



powerful

intelligent

secure



Digital Video Recorder Software

March Networks™ Digital Video Recorder (DVR) Software is a powerful suite of tools that enables users of digital CCTV systems to perform a range of tasks in diverse security applications including retail, banking, transportation, education, healthcare, government and facilities management.

Advanced Features

- Remote configuration and management
- Automatic health status monitoring
- User-definable camera settings
- Real-time viewing with multi-screen display
- Advanced video search and retrieval tools
- Shuttle control for rapid scanning
- Video data encryption and authentication seal
- Immediate notification of events or status alarms

March Networks DVR Software provides users with a versatile set of client tools, enabling network administrators and IT managers to configure and control an entire networked system efficiently, and helping installers and system integrators to provision and test new installations rapidly. By providing centralized management of an entire system, using a single set of software tools for the whole range of March Networks DVR products, this software makes system-wide upgrades simple and automated.

Multi-user capability for both large and small installations ensures immediate access to live and recorded video. Built-in system security ensures that only those authorized by the system administrator can view and retrieve video. High scalability ensures that extra DVRs and cameras can be added to any installation simply, allowing easy expansion.

Versatile DVR Control

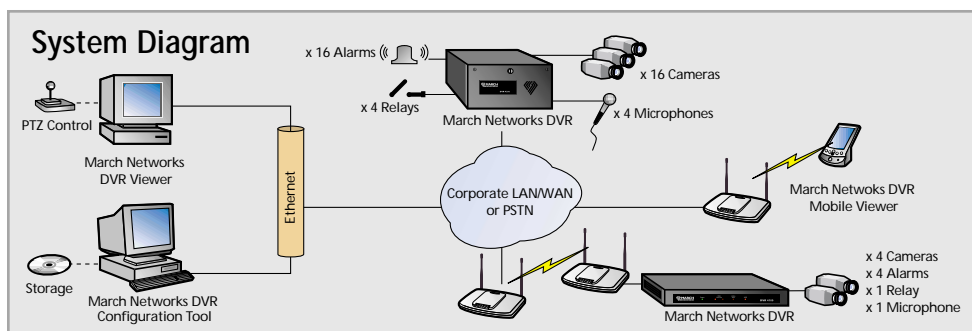
- DVR Configuration Tool – system management, administration and viewing
- DVR Viewer – video search, retrieval and monitoring
- DVR Mobile Viewer – PDA-based video monitoring
- DVR Player – video playback
- POS Software¹ – retail transaction monitoring

The March Networks DVR Configuration Tool and March Networks DVR Viewer applications are core to all March Networks digital video systems. The DVR Configuration Tool manages any number of DVRs, and has the ability to recognize any new DVR added to an IP network automatically. Using this Tool, administrators can configure devices connected to the DVR easily, including video inputs, audio inputs, alarm inputs and peripheral devices.

The DVR Viewer is a user-friendly application that enables users to view live video, with associated audio, and to search recorded video from any DVR. Advanced video search and retrieval tools allow searching on alarm, time/date, transaction data, or activity — enabling instant retrieval of video at any time from any point on the network. The DVR Player enables video playback and authentication of clips distributed to external parties such as law enforcement agencies and the judiciary.

¹ See the March Networks brochure, *Digital Video Solutions for the Retail Industry*

Technical Specifications



DVR SOFTWARE

RELEASE 3.1

	DVR Configuration Tool	DVR Viewer	DVR Mobile Viewer	DVR Player
Primary Application	Administration & Management	User Client	PDA Client	Video Playback
Video Playback	✓	✓	✓	✓
Multi-Window Viewing	1-16	1-16	1	1-16
Video Authentication	✓	✓		✓
Real-Time Viewing	✓	✓	✓	
Search and Retrieval of Recorded Video	✓	✓	✓	
Monitor Video on Alarm		✓		
Copy, Save and Print Images	✓	✓		✓
View Audit Log	✓			
DVR Health Status Monitoring	✓			
Remote Configuration and Upgrade	✓			
System Access	Unrestricted for administrators, none for other network users	Restricted, administrator defined	Limited to viewing only	None
System Deployment	Typically 1-5 per networked system for administrators and managers	Multi-user for selected staff, plus at each remote location	Mobile users with wireless access	Freely distributable

Video Recording H.263 video compression; average image file size ~1KB/frame. Administrator defined video transmission bandwidth.

Recording Modes Continuous, pre and post-alarm, ATM transaction, schedule, motion detection

Display Modes 1-16 channel real-time, instant replay, playback on alarm, time/date, transaction

Video Search On alarm, event, video motion detection, activity scan, date/time with time zone reference, ATM transaction No. with card No. and amount

Video Export Export JPEG or BMP images and security sealed¹ AVI clips with time/date stamp

Network Interface Ethernet: RJ-45 100BaseT main connection
PSTN: optional modem/terminal adapter interface
DHCP enabled. Optional SNMP configuration

Time Zone Support Configure and search using local or remote time zones

Software Compatibility Compatible with all March Networks DVRs and VTUs

MINIMUM SYSTEM REQUIREMENTS:

DVR Configuration Tool and DVR Viewer Pentium II/450 MHz or equivalent;
Windows®95/98/NT®/ME/2000/XP; 128 MB RAM;
24X IDE CD-ROM drive; 50 MB free disk space. DirectX recommended

DVR Mobile Viewer Pocket PC 32 MB RAM; Windows CE

DVR Software Ordering Information (Release 3.1)

Part No.	Description
12512	DVR Configuration Tool ²
12510	DVR Viewer ²
12816	DVR Mobile Viewer

² DVR Player included

¹ SHA (Secure Hash Algorithm) of Digital Signature Standard [U.S. FIPS PUB 180-1, 1995]

© 2002. March Networks Corporation. All rights reserved. 2772
Information in this document is subject to change without notice. MARCH NETWORKS and the MARCH NETWORKS logo are trademarks of March Networks Corporation. Windows and Windows NT are registered trademarks of Microsoft Corporation in the United States and/or other countries. All other trademarks are the property of their respective owners. Printed in Canada PN 060-0913-00-B



March Networks
Corporate Headquarters
Tower B, 555 Legget Drive
Ottawa, Ontario Canada
K2K 2X3 1 800 563 5564

North America: 1 800 563 5564
Latin America: 613 591 8181
Europe, Middle East and Africa: +44 1 291 436027
Asia Pacific: +852 2508 9780