

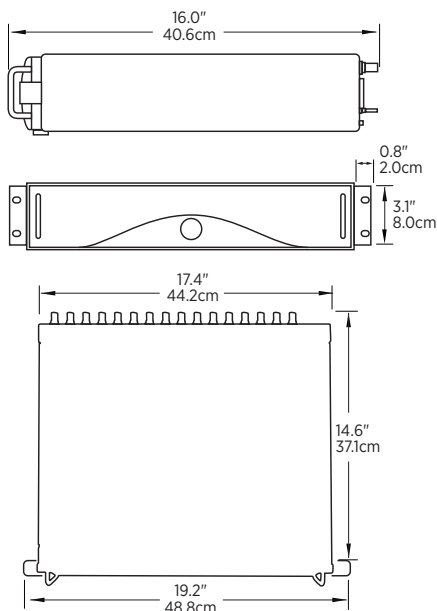
6732 Series Hybrid NVR

32-Channel Recording Platform



The **32-channel Hybrid NVR** from March Networks® delivers video that's always there when you need it, and the advanced tools that allow you to quickly find the evidence you need. Get your job done faster — from installation to investigation — with this appliance-based hybrid NVR as the backbone. This recording platform reinforces our reputation for manufacturing the most robust, reliable, and feature-rich recorder on the market, and allows you to migrate from 100% analog to 100% IP video at your own pace.

From the small, local-control user with just a few cameras, who does not want to connect the recorder to a network... to the largest enterprise user with globally dispersed sites and thousands of recorders... this platform offers a solution that will feel tailor-made to fit each unique application.



Key Benefits

- ▼ **Meets privacy guidelines.** Privacy protection features, such as privacy masking, operator access restrictions, and the ability to delete archived video clips, complies with video surveillance guidelines across Europe and the Middle East.
- ▼ **Embedded, Linux-based, and purpose-built.** Spend more time performing investigations and less time dealing with maintenance issues that can plague a PC-based recorder.
- ▼ **All camera licenses included.** No need to pay for separate channel licenses; benefit from a full-featured recording platform right out of the box.
- ▼ **Configurable recording policies.** Record video based on user-definable variables like schedule, motion, analytics, etc.
- ▼ **Real-time health monitoring.** Be alerted to camera, recorder and network issues within seconds.
- ▼ **Network policies for bandwidth protection.** Maximize overall system performance with features like bandwidth throttling, maximum retention settings, multi-sector archiving, and selective video recording.
- ▼ **Front panel QR code.** Use March Networks' free GURU Smartphone App to scan the recorder's QR code to check warranty status, get in-field diagnostics support, do on-site wireless provisioning, or even initiate an express RMA.
- ▼ **Recorder docking station.** Keep all connections clean and securely connected to the back of the unit for quick, easy installation of the recorder, as well as removal for service and maintenance.
- ▼ **Powerful video management software.** With March Networks Command™ Recording Software and Command Enterprise Software, you'll be equipped with the features and tools you need to easily manage your video surveillance system, including innovative search tools, mass management, Windows® Active Directory integration, and health monitoring.

Get rock-solid reliability and best-in-class features in a platform that complies with your region's privacy guidelines.

6732 Series 32-Channel Hybrid NVR

MODELS	
6732 R series	32 channels, 16 analog inputs, 25fps (PAL) / 30fps (NTSC) throughput, rack mount

VIDEO	
Analog Capacity	25fps (PAL) / 30fps (NTSC) concurrent at full 4CIF/D1 across 16 channels; 400fps (PAL) / 480fps (NTSC)
Video Compression	H.264, M-JPEG, CIF/2CIF/4CIF resolution
Analog Camera Inputs	32 maximum (with Edge 8e Encoder)
IP Camera Inputs	32 maximum
IP Camera Performance	With all analog cameras activated, 16 IP cameras are available With all analog cameras disabled, IP camera capacity = 96 Mbps (3 Mbps / camera)
Video Output	Composite or HDMI

AUDIO	
Analog Audio Inputs	4, unbalanced, 10kΩ, 1Vp-p typical
Analog Audio Outputs	2, unbalanced, 600Ω, 1Vp-p
Analog Audio Codec	G.711, 8 bit/8kHz, 64 kBit/s, unidirectional

NETWORK	
Network 1	GigE port for connection to corporate network
Network 2	GigE port for connection to camera network
Security	Industry standard TLS 1.2 with strong AES encryption, HTTPS encryption, strong hashing algorithms SHA256, continuous security vulnerability assessment
Interface	10/100/1000Base-T Ethernet (2 x RJ-45)

SYSTEMS / NETWORK MANAGEMENT	
Bandwidth Throttle	Yes (can include exceptions on a per-IP address basis)
Bandwidth Scheduling	Yes
Adaptive Bandwidth	Yes
Remote Connection	TCP/IP (IPv4)
Concurrent Remote Connections	No set limit
Internal Battery	Enables systematic shutdown; no external UPS communication required

ANALYTICS	
Included	Motion detection
Optional	Camera obstruction, field-of-view monitoring, trip wire, loitering, presence detection

STORAGE	
Internal Hard Drives	up to four 3.5" HDDs
Individual Drive Capacity	3 TB or 4 TB
Total Storage Capacity	Up to 16 TB
Drive Type	Serial ATA (SATA)
Mirroring	Yes

2-year Advance Replacement plan on all NVRs:

- Options for Repair & Return or Advance Replacement
- March Networks incurs all shipping costs—both ways—for AR's
- All NVR components are covered, including HDDs

North America 1 800 563 5564
 Latin America +5255 5259 9511
 Europe +39 0362 17935
 Asia +65 6818 0963
 Australia and New Zealand +61 1300 089 419
 Middle East and Africa +971 4 399 5525

© 2018 March Networks. All rights reserved. Information in this document is subject to change without notice. MARCH NETWORKS, March Networks Command, March Networks Searchlight, March Networks RideSafe, and the MARCH NETWORKS logo are trademarks of March Networks Corporation. All other trademarks are the property of their respective owners. 060-3208-00-E marchnetworks.com

ALARM INPUTS/OUTPUTS	
Alarm Inputs	8 current loop inputs, supporting open and closed detection
Relay Outputs	4 relay switch outputs (30VDC, 1A); programmable event driven

PHYSICAL	
Dimensions (HxWxD)	8.0 x 44.2 x 40.6 cm / 3.1 x 17.4 x 16.0 in
Mounting	2U high, 19" rack; wall mount
Weight	8.4 Kg (18.5 lbs) (with docking station) Add 0.7 Kg (1.5 lbs) per HDD

ENVIRONMENTAL	
Operating Temperature	5° to 40°C / 41° to 105°F
Heat Dissipation	Maximum 255 BTU per hour (system plus 4 hard drives)
Humidity	5% to 95% RH (non-condensing)
Storage Conditions	-40° to 70°C / -40° to 158°F

ELECTRICAL	
Internal Power Supply	115/230 VAC (auto-sensing), 2.3A, 50-60Hz
Power Consumption	75W Max

REGULATORY	
Safety	IEC60950-1 (ed.2), UL 60950-1 (ed.2), CSA C22.2 No. 60950-1-07 (ed.2)
EMC	FCC 47 CFR Part 15, Subpart 15, ICES-003, EN55022, CISPR 22, AS/NZS CISPR 22, EN61000-3-2, EN 61000-3-3, EN50130-4, EN55024
Compliance Marking	CE-mark, cULus, C-tick, WEEE

ORDERING INFORMATION	
RECORDERS	
30251-106	6732 R NVR, 1 x 3 TB
30251-107	6732 R NVR, 2 x 3 TB
30251-108	6732 R NVR, 3 x 3 TB
30251-109	6732 R NVR, 4 x 3 TB
30251-113	6732 R NVR, 4 x 4 TB
ACCESSORIES	
28181	Wall Mount Kit
36809	Edge 8e HD Encoder

