



IK7 vandal proof dome LR6022X in the L series is featuring built-in Sense up+ technology to deliver stunning video in low-light conditions. Utilizing intelligent image signal processing, 2D WDR function, AGC control, and 3D Noise Reduction, the combination successfully delivers the ultimate low-light image without motion blur. The IP66-rated housing is designed to help the camera body withstand rain and dust and ensures operation under a multitude of harsh weather conditions. Support with PoE, privacy mask, White balance, and minimum illumination 0.05 Lux at F1.4 Low Light Mode.

FEATURES :

- Full HD 2 megapixel CMOS image sensor
- True H.264 AVC/MPEG-4 part 10
- H.264 and Motion JPEG triple video streaming
- 3D noise reduction (MCTF)
- 2D WDR function
- Digital zoom supported
- Motion detection alarm function
- High efficiency IR LED, radiant distance up to 25m
- Innovative external adjustment with waterproof for zoom and focus of Vari-Focal lens
- Day & Night (IR cut removable)
- ONVIF Profile S supported

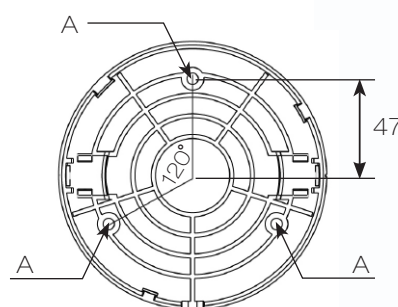
DIMENSIONS : (Unit : mm)

Ø130 x 115

Ø 130



INSTALLATION HOLE SITE DIAGRAM :



A (M3.0*25, wooden screw)

SPECIFICATION :

Name		Day & Night 1080P HD Vandal Resistant Dome IR IP Camera	
Model		LR6022EX3.6	
Lens	Focal length		3.3 – 12 mm
	Iris		F1.4
	Angle of view	H	79.3° – 29.8°
		V	59.4° – 22.4°
D		99° – 37.3°	
Pick up element		1/2.7" CMOS image sensor	
Effective pixels		1920 (H) x 1080 (V) = 2,073,600 (pixel)	
Scanning system		Progressive Scan	
Infrared cut filter		Auto / Schedule / Day (Color) / Night (Mono)	
Min. illumination		0.05 Lux at F1.4 (Low Light Mode) / 0 Lux with IR LED ON	
White balance		Auto / Tungsten / Indoor / Fluorescents1 / Fluorescents2 / Outdoor1 / Outdoor2	
Back light compensation		Off / On	
Electronic shutter		1/30(1/25)s – 1/8000s	
Sense up		Off / 1 Frame / 2 Frames / 3 Frames / 7 Frames	
Sense up +		Yes	
Auto gain control		36 dB Variable Gain	
3D Noise Reduction		Off / 1 – 32 Selectable	
2D WDR		Off / Auto / x2 / x3 / x4	
Privacy masking		Off / On (4 zones)	
Image effects		Brightness, Contrast, Hue, Saturation, Sharpness, Mirror, Flip	
IP rating		IP66	
Vandal resistant rating		IK7	
Infrared LED	Peak wavelength		850nm
	Beam spread		30°
	Radiant distance		25M
Operating temperature		-40°C – +50°C (-40°F – 122°F)	
Dimension		Ø 130 x 115mm	
Weight		1000g	
Power supply		DC12V ±10% / PoE (IEEE 802.3af compliant)	
Power consumption		DC12V, 9W / PoE, 10.2W	

Network			
Video compression		H.264 , Motion JPEG	
Resolution		1080P(1920 x 1080), 720P(1280 x 720), D1(720 x 480), CIF(352 x 240)	
Multiple profile	Profile #1	H.264 : up to 15 fps @ 1920 x 1080 , 30fps @ 1280 x 720 , 30fps @ 720 x 480	
	Profile #2	Motion JPEG : up to 15 fps @ 1920 x 1080 , 30 fps @ 720 x 480 , 30 fps @ 352 x 240	
Video streaming		RTP/HTTP, RTP/TCP, RTP/UDP, Multicast	
Video bitrate		128Kbps – 8Mbps	
		Frame rate and bit rate controllable on-the-fly	
		VBR / CBR / GOP supported	
Security		Base64 HTTP encryption	
		Multiple user access levels with password protection	
		10 user accounts available	
Users		8 simultaneous users	
ePTZ & digital zoom		Yes	
OSD		Text overlay for date, time, and camera name	
Alarm functions		Image upload over FTP and E-mail by motion detection	
CPU, memory		Embedded SoC ARM11, 528MHz, 256MB DDR2, 256MB flash memory	
Maintenance		Firmware update via HTTP	
		Firmware available at web site	
Network interface		10Mbps / 100Mbps Base-T, RJ-45	
PC requirement		OS : Windows 2000, Windows XP, Windows Vista, Windows 7, Windows 8	
		Browser : Windows Internet Explorer 6.0 or above	
		CPU : Intel Pentium 4 1.8GHz or above	
		RAM : 1GB or above, Independent Display Card	
Network protocols		IPv4, IPv6, TCP, UDP, HTTP, SMTP, NTP, DDNS, UPnP, FTP, ARP, DHCP, PPPoE, DNS, RTSP, RTCP, Telnet, ICMP, IGMP, ONVIF Profile S, SNMP, SIP, Bonjour	
Mobile phone		iPhone, iPad, and Android support	
System integration		ONVIF & LILIN HTTP API	
Central management system		NAV 1.0 support	
Video display		LILIN Universal ActiveX & LILIN Java Applet	
OS		Embedded Linux 2.6.32	

