

# JVC®

1/3" CCD COLOUR VIDEO CAMERA

**TK-C9200E(EX)** (24VAC/12VDC)

**TK-C9201EG(EX)** (220-240VAC)

**TK-C9300E(EX)** (24VAC/12VDC)

**TK-C9301EG(EX)** (220-240VAC)



## SuperLoLux 2™

COLOUR IN VIRTUAL ZERO LUX



**When the light fails,  
our cameras won't.**

Lens not included



### ■ High-Resolution of 600 TV Lines

High-performance 14bit processing DSP in its second generation enables industry-leading high quality pictures

### ■ Super LoLux 2™ Sensitivity with IR Cut Filter\*

0.05 lx at colour mode (50% video level, F1.2, AGC HIGH)  
0.006 lx at B&W mode (50% video level, F1.2, AGC HIGH)

### ■ Industry-leading S/N Ratio of 52dB

### ■ ExDR Plus – Advanced Wide Dynamic Range\*

JVC-original technology to reproduce clearer images for both bright and dark areas

### ■ 3D Noise Reduction

Powerful system to reduce noise in dark environments

### ■ Up to 128x of Slow Shutter

Increases visibility even in low light situations

### ■ Area White Balance

New function that can apply Auto White Balance to a specific area

### ■ Black Level Adjustment

Intelligent adjustment for dark areas to provide images without black out

### ■ Easy Installation with Well-Conceived Menu

Combination of DIP switch and built-in Menu makes detailed settings simple and easy

### ■ Variety of Functions for Precise Monitoring

- Automatic Gain Control (AGC)
- 4 Area Patterns for Backlight Compensation (BLC)
- Manual and Auto Tracking White Balance
- 1.4x/2.0x Digital Zoom
- Privacy Mask for protecting against intrusive monitoring
- Display Mode Selection for CRT and LCD
- AUX Terminal\*
- CCD White Spot Compensation
- Focus Adjustment Mode for accurate focusing
- 24VAC/12VDC Dual Voltage or 220V–240VAC selectable

### ■ Eco-Friendly Super Low Power Consumption

Approx. 40% lower than conventional models

\* TK-C9300E(EX)/C9301EG(EX) only



# Reliable Day & Night Surveillance with High-Resolution Images and Precise Colour Reproduction

## Super LoLux 2™ "COLOUR IN VIRTUAL ZERO LUX"

This camera has been designed to assure precise colour reproduction in low light situations. It is possible to identify image colours in much darker places.



Normal camera

JVC Super LoLux™

## ExDR Plus (TK-C9300 Series only)

ExDR (Extended Dynamic Range) Plus function is able to clearly display people and characters in the foreground even when they're up against an extremely brightly lit background. And to make the dark parts of the image more clearly visible, it combines Dual Shutter with AGC function to achieve optimal image quality throughout the entire picture.

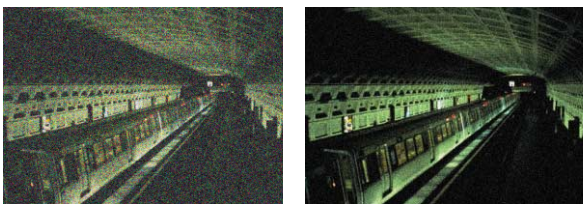


Normal image

ExDR Plus

## 3D Noise Reduction (3DNR)

3DNR is the powerful method to improve image quality even though it's shot in the dark. Noise data is detected by comparing some continuous frames and reduced by blending it into other frames over time.



Normal

3DNR

## Area White Balance

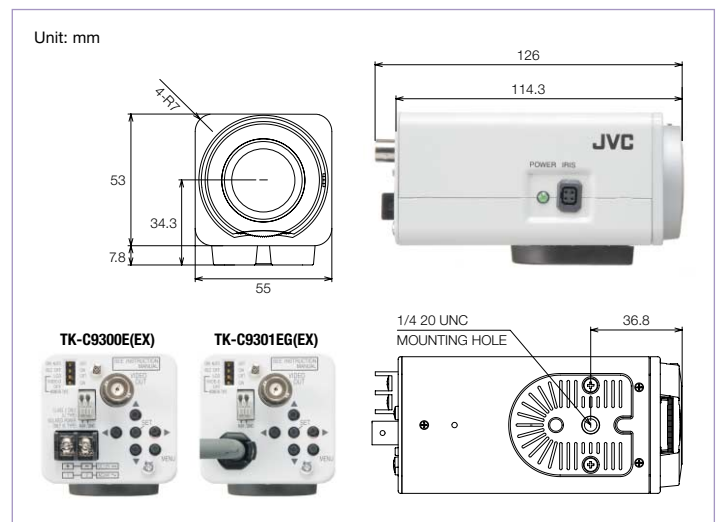
Auto White Balance can be applied to a designated area. With this, colour casting can be prevented by setting the white balance within an area while avoiding strong colour zones.

## Specifications

|                                | TK-C9200E(EX)/TK-C9201EG(EX)  | TK-C9300E(EX)/TK-C9301EG(EX)                                     |
|--------------------------------|---|--|
| Signal system                  | PAL   |  |
| Image device                   | 1/3 type IT CCD   |  |
| Number of effective pixels     | 440,000 (752H x 582V)   |  |
| Sync system                    | Internal  |  |
| Scanning system                | 2:1 interlace, 625 lines  |  |
| Scanning frequency             | 15.625kHz (H), 50Hz (V)   |  |
| Video output                   | Composite video signal: 1.0V (p-p), 75 ohms (BNC)   |  |
| Video S/N ratio                | 52 dB (AGC off)   |  |
| Horizontal resolution          | 600 TV lines*   |  |
| Minimum illumination (typical) | 0.05 lx (50%, F1.2, AGC HIGH)<br>0.025 lx (25%, F1.2, AGC HIGH)   |  |
| B&W mode                       | 0.03 lx (50%, F1.2, AGC HIGH)<br>0.015 lx (25%, F1.2, AGC HIGH)   | 0.006 lx (50%, F1.2, AGC HIGH)<br>0.003 lx (25%, F1.2, AGC HIGH) |
| Iris control                   | DC iris   |  |
| White balance                  | ATW (wide/narrow) / AWC / Manual<br>(ATW colour temp. range 2300K to 10,000K)                                   |  |
| Day/Night                      | Easy D/N  | True D/N with IR cutoff filter                                   |
| Wide dynamic range function    | -   | ExDR Plus (by dual shutter)                                      |
| 3DNR                           | NORMAL / HIGH   |  |
| Display mode (Monitor type)    | LCD1/LCD2/CRT   |  |
| BLC                            | off/on (4 patterns)   |  |
| AGC                            | OFF/MID/HIGH  |  |
| Sens-up                        | off / x2 to x128  |  |
| Digital zoom                   | x1, x1.4, x2  |  |
| Motion detect                  | off/on  |  |
| Privacy mask                   | 4 areas   |  |
| Focus adjustment mode          | Yes   |  |
| Lens mount                     | CS  |  |
| AUX (Alarm terminal)           | -   | 1  |
| Power supply                   | TK-C9200E(EX)/TK-C9300E(EX): 24VAC (50Hz/60Hz) / 12VDC<br>TK-C9201EG(EX)/TK-C9301EG(EX): 220-240VAC (50Hz/60Hz) |  |
| Power consumption              | TK-C9200E(EX): 190 mA, TK-C9300E(EX): 220 mA<br>TK-C9201EG(EX): 35 mA, TK-C9301EG(EX): 40 mA                    |  |
| Operating temperature range    | -10°C to 50°C (0°C to 40°C recommended)   |  |
| Dimensions (WxHxD)             | 55mm x 61mm x 126mm   |  |
| Weight (approx.)               | TK-C9200E(EX) / TK-C9300E(EX): 270g<br>TK-C9201EG(EX) / TK-C9301EG(EX): 470g                                    |  |

\* Tamron M13VM246 at wide angle

## Dimensions



Note: Screen images are explanatory purpose and not actual images attained using this product. All brand or product names may be trademarks and/or registered trademarks of their respective owners. Copyright © 2011, Victor Company of Japan, Limited. All Rights Reserved.

# JVC®

DISTRIBUTED BY

Design and specifications subject to change without notice.