

ULTRA RANGE



IndigoVision



# HD Ultra Minidome Camera

Capture every detail with ultra-high resolution

With best in class performance, the IndigoVision HD Ultra Minidome Camera delivers rich, Full HD video and image clarity, in all lighting conditions. IndigoVision's SMART.core™ technology gives highly optimised H.265 compression, reducing storage costs by up to 95%.

## Key Features

SENSOR

|    |           |           |     |
|----|-----------|-----------|-----|
|    |           |           |     |
| HD | Day/Night | Low Light | WDR |

COMPRESSION

|       |       |             |     |
|-------|-------|-------------|-----|
|       |       |             |     |
| H.265 | H.264 | UP TO 60fps | AAC |

INTELLIGENCE

|     |      |           |                  |
|-----|------|-----------|------------------|
|     |      |           |                  |
| ACF | ACF+ | Analytics | Motion Detection |

OTHER

|     |      |       |                |
|-----|------|-------|----------------|
|     |      |       |                |
| DNA | PoE+ | ONVIF | CyberVigilant® |

PHYSICAL

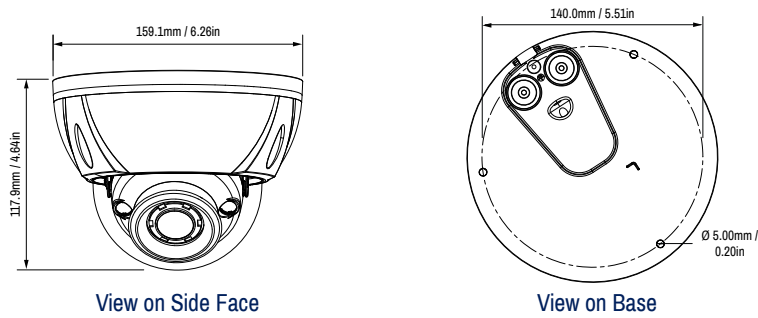
|         |      |          |           |    |
|---------|------|----------|-----------|----|
|         |      |          |           |    |
| Outdoor | IK10 | Low Temp | High Temp | IR |

## Product Codes

| U2410 Minidome Cameras                        | Product Code |
|---|--------------|
| HD Ultra Minidome Standard Lens, 4.1mm-16.4mm | 710460       |
| HD Ultra Minidome Telephoto Lens, 7mm-35mm    | 710461       |



# Dimensions



# Specification

| Camera Features                    | Standard   | Telephoto  |
|------------------------------------|--|--|
| Sensor                             | 1/1.9" Progressive CMOS  | 1/2.8" Progressive CMOS  |
| Active Pixels (HxV)                | HD (1920 x 1080)   |  |
| Minimum Sensitivity                | Day: 0.01 Lux (color). Night: 0.001 Lux (mono). 30IRE, F1.53, 1/30s shutter  | Day: 0.03 Lux (color). Night: 0.003 Lux (mono). 30IRE, F1.4, 1/30s shutter   |
| Dynamic Range                      | WDR > 120dB  | WDR > 140dB  |
| Gain Control                       | Auto/Manual  |  |
| Back Light Compensation            | Off/BLC/HLC/WDR/SSA  |  |
| White Balance Mode                 | Auto / Natural / Street Lamp / Outdoor / Manual / Regional Custom  |  |
| Day/Night                          | True Day/Night with Mechanical IR Cut Filter   |  |
| IR Illuminator                     | Built-in IR Illuminator 850nm wavelength, effective distance >50m  | Built-in IR Illuminator 850nm wavelength, effective distance >100m   |
| Video Resolution                   | 1920x1080 pixels (HD); 1280x960 pixels (1.3MP); 1280x720 pixels (720p); 704x576 pixels (D1); 704x480 pixels (D1) 352x288 pixels (SIF); 352x240 pixels (SIF); 640x480 (VGA)                               |  |
| Signal/Noise Level                 | > 50dB   |  |
| Lens Options                       | 4.1mm – 16.4mm, Horizontal view angle 92° (W) 32° (T), F1.53, Remote Zoom/Focus  | 7mm - 35mm Horizontal view angle 34° (W) 11° (T), F1.4, Remote Zoom/Focus  |
| Zoom                               | 4x optical   | 5x optical   |
| Iris Control                       | Auto Iris  |  |
| Shutter                            | Rolling; Auto from 1/3 - 1/100,000 sec   |  |
| Exposure Control                   | Auto / Gain Priority / Shutter Priority / Aperture Priority / Manual   |  |
| Gimbal Adjustment                  | 3 axis adjustment  |  |
| Video Compression                  | Full frame rate, full color: H.265 <sup>^</sup> ; up to 30fps, H.264/MJPEG; up to 60fps  |  |
| Video Bit Rate                     | User-configurable from 24Kbps up to 10Mbps   |  |
| Privacy Zones                      | 4 User Defined   |  |
| Video Multi-Streaming              | Up to 32Mbps total video output; Unlimited multicast connections; Up to eight 4Mbps unicast connections  |  |
| Video Multi-Encoder                | Up to two simultaneous resolutions with guaranteed frame rate including: up to 1080p (60fps) plus up to 1080p (60fps) or lower   |  |
| Video Analytics                    | ACF, ACF+, Motion Detection, Tripwire, Intrusion, Abandoned Object, Missing Object, Scene Change, Video Tamper, Defocus Detect, Face Detection   |  |
| Intelligence                       | People Counting, Heat Map  |  |
| Audio Compression                  | G.711Mu/AAC  |  |
| Audio Bit Rate                     | 16-96Kbps per channel  |  |
| Audio Dual Encoder                 | Main Stream: 1 Stream Configuration plus Sub Stream: 1 Stream Configuration  |  |
| Audio Resolution                   | G.711Mu 8 KHz sample rate, AAC is configurable with options 8, 16, 32 and 48 KHz   |  |
| Audio Analytics                    | Audio Input Abnormal, Audio Intensity High   |  |
| Audio Input                        | Line in, terminal block connector  |  |
| Audio Output                       | Line out, terminal block connector   |  |
| Binary Input/Output                | 1 Pull up input for non powered contacts; 1 Solid state open collector output, Max 30V DC 1A/ 50VAC 0.5A   |  |
| Network Interface                  | IEEE802.3 and IETF standards: 100/1000 Base-T Ethernet, IPv4/IPv6, TCP, UDP, RTP, RTSP, ICMP, IGMP, SNMP, HTTP, HTTPS, PPPoE, uPnP, QoS, DHCP  |  |
| Network Security                   | HTTPS, IP Filter, IEEE 802.1x  |  |
| CyberVigilant® Technology          | Yes  |  |
| Time                               | Embedded real-time clock, NTP client   |  |
| SD Storage                         | microSDXC upto 128GB support (card not included)**   |  |
| Dimensions/Weight                  | 159.1mm (dia.) x 117.9mm (h) and 1.75Kg / 6.26in (dia.) x 4.64in (h) and 3.86lb  |  |
| Regulatory                         | EN 55032, EN 50130-4, EN 55024, EN 61000-3-2, EN 61000-3-3, CFR47 part 15 Subpart B, UL60950-1, EN60068-2-6, EN 60068-2-64, EN 60068-2-27, EN 60068-2-1, EN 60068-2-2, EN 60068-2-30, EN 60529, EN 62262 |  |
| Housing                            | Diecast aluminium alloy with polycarbonate dome  |  |
| Protection Rating                  | IP67, IK10   |  |
| Electrical                         | PoE+ (802.3at Class 4) or 12V DC @1.33A/ 24V AC @ 0.71A max<br>Camera only (-10°C to +60°C): PoE / 10.8W<br>Camera including Heater (-40°C to +60°C): PoE+ / 16.0W                                       | PoE+ (802.3at Class 4) or 12V DC @1.42A/ 24V AC @ 0.75A max<br>Camera only (-10°C to +60°C): PoE / 12.6W<br>Camera including Heater (-40°C to +60°C): PoE+ / 17.1W |
| Operating Temperature              | PoE: -10°C to 60°C (14°F to 140°F)*<br>PoE+ / External PSU: -40°C to 60°C (-40°F to 140°F)   |  |
| Cold Start                         | -20°C (-4°F)   |  |
| IndigoVision Software Requirements | Control Center v15.4 or later  |  |
| Supported Internet Browsers        | Internet Explorer v11.0 or later   |  |
| ONVIF                              | Profile S  |  |

\* If operating temperature drops below -10°C then heater will operate and PoE+ power or External PSU is required. \*\* SDCard Storage independent of IndigoVision's NVRs. ^ H.265 requires Control Center 16.0 or later.