

## Box camera

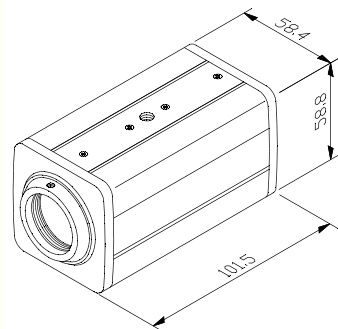


# HTC-65GOS HI-RESOLUTION OSD CCD CAMERA

### FEATURES

- On Screen display configuration menu
- Camera ID up to 16 characters, position adjustable.
- White Balance: ATW, AWB, ATW speed, detect area
- Remote Control (HTK-01FR) - through video cable beyond 200 meters
- More than 480 TV lines
- Auto switching to monochrome under low light condition
- Synchronization system selection, phase adjustment
- Picture control, video, gamma
- Color pattern generator

### INTERFACE



	HTC-65GOS	HTC-65GOSEV
Pick-up Device	1/3" CCD image sensor	
Picture Elements (Hi-ves)	NTSC: 768*494, PAL: 752*582	
H. Sync Frequency	NTSC:15.734 KHz, PAL:15.625 KHz	
V. Sync. Frequency	NTSC:59.94 Hz, PAL:50 Hz	
Synchronization	Internal/DC type, Line-lock/AC type (option)	
Horizontal Resolution (TV lines)	480	
Sensitivity	1 Lux	0.05 Lux
Back Light Compensation	Adjustable for 4 areas	
Electronic Shutter	ON/OFF Adjustable, Rang:1/50(1/60) ~ 1/100,000 sec.	
Gain Control	ON/OFF Adjustable	
Lens	CS Mount	
Gamma Correction	ON/OFF Adjustable	
S/N Ratio	More than 52 dB	
Video Output	1 Vp-p, 75 Ohms	
Dimension W*H*D mm	58.4*58.8*101.5	
Power Supply	12VDC/24VAC dual mode	
Power Consumption	240mA for DC12V, 4W for AC24V	
Weight gr	DC: 270, AC:500	
Storage Temperature	-30°C ~ +60°C	
Operating Temperature	-10°C ~ +45°C	

SPECIFICATIONS ARE SUBJECT TO CHANGE WITHOUT NOTICE

**Special Price for Over 10Pcs (Inclusive),  
Please Contact:020 8965 0111 or E-mail:sales@huntelec.co.uk**

MODEL	DESCRIPTION
HTC-65GOS	1/3"hi-res. colour OSD camera, CS mount, 480 TV lines, 1 Lux, AC230V, Sony chips
HTC-65GOS/NV	1/3" hi-res. colour OSD camera, CS mount, 480 TV lines, 1 Lux,night vision, AC230V, Sony chips(IR Acceptible)
HTK-01FR	Remote controller of HTC-65GOS



Remote controller (HTK-01FR)

## Box camera



HTC-900



# HTC-38 / HTC-900 SERIES CCD CAMERA

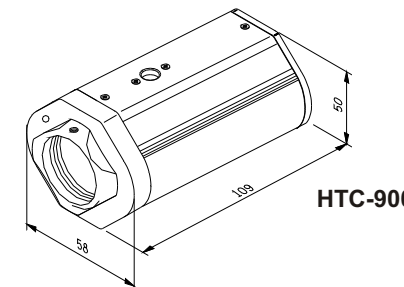
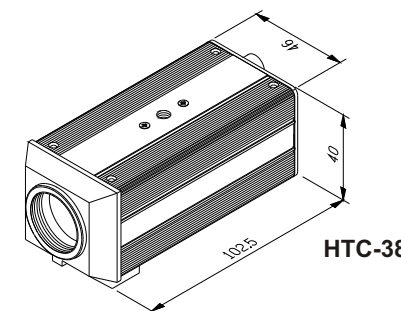
### FEATURES

- Economical type
- Auto white balance
- Auto electronic up to 1/100,000 sec.
- Night vision available for colour camera
- High resolution CCD camera

	MONOCHROME	COLOUR
Pick-up Device	1/3"or 1/4" CCD image sensor	
Picture Elements (Medium)	NTSC/EIA:512*492, PAL/CCIR: 512*582	
H. Sync Frequency	NTSC/EIA:15.734 KHz, PAL/CCIR:15.625 KHz	
V. Sync. Frequency	NTSC/EIA:59.94 Hz, PAL/CCIR:50 Hz	
Synchronization	Internal/DC type, Line-lock/AC type (option)	
Horizontal Resolution (TV lines)	420	380
Back Light Compensation	ON/OFF Switchable	
Electronic Shutter	ON/OFF Switchable, Rang:1/50(1/60) ~ 1/100,000 sec.	
Gain Control	ON/OFF Switchable	
Lens	CS Mount	
Gamma Correction	0.45	
S/N Ratio	More than 48 dB	
Video Output	1 Vp-p, 75 Ohms	
Dimension W*H*D mm	58*50*109	
Power Supply	12VDC, 24/110/230VAC	
Power Consumption	125mA at DC power	180mA at DC power
Weight gr	DC: 230, AC:440	
Storage Temperature	-30°C ~ +60°C	
Operating Temperature	-10°C ~ +45°C	

SPECIFICATIONS ARE SUBJECT TO CHANGE WITHOUT NOTICE

### INTERFACE



Model	Image	B/W	Color	DC	AC	Med-res.	Sensitivity (F1.2)	Chips
HTC-95N	1/4"		○	○		○	1 Lux	Sharp
HTC-383		○		○	○	○	0.1 Lux	Sony
HTC-38M			○	○		○	1 Lux	Sharp
HTC-95N			○	○			1 Lux	Sharp

**Special Price for Over 10Pcs (Inclusive),  
Please Contact:020 8965 0111 or E-mail:sales@huntelec.co.uk**

MODEL	DESCRIPTION
HTC-383	1/3" med-res. B/W box camera, CS mount, 420 TV lines, 0.1 Lux, DC12V, Sony chips
HTC-38M	1/3" med-res. colour box camera, CS mount, 380 TV lines, 1 Lux, DC12V, Sharp chips
HTC-95N	1/4" med-res. colour box camera, CS mount, 380 TV lines, 1 Lux, DC12V, Sharp chips