

Fusion III v3.6 DVR Series

BRIDGING THE GAP BETWEEN ANALOGUE, IP AND INTELLIGENT VIDEO

The Fusion III DVR Series expands beyond the analogue DVR role. It is a full featured hybrid digital recording system that bridges the gap between DVRs and NVRs. The system is designed to record, search and transmit up to a total of 32 channels of analogue and digital IP video sources, up to 16 channels of audio, and a single channel of data. Firmware release v3.6 adds many new enhancements that improve performance and make Fusion easier to operate and more effective.

Fusion III v3.6 introduces advanced IP camera integration, Smart Motion search, enhanced logging and Microsoft Active Directory integration. Because Fusion III v3.6 provides full in-depth integration of Honeywell IP cameras, operators can discover and add Honeywell IP cameras from a single interface. Additional features such as integrated camera-based motion detection for Honeywell's HCX Megapixel applications, and sensor and audio input management on EQUIP™ are supported in a dynamic new way.

Fusion III v3.6 also provides integration with Honeywell Automatic Number Plate Recognition (ANPR) and Honeywell intelligent video analytics; Active Alert®, Smart Impressions® or People Counter. These licensed analytics options automatically detect, analyse and classify the behaviour of people and vehicles in a scene; greatly increasing event detection accuracy while virtually eliminating false alarms. Instantaneous history of scene activity against user-selected parameters enable fast interactive searches on site and/or remotely.



Market Opportunities

The cost effectiveness and wide variety of analogue camera sources along with the very fast development of digital IP sources have made hybrid DVRs very desirable. Market acceptance of Fusion in educational, municipal and corporate campus environments, retail and hotels and resorts has been high, and further enhancements to ease of use and support of digital IP sources create unsurpassed value for the user.

Features

Hardware

- Analogue and IP recording up to a total of 32 channels
- Up to 16 channels digital IP
- Available with 8, 16 or 32 looping video inputs
- Global recording rates from 100 to 400 at CIF resolution (PAL)
- Recording resolutions up to 720 x 480 (4CIF)
- Real time live video viewing on the local display
- License free substitution of unused analog channels to IP channels
- Internal storage capacity from 250 GB - 4 TB
- External storage options from 1 TB to 48 TB
- 16 sensor inputs and 16 control outputs
- Optional multiplexed or switched spot outputs
- 16 channels of audio standard on select models
- 10/100 network standard with 1 Gbps option
- Keyboard control (HJZTPX) of camera selection and PTZ control
- Windows XP® Embedded operating system

Software

- User software included with each DVR
 - Fusion III Server Software** - Local User Interface
 - HFRVS Remote Software** - Connect to a single DVR
 - HFVMS Remote Management Software** - Connect to multiple DVRs
- Microsoft Active Directory® Integration
- 4/16 CH network camera support standard (requires HF3HWUPGCPU)
- Free Dynamic DNS (during the warranty period of the DVR only)
- Smart Motion, preview and index searches
- Integrated camera discovery protocol
- Integrated ANPR option
- Integrated intelligent video analytics option
- Integrated POS/ATM with Honeywell's IDM software
- Access Control integration to Honeywell's Pro-Watch® and WIN-PAK®
- Powerful API available for third party software integration

Fusion III v3.6 DVR Series

FEATURES

The powerful combination of Fusion III Server, the feature rich HFRVS and HFVMS user software suites creates a hybrid digital video recording solution that distinguishes Fusion III DVR Series from the competition.

Fusion Server Software

(Included with every DVR)

- Complete local configuration and administration
- High resolution rates - Fusion is able to record up to 720 x 480 and has an image capture rate of up to 400 ips
- Instant access to information through advanced index searching capabilities and motion-based object search functionalities
- The Preview Search function gives users a quick overview of a 24-hour period. The search can be narrowed down from ten-minute increments to one-minute increments
- Option for POS integration
- Option for up to two channels of integrated intelligent video analytics
- The Fusion III Server Software gives users the option of POS integration
- Remote notification of alarm events and health check
- Multiple types of searching capabilities, including not only Preview Search, but also Smart Search and Index Search
- Supports 5 simultaneous remote connections via HFVMS and HFRVS

HFRVS Remote View Software

(Included with every DVR)

- Looks and functions in a similar manner as the Fusion Server Software
- Remotely connect to a single Fusion DVR
- Remotely search and export video from the Fusion DVR
- Control PTZ cameras that are connected to the Fusion DVR
- Microsoft Windows© 2000 and XP© and Vista compatible
- Remotely set up cameras, schedules, sensors, audio and network functions via the HFVRS Remote Software

HFVMS Video Management Software

- Complete remote configuration and administration
- Remotely monitor video, audio and alarms
- Access and export recorded video
- Create multiple customised user accounts
- Create custom live camera views
- Picture included with e-mail alert
- Connect to multiple Fusion DVRs all at one time
- Full screen pop-up on alarm
- Maps feature allows importing of .dxf, .jpg, .wmf and other formats
- Control cameras with advanced PTZ features
- POS Search Capabilities
- Live audio
- TCP/IP based

HFRVS and HFVMS Central Station Software (Minimum Workstation Requirements)

- Pentium IV 2.0 GHz+ (or Equivalent)
- 256 MB System Memory
- DirectX 8 or Higher
- AGP 128 MB Video Card
- Internet or LAN Connection
- TCP/IP Installed
- Microsoft Windows© 2000 or XP© Compatible System
- 1280 x 1024 Optimal Display Resolution
- 16 Bit Colour Depth

Microsoft, Windows 2000, Windows 2000 Server, XP Pro SP2, Vista Home, and Vista Premium are either registered trademarks or trademarks of Microsoft Corporation in the United States and/or other countries.

Performance characteristics with EQUIP™ and ACUIX™ IP cameras

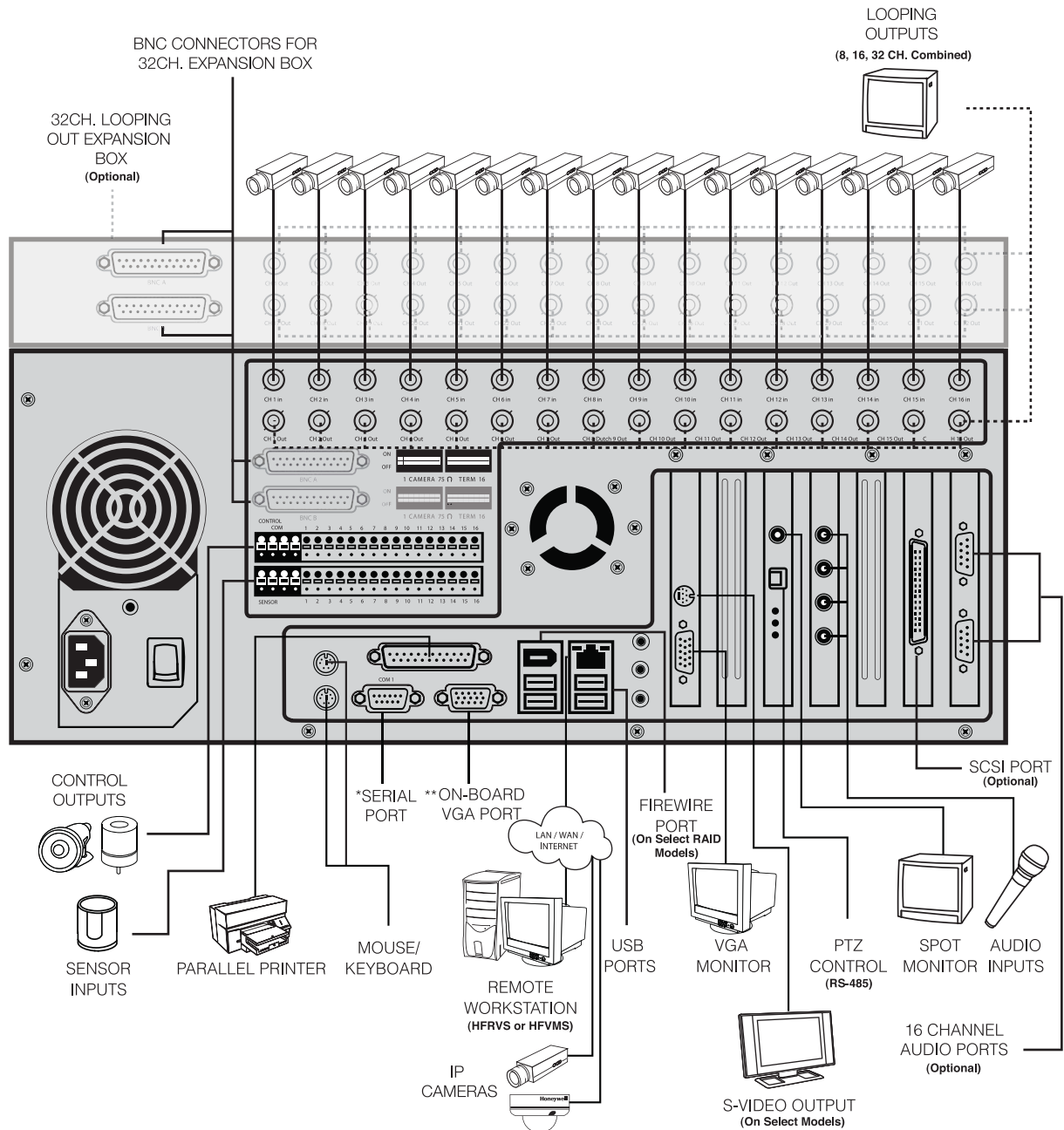
Fusion integration with EQUIP and ACUIX IP cameras currently has the following performance characteristics (with Fusion factory hardware performance upgrade – part # HF3HWUPGCPU):

- Up to 100 PAL IPS total for all connected Honeywell IP cameras @ CIF resolution
- Up to 50 PAL IPS total for all connected Honeywell IP cameras @ 2CIF resolution
- Up to 25 PAL IPS total for all connected Honeywell IP cameras @ 4CIF resolution

Note: The total number of IPS for analogue and IP cameras combined should not exceed the IPS rating on the unit.

Fusion III v3.6 DVR Series

SYSTEM DIAGRAM



SYSTEM DIAGRAM NOTES

* Serial Port 1:

DB9 (M) RS-232 only; used for data input, Point of Sale or PTZ control with an additional code conversion device

** On-Board VGA Port:

Used only with 16 Channel 100 PPS Real Time (No VGA Card Used with listed models)

Fusion III v3.6 DVR Series

SPECIFICATIONS

Fusion Specifications (400 ips)		400 - 32 Ch.	400 - 16 Ch.	
Analogue Inputs		32	16	
Looping Outputs		32	16	
Sensors		16	16	
Control Outputs		16	16	
Display - Live(L) or Recorded(R)		L	L	
Frame Setup - Individual(I) or Global(G)		I	I	
Resolution - Individual(I) or Global(G)		I	I	
Resolution - 720x576 (720) or 640x576 (640)		720	720	
Resolution - 720x288 (576) or 640x288 (640)		720	720	
Resolution - 360x288 (360) or 320x288 (320)		360	360	
Audio - Line In		8	16	
Spot Monitor - Multi-Screen Controllable(M)/Switched(S)		M	M	
Intensive Record - Selectable(S) or Max(M)		S	S	
USB 2.0 Ports		6	6	
Fusion Specifications (200 ips)		200 - 32 Ch.	200 - 16 Ch.	200 - 8 Ch.
Analogue Inputs		32	16	8
Looping Outputs		32	16	8
Sensors		16	16	8
Control Outputs		16	16	8
Display - Live(L) or Recorded(R)		L	L	L
Frame Setup - Individual(I) or Global(G)		I	I	I
Resolution - Individual(I) or Global(G)		I	I	I
Resolution - 720x576 (720) or 640x576 (640)		720	720	720
Resolution - 720x288 (576) or 640x288 (640)		720	720	720
Resolution - 360x288 (360) or 320x288 (320)		360	360	360
Audio - Line In		8	4	4
Spot Monitor - Multi-Screen Controllable(M)/Switched(S)		M	M	M
Intensive Record - Selectable(S) or Max(M)		S	S	S
USB 2.0 Ports		6	6	6
Fusion Specifications (100R ips)		100R - 16 Ch.		
Analogue Inputs		16		
Looping Outputs		16		
Sensors		16		
Control Outputs		16		
Display - Live(L) or Recorded(R)		L		
Frame Setup - Individual(I) or Global(G)		I		
Resolution - Individual(I) or Global(G)		G		
Resolution - 720x576 (720) or 640x576 (640)		720		
Resolution - 720x288 (576) or 640x288 (640)		720		
Resolution - 360x288 (360) or 320x288 (320)		360		
Audio - Line In		4		
Spot Monitor - Multi-Screen Controllable(M)/Switched(S)		M		
Intensive Record - Selectable(S) or Max(M)		M		
USB 2.0 Ports		6		

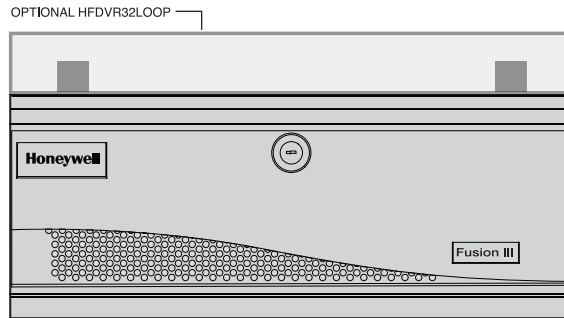
*Note: Frame Rate ÷ # of inputs = max frame rate per camera

Fusion III Server	
Remote Sessions	Maximum of 5
Video Standard	PAL: 720 x 576 max.
Image Compression	Proprietary
3~4 Kbytes Per Frame	(360 x 240)
Record/Viewing	Up to 400 ips
Internal Storage Media	250 GB to 4 TB
Video Inputs	
Composite	Analogue input: BNC 1.0 - Vp-p @ 75 Ohms
IP	MPEG-4/MJPEG stream from network
Video Outputs	
Composite	RCA connector 1.0 - Vp-p @ 75 Ohms
SVGA	15 pin D-type port for a PC monitor connection
Electrical	
Input Voltage	115 - 230 VAC, 50 - 60 Hz 10/7A
Operating Voltage	115V/230V Auto sensing
Power Consumption	465 W
Mechanical	
Dimensions	180 mm x 440 mm x 552 mm
Weight	Unit: 64 lbs (29kg) Shipping: 64 (29kg) lb to 84 lb (38kg)
Construction	Housing: Steel Chassis
Finish	Housing: Black Matte Paint
Environmental	
Temperature	Operating: 40°F to 105°F (5°C to 40°C) Storage: 14°F to 150°F (-10°C to 65°C)
Relative Humidity	Operating: 0% - 90% non-condensing
Regulatory	
Emissions	FCC Part 15, Subpart B, Class A. EN55022 + A1:1995 and A2:1997 EN61000-3-3 EN61000-3-2
Immunity	EN 55024:1998 + A1:2001 and A2:2003.
Safety U.S. and Canada International	UL, cUL Listed; UL 60950-1:2003; IEC/EN 60950-1:2001 CB report and certificate
Recording Archive	
On Board Devices	DVD-RW
Base System	
Includes	HFRVS and HFVMS Software, Keyboard, Mouse, Rack Mounts and DVD-RW, Audio In, Network Connectivity, Printer Port, USB Ports, Keyboard and Mouse PS2 Ports, RS485/232 Ports

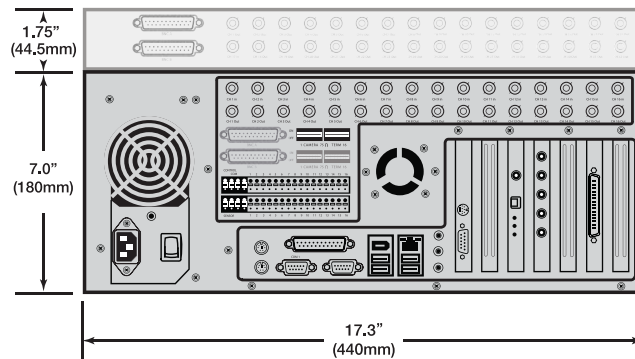
Fusion III v3.6 DVR Series

SYSTEM DIMENSIONS

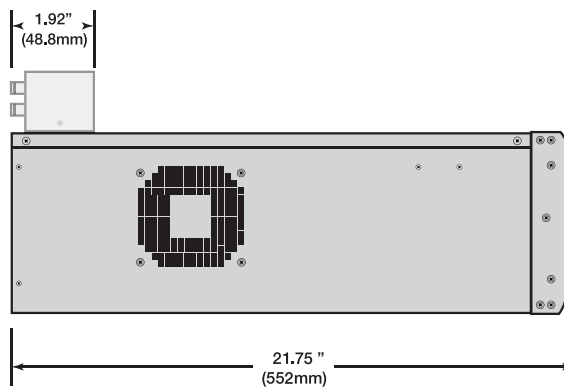
Front View



Back View

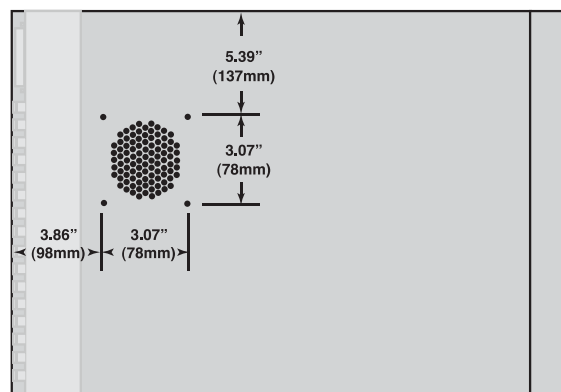


Side View



Top View

Keep Clear
(CPU EXHAUST FAN)



Fusion III v3.6 DVR Series

ACCESSORIES

Factory Installed Accessories (denoted with suffix A)	
HF3HWUPGCPU	Fusion III Hardware Performance Package Dual Core CPU & 512 MB Memory
HF3MEM512	512 MB Memory Upgrade
HF3R5	Fusion III Internal RAID5 Configuration
HFDVRR1	Internal RAID-1 Controller
HFDVRSCSI	SCSI Interface Card
HF3GBNIC	Gigabit Ethernet Upgrade MB Port
HFDVRGBNIC	Gigabit Network Interface, Adds 2nd Ethernet Port
HFDVR4VOUT	4 CH Analogue TV Output Card
HF34VOUTM	4 CH Multiplexed Analogue TV Output Card
HFDVR16AUDIO	16 CH Audio Input Card
HAABF ^{1 2}	Video Analytics Active Alert Base Package
HAASF ^{1 2}	Video Analytics Active Alert Standard Package
HAAPF ^{1 2}	Video Analytics Active Alert Premium Package
HASIF ^{1 2}	Video Analytics Smart Impressions
HAACF ^{1 2}	Video Analytics People Counter
HF3ANPRENG1 ^{1 2}	1CH of Fusion ANPR/ LPR Engine
HF3ANPRENG2 ^{1 2}	2CH of Fusion ANPR/ LPR Engine
HF3ANPRENG3 ^{1 2}	3CH of Fusion ANPR/ LPR Engine
HF3ANPRAPP1 ^{1 2}	1CH of Fusion ANPR Engine and Application Software (ANPR Review and Database)
HF3ANPRAPP2 ^{1 2}	2CH of Fusion ANPR Engine and Application Software (ANPR Review and Database)
HF3ANPRAPP3 ^{1 2}	3CH of Fusion ANPR Engine and Application Software (ANPR Review and Database)
Software Part Numbers	
HFRVS	Single Workstation Fusion Remote View Software
HFVMS	Single Workstation Fusion Video Management Software
HFVMSR	Single Workstation Fusion to Rapid Eye™ Remote Software
HF3LICDATA	1 CH Fusion Alarm Panel or POS Data License

¹ Up to 2 channels of ONE ONLY Video Analytics package OR 3 ANPR channels. All analytics and ANPR packages require Factory Performance Upgrade option. Video Analytics and ANPR options are available with 200 IPS and 400 IPS real time Fusion III v3.6 configurations only

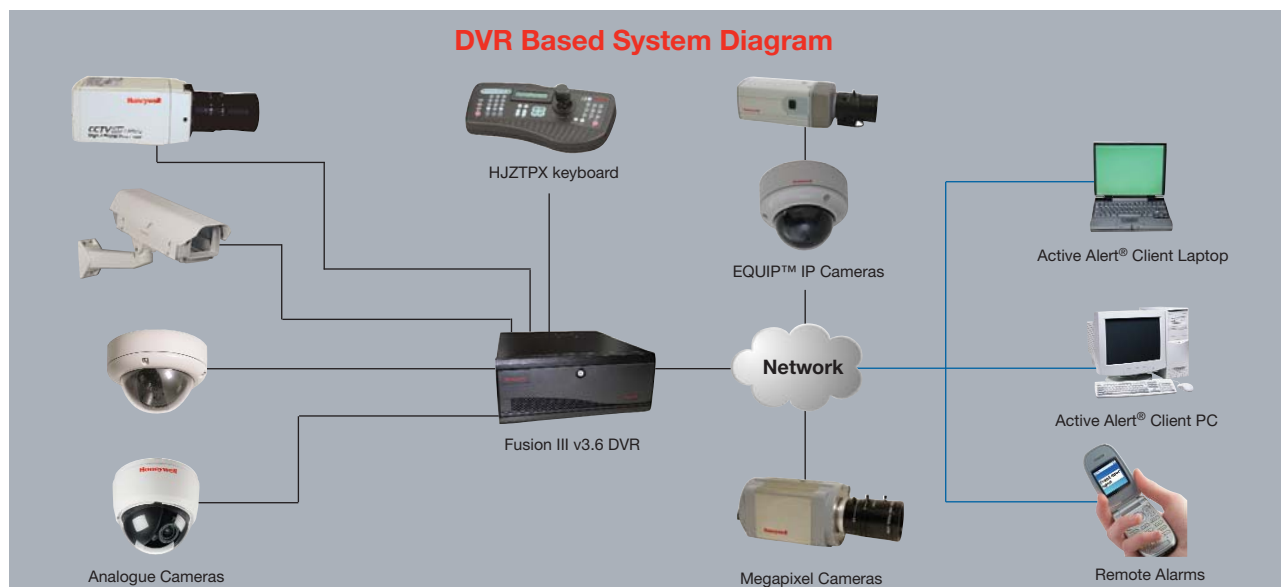
² Requires HF3HWUPGCPU

External Storage Accessories	
HE520RA4	4BAY Raid 5 - 1RU SCSI U320 Rackmount 500GB SATA II Hard Drives. 2.0TB Total Capacity
HE530RA4	4BAY Raid 5 - 1RU SCSI U320 Rackmount 750GB SATA II Hard Drives. 3.0TB Total Capacity
HE540RA4	4BAY Raid 5 - 1RU SCSI U320 Rackmount 1TB SATA II Hard Drives. 4.0TB Total Capacity
HE560RA8	8BAY Raid 5 - 2RU SCSI U320 Rackmount 750GB SATA II Hard Drives. 6.0TB Total Capacity
HE580RA8	8BAY Raid 5 - 2RU SCSI U320 Rackmount 1TB SATA II Hard Drives. 8.0TB Total Capacity
HE590RA12	12BAY Raid 5 - 2RU SCSI U320 Rackmount 750GB SATA II Hard Drives. 9.0TB Total Capacity
HE5120RA16	16BAY Raid 5 - 3RU SCSI U320 Rackmount 750GB SATA II Hard Drives. 12.0TB Total Capacity
HE5160RA16	16BAY Raid 5 - 3RU SCSI U320 Rackmount 1TB SATA II Hard Drives. 16.0TB Total Capacity
ASC39160	SCSI adapter card for controlling Raid 5 U320 systems. To be used with Fusion III DVRs

Field Installed Accessories	
HF3WUPGCPUF	Fusion III Hardware Performance Package Dual Core CPU & 512 MB Memory (Field Upgrade) - requires DVR Serial#
HFDVR32LOOP	32 Analogue Input Looping Expansion Box
HF3HD250	Fusion III 250 GB Upgrade Kit
HF3HD500	Fusion III 500 GB Upgrade Kit
HF3HD1T0	Fusion III 1 TB Upgrade Kit

NVR Software Licenses	
HF3LICNVR1	Adds 1CH of Digital IP Inputs to Fusion III
HF3LICNVR4 ²	Adds 4CH of Digital IP Inputs to Fusion III
HF3LICNVR8 ²	Adds 8CH of Digital IP Inputs to Fusion III
HF3LICNVR16 ²	Adds 16CH of Digital IP Inputs to Fusion III

Keyboard	
HJZTPX	Fusion DVR Keyboard - Controls ACUIX, HD6 and Orbiter domes.



Fusion III v3.6 DVR Series

ORDERING

Ordering

HOW TO ORDER

HF 32 40R 250 N

Accessories
N = No Accessories
A = Signifies Factory Installed Accessories

Internal Storage
250 = 250 GB Storage
500 = 500 GB Storage
750 = 750 GB Storage
1T0 = 1 TB Storage
1T5 = 1.5 TB Storage
2T0 = 2 TB Storage
3T0 = 3 TB Storage
4T0 = 4 TB Storage

Capture Rating
PAL
10R = 100 ips RTD
20R = 200 ips RTD
40R = 400 ips RTD

Number of Channels
8 = 8 Analogue Inputs
16 = 16 Analogue Inputs
32 = 32 Analogue Inputs

Model Number
HF = Honeywell Fusion DVR

Example:
HF3240R250N =
32 Analogue Inputs / 400 ips RTD
250 GB Storage / No Accessories

*RTD = Realtime Display

NOTE: Honeywell reserves the right, without notification, to make changes in product design or specifications.

For additional information,

please visit www.honeywell.com/security/uk

Honeywell Security & Data Collection

Honeywell Systems Group
Aston Fields Road
Whitehouse Industrial Estate
Runcorn
Cheshire
WA7 3DL
Tel: 08448 000 235
Fax: 01928 701 063
www.honeywell.com

HVS-F3v3.6-01-EN(0209)DS-GCSC
February 2009
© 2009 Honeywell International Inc.

Honeywell