

HD4D Series

TRUE DAY/NIGHT RUGGED FIXED DOME CAMERA

The HD4D Series provides excellent colour sensitivity and high resolution in low or variable light conditions. A True Day/Night camera that switches from colour to black and white mode based on available light, the HD4D uses a removable infrared (IR) cut filter in colour mode and an optical low-pass filter (OLPF) in black and white mode to ensure optimal image quality at any time of day. A unique Digital Slow Shutter feature increases exposure time to illuminate typically dark environments. Digital Noise Reduction (DNR) technology removes electronic static and other noise artifacts, resulting in crisp, clean images and improved motion detection performance and compression on digital and network video recorders.

The HD4D Series offers two high resolution camera options suitable for a variety of outdoor environments: HD4D3SX (3.3-12 mm VFAI lens) and HD4DAFSX (2.9-8.5 mm motorised zoom and auto focus lens that reduces installation time and service calls). Generating 600 TV lines of resolution, the HD4D Series produces sharp, clear images down to the smallest detail with outstanding accuracy.

The HD4D's solid die-cast aluminium housing and scratch-resistant 3.5 mm thick polycarbonate dome cover is built to withstand heavy external impacts and is IP66-rated for outdoor installations. The ultra rugged housing is ideal for installations where structural integrity and vandal resistance are important. In addition, the housing incorporates a heater that allows the camera to work in temperatures as low as -40°C and a breather vent that prevents condensation from forming inside the housing.

Setup is simple and quick. The HD4D housing can instantly convert to flush or surface mount on a wall or ceiling, or it can be installed directly to a 4S electrical box. The HD4D can be customised on site using the supplied second video service cable and the user-friendly on-screen display menus. The housing includes both composite and unshielded twisted pair (UTP) outputs.

Market Opportunities

The HD4D is a surveillance solution designed for object recognition in locations where low or variable light conditions exist. Setup is quick and easy and can be customized with user-friendly on-screen displays and preset modes. The compact, one-piece design allows for fast, easy installation in commercial, government, school, professional and any other quality-sensitive, high-risk environments such as prisons, airports, sea ports, and train stations.

Features

- High resolution colour: 600 TVL - 1/3" Sony Super HAD™ CCD II
- Highlight Masking Exposure (HME) masks bright spots in a scene to provide better overall clarity
- Built-in breather vent prevents condensation
- Single model instantly converts to flush or surface mount
- Coax and UTP built in (standard)
- On-screen display menu for easy setup of camera
- Built-in heater for outdoor environments
- 3.3-12 mm and 2.9-8.5 mm IR corrected Vari-focal Auto Iris lens
- 2.9-8.5 mm comes with motorised zoom/auto focus
- Local video output for setup
- Dual 12 VDC/24 VAC voltage



Shown with mounting ring for surface mount



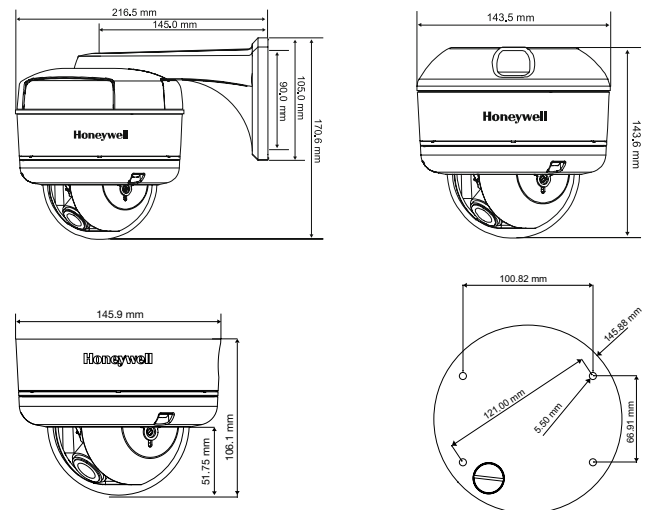
Shown without mounting ring for flush mount

HD4D Series

SPECIFICATIONS:

Betrieb	
Video Standard	PAL
Scanning System	625/50 lines
Image Sensor	1/3" Sony Super HAD™ CCD II
Minimum Illumination @ 50 IRE	HD4D3SX: 0.06 lux, BW, Sens up (auto) 0.45 lux, Colour, Sens up off HD4DAFSX: 0.15 lux, BW, Sens up (auto) 0.60 lux, Colour Sens up off
Horizontal Resolution	600 TVL
Video Output	Composite: 1.0 Vp-p, 75 ohms UTP: 1.0 Vp-p, 100 ohms
Sync System	12 VDC: Internal 24 VAC: Internal or line lock
S/N Ratio	50 dB or more (AGC off)
Auto Gain Control	On/Off, selectable
Automatic Electronic Shutter	1/60-1/120,000 s
White Balance	ATW/AWC/Manual
Line Lock Phase Adjustment	+/- 180° adjustable line lock vertical phase
Highlight Masking Exposure	On/Off (selectable limit 0-60)
Gamma	0.45
3D-DNR	High/Medium/Low
Sense Up	Off/Auto (selectable limit 2X to 256X)
Privacy Function	On/Off (4 programmable zones)
Lens Type (IR Corrected)	HD4D3SX: 3.3-12 mm VFAI, F1.5, DC drive HD4DAFSX: 2.9-8.5 mm Auto Focus, F1.9, DC drive
Angle of View	HD4D3SX: Tele: 29.8° (D), 24.0° (H), 18.0° (V) Wide: 104.2° (D), 80.2° (H), 58.6° (V) HD4DAFSX: 41.4° (D), 33.3° (H), 25.0° (V) Wide: 119.1° (D), 94.7° (H), 70.3° (V)
Electrical	
Input Voltage	12 VDC/24 VAC
Input Range	11-16 VDC, 17-28 VAC
Surge Suppression	1.5 kW transient
Power Consumption	Max. 3.5 W (heater off), 13 W (heater on)

Mechanical	
Dimensions	See diagram
Weight	1.1 kg
Construction	Housing: Die-cast aluminium Bubble: Polycarbonate Finish: Light grey powder coating
Cable Entry	Two 3/4" (19.1 mm) NPT threaded openings: One on the side and one on the back (mounting ring)
Connector	Main Video: BNC (coax), 2-pin Molex (UTP) Aux Video: 2-pin connector for video test cable Power Input: 2.1 mm power plug
Environmental	
Temperature	Operating: -40°C to 55°C Storage: -45°C to 75°C
Relative Humidity	0% to 95%, non-condensing
Rating	IP66
Accessories	
Power Supply	
HPTV1202D	240V/12VDC AC 2A, for internal use
Regulatory	
Emissions	FCC Part 15, Class B CE: EN 55022
Immunity	CE: EN 50130-4
Safety	EU: 2001/95/EC GPSD NA: UL/CSA 60065
Housing Mounts	
HD4CH-WK	Wall mount kit
HD4CH-PK	Pendant mount kit



Ordering	
HD4D3SX	1/3" CCD Integrated True Day/Night Rugged Dome Camera with DNR, 600 TVL, 3.3-12 mm VFAI, Heater, Surface/Flush Housing, 12 VDC/24 VAC, PAL
HD4DAFSX	1/3" CCD Integrated True Day/Night Rugged Dome Camera with DNR, 600 TVL, 2.9-8.5 mm Auto Focus Lens, Heater, Surface/Flush Housing, 12 VDC/24 VAC, PAL

NOTE: Honeywell reserves the right, without notification, to make changes in product design or specifications.

For additional information:
please visit www.honeywell.com/security/uk

Honeywell Security Group
Aston Fields Road
Whitehouse Industrial Estate
Runcorn
Cheshire
WA7 3DL
Tel: 08448 000 235
www.honeywell.com

HVS-HD4DS-EN-01(1111)DS-C
November 2011
© 2011 Honeywell International Inc.

Honeywell