

## 4 MP HQA WDR IR Mini Dome Cameras

HD72HD4/HD274HD4

Supercharge your analog security system with Honeywell's HQA technology for high definition 4 MP images over your existing coax infrastructure. The Performance Series 4 MP HQA line includes a wide range of high performing IR cameras that are easy to install and even easier to use.

### Superior Image Quality

- Full HD 4 MP 15 fps image (25/30 fps @ 1080p) with a 1/3" 4.1 MP sensor
- Long distance transmission over coaxial cable with low attenuation and latency—up to 1,640 ft (500 m) using RG-59
- True Day/Night provides vivid color images by day and clear black-and-white images at night with ICR
- Excellent low-light performance with 2D/3D noise reduction

### Flexible Surveillance Solution

- 2.8 mm fixed lens (HD72HD4) or 2.7-12 mm VF lens (HD274HD4)
- IR LEDs provide up to 100 ft (30 m) of illumination in dimly lit or nighttime scenes (depending on scene reflectance)
- Smart IR technology provides even distribution of IR
- Weatherproof (IP66) and impact-resistant (IK10) camera housing
- -22°F to 140°F (-30°C to 60°C) working temperature
- Plug-and-play compatible with Honeywell HRHT 4/8/16-channel Performance Series HQA DVRs

### Easy to Install and Use

- HD72HD4: 12 VDC power input; HD274HD4: 12 VDC/24 VAC power input
- Uses existing BNC cabling—no rewiring required
- Compatible with Honeywell's HQA-WK wall mount
- Remote configuration through web client or from the DVR



HD72HD4



HD274HD4

*These flexible, fully featured cameras are ideal for a wide range of surveillance applications, providing excellent picture quality at an affordable price.*

## FEATURES

- Low-light performance down to 0.01 lux (color) or 0 lux with IR LEDs on
- 120 dB True WDR supported
- HQA/CVBS video output
- Pole mount and corner mount options available

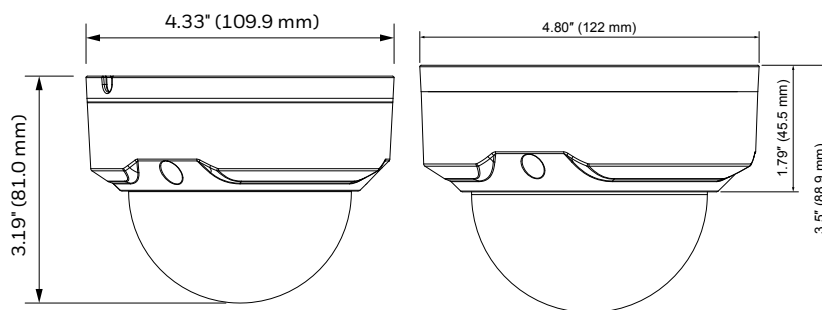
# 4 MP HQA WDR IR Mini Dome Cameras

## SPECIFICATIONS

OPERATIONAL		MECHANICAL	
VIDEO STANDARD	NTSC/PAL	DIMENSIONS	HD72HD4: $\Phi 4.3 \times 3.2$ in. ( $\Phi 109.9 \times 81.0$ mm)
SCANNING SYSTEM	Progressive scan		HD274HD4: $\Phi 4.8 \times 3.5$ in. ( $\Phi 122.0 \times 88.9$ mm)
IMAGE SENSOR	1/3" 4.1 MP CMOS	WEIGHT	HD72HD4: 0.73 lb. (0.33 kg) HD274HD4: 1.06 lb. (0.48 kg)
NUMBER OF PIXELS (H×V)	2688 (H) x 1520 (V)	CONSTRUCTION	Die-cast aluminum housing
ELECTRONIC SHUTTER SPEED	NTSC: 1/3 – 1/100 000 s; PAL: 1/4 – 1/100 000 s	COLOR	RAL 9003 (White)
MINIMUM ILLUMINATION	HD72HD4: 0.01 lux @ F1.5 (color) 0 lux (B/W with IR LEDs on) HD274HD4: 0.01 lux @ F1.3 (color) 0 lux (B/W with IR LEDs on)	ENVIRONMENTAL	
S/N RATIO	65 dB or more	OPERATING TEMPERATURE	-22°F to 140°F (-30°C to 60°C) *Startup should be done at above -22°F (-30°C)
RESOLUTION	4 MP (2560 x 1440)	STORAGE TEMPERATURE	-22°F to 140°F (-30°C to 60°C)
FRAME RATE	15 fps @ 4 MP; 25/30 fps @ 1080p, 720p	RELATIVE HUMIDITY	0–90%, non-condensing
VIDEO OUTPUT	1-channel BNC high definition video output; 1-channel BNC CVBS video output	INGRESS PROTECTION	IP66
IR LEDs	HD72HD4: 12; HD274HD4: 2	IMPACT RESISTANCE	IK10
IR DISTANCE	Up to 100 ft (30 m), depending on scene reflectance	REGULATORY	
DAY/NIGHT	Auto (ICR)/Color/BW	EMISSIONS	FCC PART 15B
NOISE REDUCTION	2D/3D	SAFETY	UL60950-1
LENS	HD72HD4: 2.8 mm Fixed HD274HD4: 2.7-12 mm VF	SYSTEM COMPATIBILITY	
PRIVACY MASKING	Up to 8 configurable areas	HRHT	Hybrid 4 MP HQA DVRs
HORIZONTAL ANGLE OF VIEW	HD72HD4: 79°; HD274HD4: 98°-26°	MOUNTS	
ELECTRICAL		WALL MOUNT	HQA-WK2
POWER SUPPLY	HD72HD4: 12 VDC $\pm 25\%$ HD274HD4: 12 VDC $\pm 25\%$ / 24 VAC $\pm 25\%$	JUNCTION BOX	HQA-BB2
POWER CONSUMPTION	HD72HD4: 4.4 W max. (IR LEDs on) HD274HD4: 10.1 W max. (IR LEDs on)	POLE MOUNT (REQUIRES HQA-BB2)	HQA-PM2
		CORNER MOUNT (REQUIRES HQA-BB2)	HB34S2-CM

HD72HD4

HD274HD4



## ORDERING

HD72HD4	4MP Analog Rugged Dome Camera, WDR 120dB, 1/3" CMOS, 2.8mm, 12 IR LEDs, TDN, HQA/SD, 12VDC, IP66/IK10
HD274HD4	4MP Analog Rugged Dome Camera, WDR 120dB, 1/3" CMOS, 2.7-12mm MFZ Lens, 2 IR LEDs, TDN, HQA/SD, 12VDC/24VAC, IP66/IK10

### For more information

[www.security.honeywell.com](http://www.security.honeywell.com)

### Honeywell Commercial Security

715 Peachtree St. NE

Atlanta, GA 30308

1.800.323.4576

[www.honeywell.com](http://www.honeywell.com)

Honeywell reserves the right, without notification, to make changes in product design or specifications.

HCS-4MPIRMD-02-US(0419)DS-E  
© 2019 Honeywell International Inc.

**Honeywell**