

12 MP (4K Ultra HD) IP Box Cameras

HCD8G

Honeywell is taking quality and reliability to the next level with the new equiP[®] line of 4K Ultra HD IP cameras. The Honeywell TDN Ultra HD box cameras offer incomparable high definition resolution at full frame rate, progressive scan technology, and edge enhancement for outstanding picture clarity. ONVIF (Profile S/G) compliance ensures hassle-free, flexible system integration.

Ultra HD 4K Image Quality

- Ultra HD 12 MP (4K) 20 fps image with a 1/1.7" 12 megapixel progressive scan CMOS, or full HD 8 MP 25/30 fps image
- Digital WDR (DWDR) ensures glare-free images
- True Day/Night capability provides vivid color images by day and clear black-and-white images at night using a removable IR cut filter
- Excellent low-light performance with 3D noise reduction, saving storage and bandwidth together with H.265 Profile codec

Flexible Surveillance Solution

- H.265, H.264 and MJPEG codec, triple stream support
- -22°F to 140°F (-30°C to 60°C) working temperature
- ONVIF Profile S and G compliant
- Security features include individual signed certificates and data encryption
- Cameras can be retrofitted on many existing DVR/NVR installations without requiring additional storage

Easy to Install and Use

- Professional design that is easy to hold with one hand during installation
- Built-in PoE (Power over Ethernet) eliminates separate power supply and associated wiring; 24 VAC/12 VDC inputs where PoE power is unavailable
- Remote configuration through web client or from the NVR



(Lens sold separately)



Privacy Masking

- Conceals up to 4 areas of a scene from viewing and recording

Onboard Video Storage

- Supports up to 128 GB microSDHC (Class 10) card for local video storage when network is interrupted. Card not included

Market Opportunities

These cameras are perfect for installations that require excellent picture quality at minimal bandwidth, with a flexible design that mounts easily to a wall or ceiling. Boasting a sleek modern design and offering 4K high definition images, these cameras are suited for a wide range of applications.

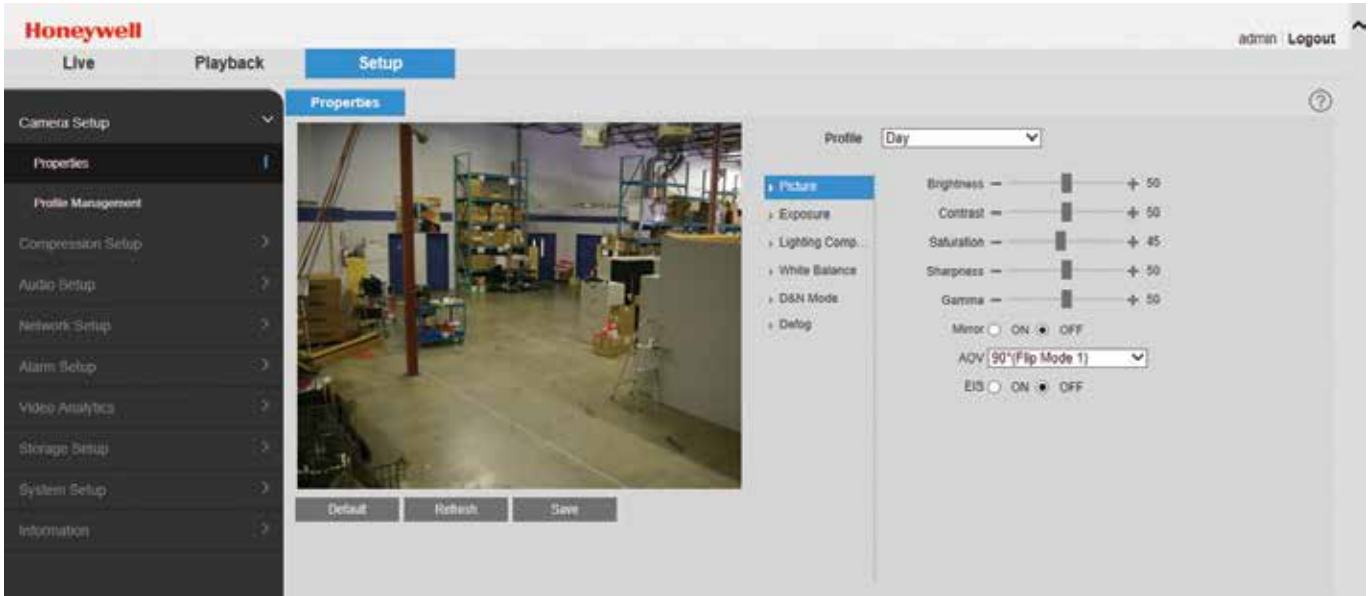
FEATURES AND BENEFITS

- | | | | | |
|---|---|--|--|--|
| <ul style="list-style-type: none">• Ultra HD 4K/12 MP resolution at 20 fps or 8 MP at 25/30 fps• Up to 4 configurable privacy areas• Excellent low light performance with down to 0.03 lux BW | <ul style="list-style-type: none">• Built-in PoE for simple cabling options; 12 VDC/24 VAC inputs also available• Up to triple stream support• 1/1.7" 12 megapixel progressive scan CMOS imager | <ul style="list-style-type: none">• 2 lens options to suit any surveillance situation• True Day/Night capability with vivid color pictures in the day and clear black-and-white images at night | <ul style="list-style-type: none">• ONVIF profile S and G compliant• Corridor mode viewing capability• Onboard camera storage up to 128 GB microSD card (not included) | <ul style="list-style-type: none">• Digital WDR• Built-in cyber security hardware chipset• Global language support with QIGs, Web GUI, and online help in 15 languages |
|---|---|--|--|--|

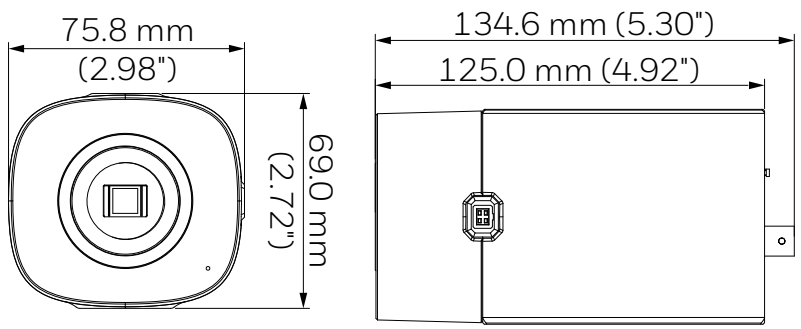
12 MP (4K Ultra HD) IP Box Cameras

FEATURES CONTINUED

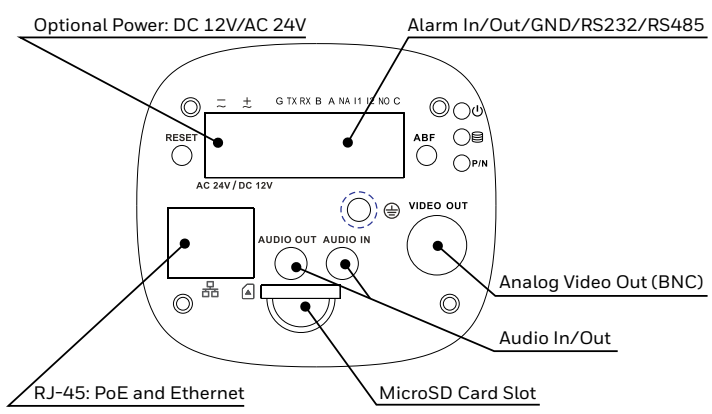
The camera can be configured to automatically detect and respond to events such as motion in the scene, alarm inputs, network failure, and/or camera tampering. Automated responses include: sending a notification through email, FTP, and/or HTTP; sending a still image of the event through email and/or FTP; and recording a video clip of the event to a configured microSDHC card. Setup can be done through the web client.



DIMENSIONS



CONNECTIONS



12 MP (4K Ultra HD) IP Box Cameras Technical Specifications

OPERATIONAL		
VIDEO STANDARD	NTSC/PAL	
SCANNING SYSTEM	Progressive scan	
IMAGE SENSOR	1/1.7" 12 MP progressive CMOS	
NUMBER OF PIXELS (H × V)	4000 × 3000	
MINIMUM ILLUMINATION	0.02 lux color @ F1.53, 0.01 lux B/W @ F1.5	
S/N RATIO	50 dB	
ELECTRONIC SHUTTER SPEED	Auto, Manual, 1/3(4) – 1/100,000 s	
DAY/NIGHT	Auto (ICR)/Color/BW	
BACKLIGHT COMPENSATION	BLC/HLC/DWDR/SSA	
WIDE DYNAMIC RANGE	Digital WDR (DWDR)	
WHITE BALANCE	Auto/Natural/Street Lamp/ Outdoor/Customize Region	
GAIN CONTROL	Auto/Manual	
NOISE REDUCTION	3DNR	
PRIVACY MASKING	Up to 4 configurable areas	
CORRIDOR MODE	Yes	
ELECTRONIC IMAGE STABILIZATION	Off/On	
DEFOG	Auto/Manual/Off	
AUTO BACK FOCUS	Yes	
LENS	Ordered separately, support for DC-iris lens	
AUDIO/TWO-WAY	Line In/Out, 1 built-in mic	
ALARM INPUT/OUTPUT	2/1	
ETHERNET	RJ-45 (10/100/1000Base-T)	
ANALOG OUTPUT	BNC connector	
IP SPECIFICATIONS		
VIDEO COMPRESSION	H.265/H.264+/H.264/MJPEG Bit rate control (CBR and VBR)	
RESOLUTION	16:9	8M (3840×2160)/3M (2304×1296)/1080p (1920×1080)/720p (1280×720)
	4:3	12M (4000×3000)/5M (2560×1920)/3M (2048×1536)/ 1.3M (1280×960)/VGA (640×480)
	OTHER	8M (4096×2160)/6M (3072×2048)/SXGA (1280×1024)/ D1 (704×576/704×480)/ CIF (352×288/352×240)
FRAME RATE	MAIN STREAM	12M (4000×3000) 1–20 fps; 8M (4096×2160) or lower resolution at 1–25/30 fps
	SUB STREAM	D1/VGA/CIF up to 25/30 fps
	THIRD STREAM	1080p/720p/D1/VGA up to 25/30 fps
AUDIO COMPRESSION	G.711a/G.711Mu/AAC/G.726	
AUDIO STREAM	Full duplex, simplex	
SUPPORTED WEB BROWSERS	Internet Explorer® (11.0+), Firefox, Chrome	
SUPPORTED OS	Windows® 7 32-bit/64-bit, Windows 10	

IP SPECIFICATIONS (CON'T)	
SUPPORTED PROTOCOLS*	IPv4/v6, TCP/IP, UDP, RTP, RTSP, HTTP, HTTPS, SSL, ICMP, FTP, SMTP, DHCP, PPPoE, UPnP, IGMP, SNMP, Bonjour, DNS, DDNS, IEEE 802.1x, QoS, NTP, IP Filter, Multicast, ONVIF
COMPATIBILITY	ONVIF Profile S and G
MAXIMUM USERS ACCESS	20 users
SECURITY	Multiple user access levels with enhanced password policy, IP filtering, IEEE 802.1x, Strong Digest authentication for Access permission, HTTPS, TLS1.2 only, high strength encrypted algorithm AES-256, SSH/Telnet closed, FTP disabled to reduce surface being attacked, PCI-DSS compliant, built- in cybersecurity hardware chipset
MICRO SD	Up to 128 GB microSDHC card, Class 10 (not included)
MICRO SD FUNCTION	<ul style="list-style-type: none"> Event trigger recording Continuous and scheduled recording Automatic recording when network fails
LANGUAGES SUPPORTED	English, Arabic, Czech, Dutch, French, German, Italian, Japanese, Korean, Polish, Portuguese, Russian, Simplified Chinese, Spanish, Turkish
ELECTRICAL	
POWER SUPPLY	PoE (802.3af) Class 0, 12 VDC/24 VAC
AC FREQUENCY	50/60 Hz
POWER CONSUMPTION	8 W max. (ABF and ICR on)
MECHANICAL	
DIMENSIONS	4.92" × 2.72" × 2.98" (125.0 mm × 69.0 mm × 75.8 mm)
PRODUCT WEIGHT	1.21 lb. (0.55 kg)
PACKAGE WEIGHT	1.87 lb. (0.85 kg)
CONSTRUCTION	Die-cast aluminum housing with powder coat
CONSTRUCTION COLOR	RAL9003 (White) and RAL7022 (Gray)
ENVIRONMENTAL	
OPERATING TEMPERATURE	–22°F to 140°F (–30°C to 60°C)
RELATIVE HUMIDITY	Less than 95%, non-condensing
REGULATORY	
EMISSIONS	EN55032, FCC Part 15B, AS/NZS CISPR 22:2009+A1 (2010)
IMMUNITY	EN50130-4
SAFETY	EU: EN60950-1 North America UL listed to UL/CSA 60950-1
ROHS	EN50581

* Some development may be required in specific user cases to support some of these protocols in the field as they mature over time.

12 MP (4K Ultra HD) IP Box Cameras

RECOMMENDED ACCESSORIES

SYSTEM INTEGRATION		LENSES	
ONVIF support and open API software integration. Refer to www.onvif.org for the ONVIF specification and the Honeywell Open Technology Alliance website (http://www.security.honeywell.com/hota/) to learn more about our open and integrated solutions.		HLM105V42MPD	 12 MP 4K 10.5 – 42 mm Lens
HONEYWELL DEVICE INTEGRATION		HLM37V16MPD	 12 MP 4K 3.7 – 16 mm Lens
MAXPRO® NVR FAMILY	Entry to Enterprise Level Network Video Recorders (version 4.0 and greater)		
MAXPRO® VMS FAMILY	Entry to Enterprise Level Network Video VMS (version R410 and greater)		
DVM	DVM R600.1 SP1		
HUS	HUS 5.1		

ORDERING

HCD8G	Network TDN Ultra 4K HD Box Camera, 1/1.7" CMOS, 12 MP, PoE, H.265
-------	--

For more information

www.honeywell.com/security

Honeywell Security and Fire

2700 Blankenbaker Pkwy, Suite 150

Louisville, KY 40299

1.800.323.4576

www.honeywell.com

ONVIF and the ONVIF logo are trademarks of ONVIF Inc. Honeywell reserves the right, without notification, to make changes in product design or specifications.

L/HCD8GD/D | 05/17
© 2017 Honeywell International Inc.

Honeywell