

60 SERIES HC60W44R2L

4MP Network TDN WDR IR Outdoor Dome Camera



OPERATIONAL

Video Standard	NTSC / PAL
Scanning System	Progressive
Image Sensor	1 / 2.8" CMOS
SENSOR SIZE (H X V)	5.18 x 3.89 mm
Number Of Pixels (H x V)	2560 x 1440 (4 MP)
Minimum Illumination (Color / BW)	Color: 0.04 Lux @F1.4, B / W: 0Lux @F1.4 (IR on)
S / N Ratio	60 dB
Electronic Shutter Speed	1 / 30 ~ 1 / 32000
IR Distance	Up to 60m (197ft)
IR Light Control	Smart IR (Auto / Manual) / OFF, External IR trigger by output
IR Light Number	4
Removable IR-Cut Filter	Yes
Day / Night	Auto / Day / Night / Synchronize with digital input / Schedule
Backlight Compensation	WDR, HLC
White Balance	Auto / Fixed Current / Manual
Gain Control	0-100%
Wide Dynamic Range	120dB
Noise Reduction	3D DNR
Lens	Remote Focus, 2.7 mm ~ 13.5 mm, MFZ, DC-IRIS, F1.4 ~ F2.8
Angle Of View (H x V)	H: 100° ~ 30°, V: 53° ~ 17°
Privacy Masking	Off / On (5 Areas)
Defog	Support
Local Storage	Micro SD / SDHC / SDXC card slot (up to 256 GB)
Micro USB	Support Wi-Fi Dongle for configuration
Alarm Inputs / Outputs	2 In / 1 Out

VIDEO

Video Compression	H.265 HEVC / H.264 / MJPEG, Smart Codec	
Number of Video Streams	3	
Video image ratio	16/9	
Resolution and Frame Rate Main & Second Stream	2560x1440	1-25/30fps
	1600x904	1-50/60fps
	1920x1080	1-50/60fps
	1360x768	1-50/60fps
	1280x720	1-50/60fps
Resolution and Frame Rate Third Stream	640x360	1-50/60fps
	1280x720	1-50/60fps
	640x360	1-50/60fps
Bit Rate	20 K ~ 80 Mbps	

AUDIO

Audio Compression	G.711a / G.711 Mu / G.726
Audio Stream	Full duplex, simplex
Audio Interface	Line In / Out

NETWORK

Ethernet	10 Base-T / 100 Base-TX Ethernet (RJ-45)
Supported Web Browsers	Chrome 79.0 / Internet Explorer 11
Supported OS	Microsoft Windows 10
Protocols*	IPv4, IPv6, TCP / IP, HTTP, HTTPS, UPnP, RTSP / RTP / RTCP, IGMP / Multicast, SMTP, DHCP, NTP, DNS, DDNS, CoS, QoS, SNMP, 802.1X, UDP, ICMP, ARP, TLS
Interoperability	ONVIF Profile G / S
Maximum Users Access	10 Users
Security	User account and password protection, HTTPS, IP Filter, Digest authentication, TLS1.2 only, Stream encryption, AES128 / 256, SSH / Telnet closed, PCIDSS compliance, FIPS 140-2 Certified Chipset Built-in
Languages Supported	English, French, German, Italian, Japanese, Portuguese, Russian, Spanish, Traditional Chinese

EVENTS / ANALYTICS

Video Analytics	Video motion detection, Camera tampering detection
Event type	Periodically, Alarm input, System boot, Recording notification,
Event linkage	Event notification using digital output, HTTP, Email and MicroSD card
Region Of Interest	5

ELECTRICAL

Power Supply	12VDC / 24VAC (50 / 60Hz), PoE (IEEE 802.3af, Class 0)
Power Consumption	MAX 12.95W

MECHANICAL

Dimensions (D x D x H)	159mm x 159mm x 118.3mm (6.26" x 6.26" x 4.66")
Dome diameter	107.38mm (4.23")
Product Weight	1.13kg (2.49lb)
Package Weight	1.83kg (4.03lb)
Body Material	Metal (die casting aluminum with power coating)
Color	RAL 120-1 (Lyric White)

ENVIRONMENTAL

Operating Temperature	Starting Temperature: -10°C ~ 60°C (14°F ~ 140°F) Working Temperature: -30°C ~ 60°C (-22°F ~ 140°F)
Relative Humidity	Less than 90 %, non-condensing
Ingress Protection	IP 66 / IP 67
Impact Resistance	IK 10
Gore-Vent	Yes

REGULATORY

Emissions	FCC PART 15, CE (EN 55032)
Immunity	CE (EN 50130-4)
Safety	UL LISTED TO UL / CSA 62368-1, CE (EN 62368-1), UL / CSA 60950-22, CE (EN 60950-22)
RoHS	CE (EN 50581), EAC (TR EAEU 037 / 2016), UAE (Cabinet Decree No.10 of 2017)
Country of Origin	Taiwan

* Some development may be required in specific user cases to support some of these protocols in the field as they mature over time.

60 SERIES 4MP NETWORK TDN WDR IR OUTDOOR DOME CAMERA

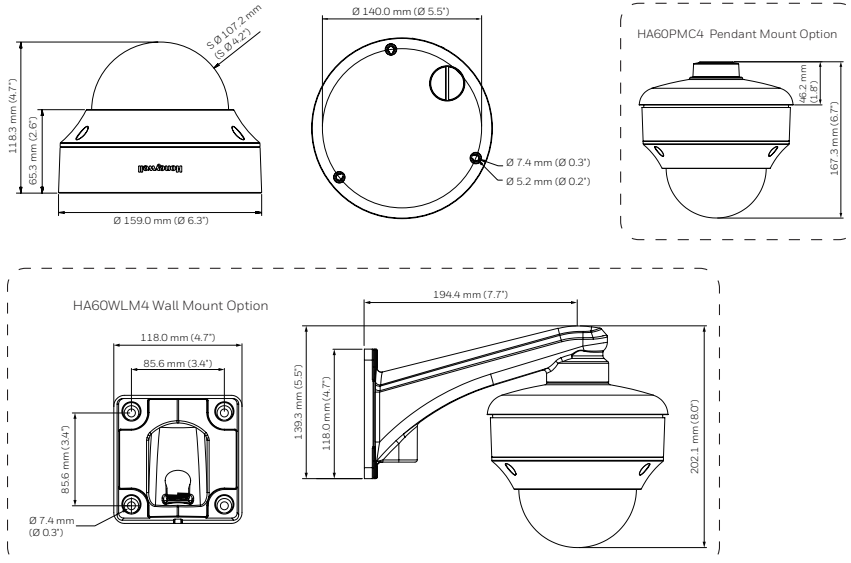
SYSTEM COMPATIBILITY		OPTIONAL MOUNTS AND ACCESSORIES	
Pro-Watch NVR	Up to 256 IP channels RAID5 / 6 Enterprise NVR	HA30PLM01	Pole Mount Adapter for 30 and 60 series
MAXPRO NVR PE	Up to 128 IP channels RAID5 / 6 Enterprise NVR	HA60PLMZ	Pole Mount Adapter for 60 series
MAXPRO NVR SE	Up to 64 IP channels System NVR	HA30CNM01	Corner Mount Adapter for 30 and 60 series
MAXPRO NVR XE	Up to 16 IP channels System NVR	HA60CNMZ	Corner Mount Adapter for 60 series
MAXPRO NVR SOFTWARE	Up to 128 IP channels Recording Software	HA60WLM4	Wall mount bracket for 4 inch dome, white
ADPRO NVR FASTTRACE 2E	Up to 32 IP channels with up to 32 VA channels NVRs	HA60PMC4	Pendant Mount Adapter, 1.5NPT(outside), 3 / 4NPT (inside)
ADPRO NVR iFT-E	Up to 32 IP channels with up to 32 VA channels NVRs	HA60CB4	Replacement bubble for 60 series outdoor Dome (Clear)
ADPRO NVR iFT	Up to 32 IP channels or 16 IP channels with up to 16 VA channels NVRs	HA60SB4	Replacement bubble for 60 series outdoor Dome (Smoke)
ADPRO NVR iFT GATEWAY	4 IP channels + 4 VA channels	HA60WIF	Wifi dongle and USB adapter for camera configuration
HEN*4	8 / 16 / 32 / 64-channel Performance Series NVRs (H.264 and H.265)	HA60APR	Outdoor dome adapter plate and rubber
Honeywell DVM	Supported with Honeywell DVM R700 , DVM R620		
30 SERIES NVR	Integration with 30 Series NVR		



Learn more about 60 Series accessories

ORDERING	
HC60W44R2L	4MP Network Outdoor Dome Camera, WDR 120dB, 1/2.8" CMOS, 2.7-13.5 mm MFZ, 4 IR LEDs, PoE, H.265 HEVC Smart Codec, IP66/67, IK10, White, No VA license

DIMENSIONS



For more information
www.security.honeywell.com



Honeywell Commercial Security
 715 Peachtree St. NE
 Atlanta, GA 30308
 1.800.323.4576
www.honeywell.com

ONVIF and the ONVIF logo are trademarks of ONVIF Inc.
 HEVC Advance logo is a trademark of HEVC Advance
 Honeywell reserves the right, without notification, to make changes in product design or specifications.

HSV-HC60W44R2L-07-US(1220)DS-Z
 © 2020 Honeywell International Inc.

