

# 60 SERIES HC60W34R2L

4MP Network TDN WDR IR Indoor Dome Camera



OPERATIONAL		
Video Standard	NTSC / PAL	
Scanning System	Progressive	
Image Sensor	1 / 2.8" CMOS	
Sensor Size (H x V)	5.18 x 3.89 mm	
Number Of Pixels (H x V)	2560 x 1440 (4 MP)	
Min. illumination (Color / B / W)	0.04 Lux @F1.4, B / W: 0Lux @F1.4(IR on)	
S / N Ratio	60 dB	
Electronic Shutter Speed	1 / 30 ~ 1 / 32000	
IR Distance	Up to 30 m (98 ft)	
IR Light Control	Smart IR (Auto / Manual) / OFF, External IR trigger by output	
IR Light Number	4	
Removable IR-Cut Filter	Yes	
Day / Night	Auto / Day / Night / Synchronize with digital input / Schedule	
Backlight Compensation	WDR, HLC	
White Balance	Auto / Fixed Current / Manual	
Gain Control	0-100 %	
Wide Dynamic Range	120 dB	
Noise Reduction	3D DNR	
Lens	2.7 mm ~ 13.5 mm, MFZ, DC-IRIS, F1.4 ~ F2.8	
Angle Of View (H x V)	H: 100° ~ 30°, V: 53° ~ 17°	
Privacy Masking	Off / On (5 Areas)	
Defog	Support	
Encryption Chipset	Built-in FIPS encryption Chipset	
Local Storage	Micro SD / SDHC / SDXC card slot (up to 256GB), SD Card encryption	
Micro USB	Support Wi-Fi Dongle for configuration	
Alarm Inputs / Outputs	2 In / 1 Out	
VIDEO		
Video Compression	H.265 HEVC / H.264/MJPEG, Smart Codec	
Number of Video Streams	3	
Video image ratio	16/9	
Resolution and Frame Rate Main & Second Stream	2560x1440	1-25/30fps
	1920x1080	1-50/60fps
	1600x904	1-50/60fps
	1360x768	1-50/60fps
	1280x720	1-50/60fps
	640x360	1-50/60fps
Resolution and Frame Rate Third Stream	1280x720	1-50/60fps
	640x360	1-50/60fps
Bit Rate	20 K ~ 80 Mbps	
AUDIO		
Audio Compression	G.711A / G.711MU / G.726	
Audio Stream	Full duplex, Simplex	
Audio Interface	Line In / Out, Built-in Microphone	

NETWORK	
Ethernet	10 Base-T / 100 Base-TX Ethernet (RJ-45)
Supported Web Browsers	Chrome 79.0 / Internet Explorer 11
Supported OS	Microsoft Windows 10
Protocols*	IPv4, IPv6, TCP / IP, HTTP, HTTPS, UPnP, RTSP / RTP / RTCP, IGMP / Multicast, SMTP, DHCP, NTP, DNS, DDNS, CoS, QoS, SNMP, 802.1X, UDP, ICMP, ARP, TLS
Interoperability	ONVIF Profile G / S
Maximum Users Access	10 Users
Security	User account and password protection, HTTPS, IP Filter, Digest authentication, TLS1.2 only, Stream encryption, AES128 / 256, SSH / Telnet closed, PCIDSS compliance, FIPS 140-2 Certified Chipset Built-in
Languages Supported	English, French, German, Italian, Japanese, Portuguese, Russian, Spanish, Traditional Chinese
EVENTS / ANALYTICS	
Video Analytics	Video motion detection, Camera tampering detection
Event type	Periodically, Alarm input, System boot, Recording notification,
Event linkage	Event notification using digital output, HTTP, Email and MicroSD card
Region Of Interest	5
ELECTRICAL	
Power Supply	12 VDC / 24 VAC (50 / 60 Hz), PoE (IEEE 802.3 af, Class 0)
Power Consumption	12.95W
MECHANICAL	
Dimensions (D x D x H)	126mm x 126mm x 122mm (4.96" x 4.96" x 4.8")
Dome diameter	91mm (3.58")
Product Weight	0.59kg (1.3lb)
Package Weight	1.14kg (2.51lb)
Material	Metal (die casting aluminum with liquid painting)
Color	RAL 120-1 (Lyric White)
ENVIRONMENTAL	
Operating Temperature	Starting Temperature: 0 °C ~ 60 °C (32°F ~ 140 °F)
	Working Temperature: -10 °C ~ 60 °C (14 °F ~ 140 °F)
Relative Humidity	Less than 90 %, non-condensing
Ingress Protection	IP 52
Impact Resistance	IK 10 (bubble only)
REGULATORY	
Emissions	FCC PART 15, CE (EN 55032)
Immunity	CE (EN 50130-4)
Safety	UL LISTED TO UL / CSA 62368-1, CE (EN 62368-1)
RoHS	CE (EN 50581), EAC (TR EAEU 037 / 2016), UAE (Cabinet Decree No.10 of 2017)
Country of Origin	Taiwan

\* Some development may be required in specific user cases to support some of these protocols in the field as they mature over time.

**Honeywell**

# 60 SERIES 4MP NETWORK TDN WDR IR INDOOR DOME CAMERA

SYSTEM COMPATIBILITY	
Pro-Watch NVR	Up to 256 IP channels RAID5 / 6 Enterprise NVR
MAXPRO NVR PE	Up to 128 IP channels RAID5 / 6 Enterprise NVR
MAXPRO NVR SE	Up to 64 IP channels System NVR
MAXPRO NVR XE	Up to 16 IP channels System NVR
MAXPRO NVR SOFTWARE	Up to 128 IP channels Recording Software
ADPRO NVR FASTTRACE 2E	Up to 32 IP channels with up to 32 VA channels NVRs
ADPRO NVR iFT-E	Up to 32 IP channels with up to 32 VA channels NVRs
ADPRO NVR iFT	Up to 32 IP channels or 16 IP channels with up to 16 VA channels NVRs
ADPRO NVR iFT GATEWAY	4 IP channels + 4 VA channels
HEN*4	8 / 16 / 32 / 64-channel Performance Series NVRs (H.264 and H.265)
Honeywell DVM	Supported with Honeywell DVM R700 , DVM R620
30 SERIES NVR	Integration with 30 Series NVR

OPTIONAL MOUNTS AND ACCESSORIES	
HA60ICK	Indoor dome in ceiling mount kit
HA60WLM3	Wall Mount Bracket
HA60PMC3	Flush Mount Adaptor (black)
HD5-MK2*	Flush Mount kit for Indoor Dome
HD5CBL / HD5CWH*	In Ceiling Mount Bracket (Clear)
HD5TBL / HD5TWH*	In Ceiling Mount Bracket (Smoke)
HA60CB3	Replacement Dome, 60 series indoor bubble (Clear)
HA60SB3	Replacement Dome, 60 series indoor bubble (Smoke)
HA60WIF	Wifi dongle and USB adapter for camera configuration

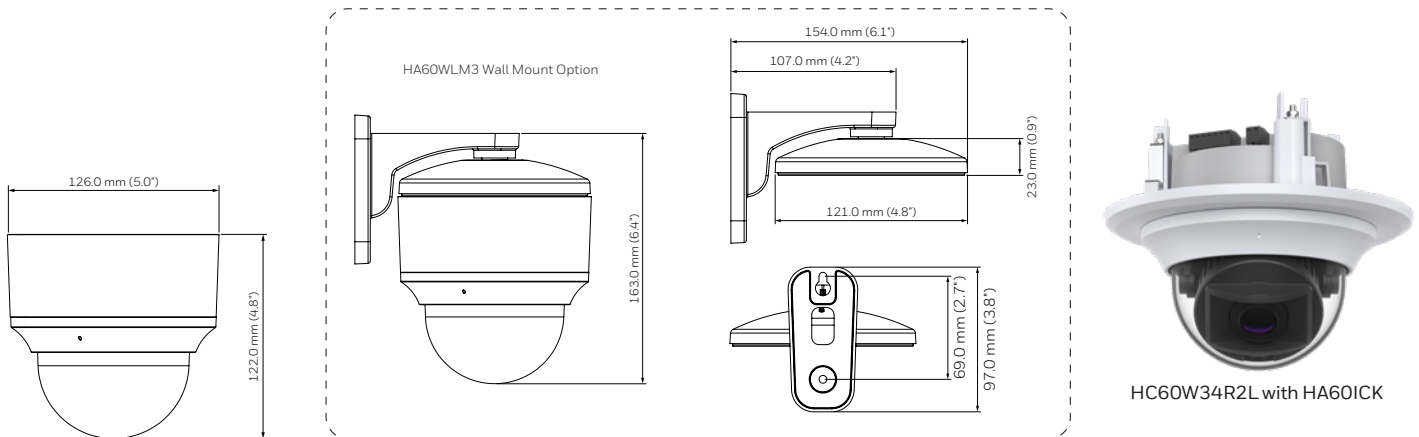
(\*): 4S Box might be needed (depth no less than 2-1/8", to purchase from market)



Learn more  
about 60 Series  
accessories

ORDERING	
HC60W34R2L	4MP Network Indoor Dome Camera, WDR 120dB, 1 / 2.8" CMOS, 2.7-13.5 mm MFZ, 4 IR LEDs, PoE, H.265 HEVC Smart Codec, IP52, Built-in Microphone, White, No VA license

## DIMENSIONS



For more information  
[www.security.honeywell.com](http://www.security.honeywell.com)



**Honeywell Commercial Security**  
715 Peachtree St. NE  
Atlanta, GA 30308  
1.800.323.4576  
[www.honeywell.com](http://www.honeywell.com)

ONVIF and the ONVIF logo are trademarks of ONVIF Inc.  
HEVC Advance logo is a trademark of HEVC Advance  
Honeywell reserves the right, without notification, to  
make changes in product design or specifications.

HSV-HC60W34R2L-07-US(1220)DS-Z  
© 2020 Honeywell International Inc.

**Honeywell**