

HBL6GR2

Network TDN Low-Light 6 MP IR Rugged Bullet



HD

ONVIF | SGG

OPERATIONAL		
VIDEO STANDARD	NTSC/PAL	
SCANNING SYSTEM	Progressive scan	
IMAGE SENSOR	1/1.8" 6 MP progressive CMOS	
NUMBER OF PIXELS (H x V)	3072 x 2048	
MINIMUM ILLUMINATION	0.004 lux color @ F1.53, 0 lux B/W with IR LEDs on @ F1.53	
S/N RATIO	≥ 50 dB	
ELECTRONIC SHUTTER SPEED	Auto, Manual, 1/30 – 1/100,000 s	
IR DISTANCE	Up to 164 ft. (50 m), depending on scene reflectance	
DAY/NIGHT	Auto (ICR)/Color/BW	
BACKLIGHT COMPENSATION	BLC/HLC/DWDR/SSA	
WHITE BALANCE	Auto/Natural/Street Lamp/Outdoor/Manual/Customize Region	
GAIN CONTROL	Auto/Manual	
NOISE REDUCTION	3DNR	
PRIVACY MASKING	Up to 4 configurable areas	
ELECTRONIC IMAGE STABILIZATION	Off/On	
DEFOG	Auto/Manual/Off	
LENS	4.1–16.4 mm, MFZ, F1.53	
ANGLE OF VIEW	Horizontal: 86° – 35°	
AUDIO/TWO-WAY	Line In/Out	
ALARM INPUT/OUTPUT	2/1	
ANALOG OUTPUT SUPPORT	BNC	
ETHERNET	RJ-45 (100/1000Base-T)	
IP SPECIFICATIONS		
VIDEO COMPRESSION	H.265/H.264/MJPEG; Bit rate control (CBR and VBR)	
RESOLUTION	16:9	3M (2304x1296)/1080p (1920x1080)/720p (1280x720)
	4:3	5M (2560x1920)/3M (2048x1536)/1.3M (1280x960)/VGA (640x480)/CIF (352x288/352x240)
	OTHER	6M (3072x2048)/D1 (704x576/704x480)
FRAME RATE	MAIN STREAM	6M (3072x2048)/5M (2560x1920)/3M (2048x1536)/3M (2304x1296)/1080p (1920x1080)/1.3M (1280x960)/720p (1280x720) at 1–25/30 fps
	SUB STREAM	D1/CIF/VGA up to 25/30 fps
	THIRD STREAM	1080p/720p/D1 up to 25/30 fps
AUDIO COMPRESSION	G.711a/G.711Mu/AAC/G.726	
AUDIO STREAM	Full duplex, simplex	
SUPPORTED WEB BROWSERS	Internet Explorer [®] (11.0+), Firefox, Chrome	
SUPPORTED OS	Windows [®] 7 32-bit/64-bit	
COMPATIBILITY	ONVIF Profile S, G and Q	
SUPPORTED PROTOCOLS*	IPv4/v6, TCP/IP, UDP, RTP, RTSP, RTCP, HTTP, HTTPS, SSL, ICMP, FTP, SMTP, DHCP, PPPoE, UPnP, IGMP, SNMP v2c/v3, Bonjour, DNS, DDNS, IEEE 802.1x, QoS, NTP, IP Filter, Multicast, ONVIF	

IP SPECIFICATIONS (CON'T)	
MAXIMUM USERS ACCESS	20 users
SECURITY	User account and password protection HTTPS, IP Filter, IEEE 802.1x, Digest authentication, User access log, TLS1.2, AES-256, SSH/Telnet closed, FTP disabled, PCI-DSS compliance, Hardware chipset for private key
EVENT	No SD card, SD card error, SD card capacity warning, Network disconnection, IP address conflict, Illegal access, Face detection, Audio detection, People counting, Video tampering, Motion detection, Scene change
EVENT NOTIFICATION	Record (SD card and FTP), Relay output, Email, Snapshot
ANALYTICS	Embedded Analytics: Face detection, Audio detection, Video tampering, Motion detection, Scene change, People counting Advanced Analytics: Xtralis ADPRO IntrusionTrace**, Xtralis ADPRO LoiterTrace**, and License Plate Recognition*** analytics, additional license application required
MICRO SD	Up to 128 GB microSDHC card, Class 10 (not included)
MICRO SD FUNCTION	<ul style="list-style-type: none"> • Event trigger recording • Continuous and scheduled recording • Automatic recording when network fails
LANGUAGES SUPPORTED	English, Arabic, Czech, Dutch, French, German, Italian, Japanese, Korean, Polish, Portuguese, Russian, Simplified Chinese, Spanish, Turkish
ELECTRICAL	
POWER SUPPLY	PoE+ (802.3at) Class 4, 12 VDC/24 VAC
AC FREQUENCY	50/60 Hz
POWER CONSUMPTION	1.8 W max. (IR LEDs on and motorized lens working)
MECHANICAL	
DIMENSIONS	4.3" x 11.1" (110.0 mm x 281.0 mm)
WEIGHT	Product: 4.9 lb. (2.2 kg); Package: 6.4 lb. (2.9 kg)
CONSTRUCTION	Die-cast aluminum housing with powder coat
CONSTRUCTION COLOR	RAL 9003 (White) and RAL 7022 (Grey)
ENVIRONMENTAL	
OPERATING TEMPERATURE	–40°F to 140°F (–40°C to 60°C)
RELATIVE HUMIDITY	Less than 95%, non-condensing
GORE VENTS	Yes
INGRESS PROTECTION	IP67
IMPACT RESISTANCE	IK10
REGULATORY	
EMISSIONS	EN55032, ANSI C63.4-2014, ICE 003 Rev6, AS/NZ CISPR 32:2013
IMMUNITY	EN50130-4
SAFETY	EU: EN60950-1, EN60950-22 North America UL listed to UL/CSA 60950-1, 60950-22
ROHS	EN50581






* Some development may be required in specific user cases to support some of these protocols in the field as they mature over time.

** ADPRO[®] IntrusionTrace[™] and ADPRO[®] LoiterTrace[™] are Xtralis[®] video content analytics products. Additional license purchase(s) required. See <http://www.xtralis.com/analytics> for more information.

***Additional license purchase required for License Plate Recognition.

6 MP TDN Low-Light Outdoor IR IP Rugged Bullet Cameras

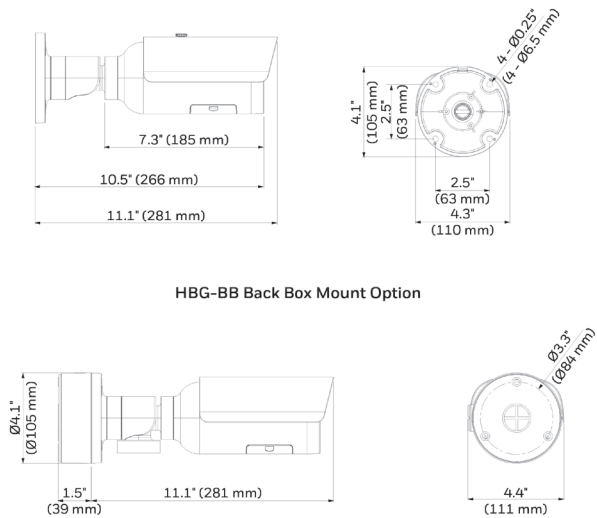
RECOMMENDED ACCESSORIES

SYSTEM INTEGRATION		HOUSING AND MOUNTS	
<p>ONVIF support and open API software integration. Refer to www.onvif.org for the ONVIF specification and the Honeywell Open Technology Alliance website (http://www.security.honeywell.com/hota/) to learn more about our open and integrated solutions.</p>		<p>HB4G-PM</p>  <p>Pole Mount Adapter</p>	
		<p>HB34G-CM</p>  <p>Corner Mount Adapter</p>	
		<p>HBG-BB</p>  <p>IP66 Back Box with Gasket (for Cable Termination)</p>	
		<p>HBG-FP</p>  <p>Front Lens Plate Replacement (if Vandalized)</p>	
HONEYWELL DEVICE INTEGRATION			
MAXPRO® NVR FAMILY	Entry to Enterprise Level Network Video Recorders (version 4.50 and greater)		
MAXPRO® VMS FAMILY	Entry to Enterprise Level Network Video VMS (version R450 and greater)		
DVM	DVM R600.1 SP1		
HUS	HUS 5.1		

ORDERING

HBL6GR2	Network TDN Superior HD IR Rugged Bullet Camera, 1/1.8" CMOS, 6 MP, 4.1–16.4 mm MFZ, PoE+, H.265
----------------	--

DIMENSIONS*



* Dimensions drawing shows back box. Back box is compatible with a 4S electrical box.

For more information

www.honeywell.com/security

Honeywell Security and Fire

2700 Blankenbaker Pkwy, Suite 150
 Louisville, KY 40299
 1.800.323.4576
www.honeywell.com

ADPRO, IntrusionTrace, LoiterTrace and Xtralis are trademarks of Xtralis Inc. ONVIF and the ONVIF logo are trademarks of ONVIF Inc. Honeywell reserves the right, without notification, to make changes in product design or specifications.

L/HBL6GR2D/D | 08/17
 © 2017 Honeywell International Inc.

