

iDS-TCV500-B(I)/IM Tyre and Axle Recognition Unit



- High quality imaging with 5 MP resolution (2/3" GMOS).
- Excellent low-light performance. Color: 0.001 Lux @ (F1.4, AGC ON), 0.0005 Lux with IR.
- Efficient H.265 compression technology.
- 3D DNR technology delivers clean and sharp images.
- Supports stitching the vehicle side pictures into an overview picture, outputting pictures of max. 32768 × 2048 resolution.
- Axle and tyre type recognition.
- Vehicle door text and container No. recognition.

**Note: The device needs to be used with the matched side-mounting bracket.*

▪ Specification

Camera	
Image Sensor	2/3" GMOS
Max. Resolution	2464 × 2056
Min. Illumination	Color: 0.001 Lux @ (F1.4, AGC ON), B/W: 0.0005 Lux with IR
Shutter Time	50 to 20000 μs
Day & Night	IR cut filter
Lens	
Focus	Manual
Aperture	F1.4-C
Illuminator	
Built-in Supplement Light Range	Up to 30 m
IR Wavelength	850 nm
External Supplement Light	Strobe light,Flash light
Video	
Main Stream	50 Hz: 50 fps (2464 × 2056, 2448 × 2048, 2048 × 1536, 1920 × 1080, 704 × 576) 60 Hz: 30 fps (2464 × 2056, 2448 × 2048, 2048 × 1536, 1920 × 1080, 704 × 576)
Sub-Stream	50 Hz: 50 fps (2448 × 2048, 2048 × 1536, 1920 × 1080, 704 × 576) 60 Hz: 30 fps (2448 × 2048, 2048 × 1536, 1920 × 1080, 704 × 576)
Third Stream	50 Hz: 50 fps (2048 × 1536, 1920 × 1080, 704 × 576) 60 Hz: 30 fps (2048 × 1536, 1920 × 1080, 704 × 576)
Video Compression	Main stream: H.265/H.264/MJPEG,Sub-stream: H.265/H.264/MJPEG,Third stream: H.265/H.264/MJPEG
Video Bit Rate	32 Kbps to 16 Mbps
H.264 Type	Baseline Profile,Main Profile,High Profile
H.265 Type	Baseline Profile,Main Profile,High Profile
Network	
Protocols	TCP/IP,ICMP,HTTP,HTTPS,FTP,DNS,RTP,RTSP,RTCP,NTP,SNMP,IGMP,802.1X,IPv4/IPv6,UDP,ISUP,ARP
Simultaneous Live View	Up to 6 channels
API	ONVIF (PROFILE S, PROFILE G, PROFILE T),ISAPI,SDK,ISUP
User/Host	Up to 32 users,3 user levels: administrator, operator, and user
Security	Password protection,HTTPS encryption,Control timeout settings,Complicated password
Network Storage	Micro SD/TF card (512 GB),Local storage,CVR,NVR,ANR
Client	iVMS-4200 (Only for live view and LPR information search),Hik-Central Master,Hik-Central Pro,HikCentral Master Lite
Web Browser	Chrome V61+, IE9 to IE11, Firefox V41+, Edge
Image	
Image Settings	Rotate mode,Saturatio,Brightness,Contrast,Sharpness,White balance,AGC,Adjustable by client software or web browser.
Day/Night Switch	Auto,Schedule,Manual
SNR	≥ 60 dB
Image Enhancement	BLC,HLC,3D DNR

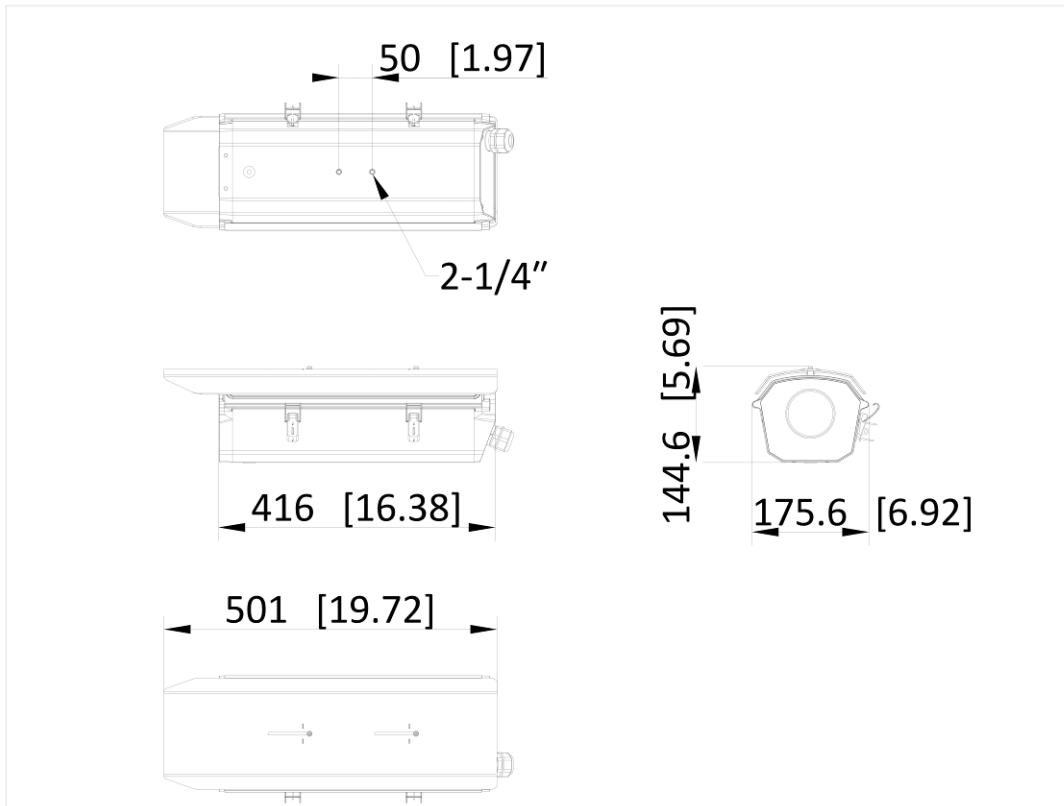
Interface	
Ethernet Interface	2 RJ45 10 M/100 M/1000 M self-adaptive Ethernet port(s)
On-Board Storage	Built-in memory card slot, supporting microSD/SDHC/SDXC card, up to 512 GB
Alarm	2 input interfaces (T1, SYNC), 7 output interfaces
RS-485	3 RS-485 (half duplex, HIKVISION)
RS-232	1 RS-232
USB	1 USB 2.0 interface(s)
Event	
Basic Event	HDD error,Network disconnected,IP address conflict
General	
Operating System	Linux
Power	AC 100 V to 240 V, 1.5 A, max. 35 W, 3-core terminal block
Material	Aluminum alloy
Dimension	175.7 mm × 141.1 mm × 500.5 mm (6.92" × 5.56" × 19.70")
Package Dimension	357 mm × 224 mm × 667 mm (14.06" × 8.82" × 26.26")
Weight	Approx. 5.13x kg (11.30x lb.)
With Package Weight	Approx. 7.4x kg (16.31x lb.)
Operating Condition	-40 °C to 70 °C (-40 °F to 158 °F). Humidity: 5% to 95% (non-condensing)
General Function	One-key reset,Three streams,Heartbeat>Password protection
Heater	Supported
Language	7 languages: English, Russian, Croatian, Korean, Russian, Traditional Chinese, Ukrainian
Storage Condition	-30 °C to 70 °C (-22 °F to 158 °F). Humidity 95% or less (Non-condensing)
Approval	
EMC	CE-EMC: EN 55032: 2015/A11:2020+A1:2020, EN IEC61000-3-2: 2019/A1:2021, EN 61000-3-3: 2013+A1:2019/A2:2021, EN 50130-4: 2011 +A1: 2014
Safety	CB: IEC 62368-1: 2014+A11,CB: IEC 62368-1: 2018+A11
Environment	CE-RoHS: 2011/65/EU
Protection	IK10: IEC 62262:2002,IP67: IEC 60529-2013

▪ Available Model

iDS-TCV500-B(F)/IM/5721/H1

iDS-TCV500-BI(F)/IM/5721/H1

▪ Dimension



L× W× H:501mm× 175.6mm× 144.6mm(19.72× 6.92× 5.69)

Camera Mounting Hole[mm]	Camera Mounting Hole[inch]	Unit: mm [inch]	
2-6.35	2-1/4"	SCALE	1:1

▪ Accessory**▪ Optional**

DS-1278ZJ-HWB Hoop & Bracket	DS-1275ZJ/HKB Hoop & Bracket	DS-1701ZJ/HKB Hoop & Bracket	DS-241ZJ/BJH Hoop & Bracket
			

Headquarters

No.555 Qianmo Road, Binjiang District,
Hangzhou 310051, China
T +86-571-8807-5998
www.hikvision.com



Follow us on social media to get the latest product and solution information.



Hikvision



HikvisionHQ



HikvisionHQ



Hikvision_Global

Hikvision
Corporate Channel

hikvisionhq