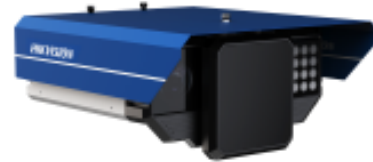


## iDS-TCS907-FER 9 MP All-Rounder Incident Detection Camera



- High quality imaging with 9 MP resolution (1" GMOS) & 80 GHz precise radar
- H.264/H.265 High Profile encoding, maximum Full HD 4096×2160@ 50fps real-time image output
- Color: 0.001 Lux @ (F1.4, AGC ON)
- 3D DNR technology delivers clean and sharp images
- Supports multi-target vehicle trajectory detection and target visualization
- Supports multiple incidents detection: Stopped Vehicle, Driving on the Lane Line, Lane Change, Continuous Lane Change, Wrong-Way Driving, Speeding, Low-Speed, Congestion, Construction, Roadblock, Pedestrian, Fallen Object, Emergency Lane Occupation, Smoke, Fire, Occupied by Animal.
- Supports multiple traffic parameters collection: Traffic Flow, Average Speed, Traffic State, Lane Queue Length, Time Interval of Vehicle Head, Headway Distance, Lane Space Occupancy, Lane Time Occupancy
- Supports two application scenarios: highway and urban expressway

## ▪ Specification

Camera	
Image Sensor	1" GMOS
Max. Resolution	4096 × 2160
Min. Illumination	Color: 0.001 Lux @ (F1.4, AGC ON)
Shutter Time	7 us-20000 us
Lens	
Lens Type	Fixed focal lens, 25 mm
Focal Length & FOV	25 mm, horizontal FOV 32°, vertical FOV 16.8°, diagonal FOV 36.3°
Focus	Auto
Aperture	F1.6-C
Illuminator	
Built-in Supplement Light Type	White light
Supplement Light Number	16
Built-in Supplement Light Range	Up to 40 m
External Supplement Light	Strobe light
Radar	
Working Frequency	79 to 81 GHz
Modulation Waveform	FMCW
Horizontal Detection Angle	± 14°@Narrow Beam, ± 60°@Wide Beam
Vertical Detection Angle	± 4.5°@Narrow Beam, ± 12.6°@Wide Beam
Angle Resolution	1.8°@Narrow Beam, 6.2°@Wide Beam
Sweep Bandwidth	169M Hz @ Narrow Beam, 500M Hz @ Wide Beam
Speed Measurement Accuracy	± 2 km/h
Speed Measuring Range	-250 to +250 km/h
Detection Distance	20 to 350 m
Antenna Beam Width	35° × 16°
Trigger Consistency	≤ ± 1 m
Trigger Mode	Approaching direction, Leaving direction, Bidirection
Coverage Lanes	Up to 4 lane(s)
Video	
Main Stream	50 Hz: 50 fps (4096 × 2160, 3840 × 2160, 3392 × 2008, 3072 × 1728, 2688 × 1520, 1920 × 1080, 1280 × 720) 60 Hz: 30 fps (4096 × 2160, 3840 × 2160, 3392 × 2008, 3072 × 1728, 2688 × 1520, 1920 × 1080, 1280 × 720)
Sub-Stream	50 Hz: 50 fps (3392 × 2008, 2688 × 1520, 1920 × 1080, 1280 × 720) 60 Hz: 30 fps (3392 × 2008, 2688 × 1520, 1920 × 1080, 1280 × 720)
Third Stream	50 Hz: 50 fps (1920 × 1080, 1280 × 720, 704 × 576) 60 Hz: 30 fps (1920 × 1080, 1280 × 720, 704 × 576)
Video Compression	Main stream: H.265/H.264/MJPEG, Sub-stream: H.265/H.264/MJPEG, Third stream: H.265/H.264/MJPEG
Video Bit Rate	32 Kbps to 16 Mbps
H.264 Type	Baseline profile/Main profile/High profile
H.265 Type	Main profile
Scalable Video Coding (SVC)	H.264 and H.265 encoding

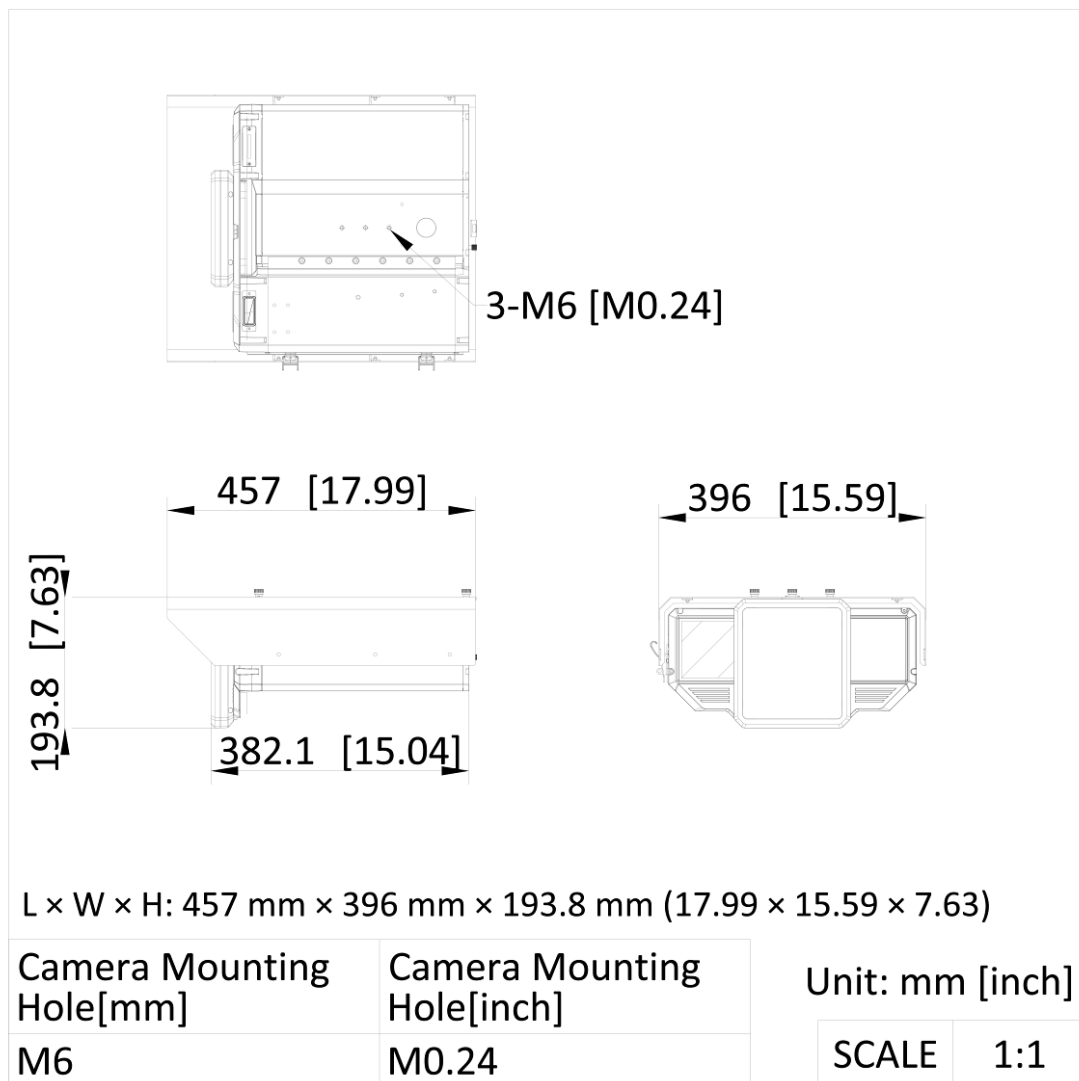
<b>Network</b>	
Protocols	TCP/IP, HTTP, HTTPS, DDNS, RTSP, NTP, FTP, SFTP, DHCP, DNS, RTP, IPv4/IPv6, UDP, SSL/TLS, ICMP, RTCP, SNMP, IGMP, 802.1X, QoS, ISUP, ARP
Simultaneous Live View	Up to 6 channels
API	ONVIF (PROFILE S, PROFILE G, PROFILE T),ISAPI,SDK,ISUP
User/Host	Up to 32 users,3 user levels: administrator, operator, and user
Security	Password protection Complicated password HTTPS encryption Watermark Basic and digest authentication for HTTP/HTTPS RTP/RTSP over HTTPS Control timeout settings Security audit log IP address filter WSSE and digest authentication for ONVIF Host authentication (MAC address)
Network Storage	Micro SD/TF card (512 GB),Local storage,CVR,NVR,ANR
Client	Hik-Central Master,HikCentral Master Lite,Hik-Central Pro
Web Browser	Chrome V61+, IE9 to IE11, Firefox V41+, Edge
<b>Image</b>	
Image Settings	Saturation, brightness, contrast, sharpness, AGC, and white balance are adjustable by client software or web browser
Day/Night Switch	Auto, Schedule, Manual
Image Enhancement	BLC, 3D DNR
<b>Supplement Detection (Satellite Positioning)</b>	
Satellite Positioning	GPS (optional)
<b>Interface</b>	
Ethernet Interface	1 RJ45 10 M/100 M/1000 M self-adaptive Ethernet interface
RS-232	1 RS-232
RS-485	1 RS-485 interfaces (half duplex, HIKVISION)
USB	1 USB 2.0 (5.0 V, 1.0 A) interface(s)
Alarm	6 output interfaces(5V, level signal)
On-Board Storage	Built-in memory card slot, supporting microSD/SDHC/SDXC card, up to 512 GB
Indicator	Supported
<b>Event</b>	
Basic Event	HDD Error, network disconnected, IP address conflicted, vehicle detector exception, traffic light detector exception
<b>Road Traffic and Vehicle Detection</b>	
Coverage	Up to 4 lanes
Trigger Mode	Video trigger

Smart Function	<p>Supports multiple incidents detection: Stopped Vehicle, Driving on the Lane Line, Lane Change, Continuous Lane Change, Wrong-Way Driving, Speeding, Low-Speed, Congestion, Construction, Roadblock, Pedestrian, Fallen Object, Emergency Lane Occupation, Smoke, Fire, Occupied by Animal.</p> <p>Supports multiple traffic parameters collection: Traffic Flow, Average Speed, Traffic State, Lane Queue Length, Time Interval of Vehicle Head, Headway Distance, Lane Space Occupancy, Lane Time Occupancy.</p>
<b>General</b>	
Operating System	Linux
Power	36 VDC ± 20%, 1.9 A, max. 70 W, 2-core terminal block
Material	Aluminum alloy
Dimension	457 mm × 396 mm × 193.8 mm (17.99" × 15.59" × 7.63") (L × W × H)
Package Dimension	535 mm × 500 mm × 390 mm (21.06" × 19.68" × 15.35") (L × W × H)
Weight	Approx. 9.4 kg (20.7 lb.)
With Package Weight	Approx. 15.2 kg (33.5 lb.)
Operating Condition	-30 °C to 70 °C (22 °F to 158 °F). Humidity 95% or less (non-condensing)
Storage Condition	-30 °C to 70 °C (-22 °F to 158 °F). Humidity 95% or less (Non-condensing)
General Function	Heartbeat, Password protection, NTP time adjustment, One-key reset, Watermark
Language	8 languages: English, Thai, Croatian, Korean, Russian, Traditional Chinese, Ukrainian, Spanish
<b>Approval</b>	
RF	CE-RED:EN 301489-1 V2.2.3, EN 301489-3 V2.1.1, EN 301489-17 V3.2.4 , EN 301489-52 V1.2.1 , EN 302264-1 V1.1.1, EN 302 264-2 V1.1.1, EN IEC 62311:2020
EMC	CE-EMC: EN 55032: 2015/A11:2020+A1:2020, EN IEC61000-3-2: 2019/A1:2021, EN 61000-3-3: 2013+A1:2019/A2:2021, EN 50130-4: 2011 +A1: 2014
Safety	CE-LVD: EN 61010-1: 2010+A1: 2019, CB: IEC 61010-1: 2010; IEC 61010-1: 2010/AMD1: 2016
Environment	CE-RoHS: 2011/65/EU,WEEE: 2012/19/EU,Reach: Regulation (EC) No 1907/2006
Protection	IK10: IEC 62262:2002,IP66: IEC 60529-2013

### ▪ Available Model

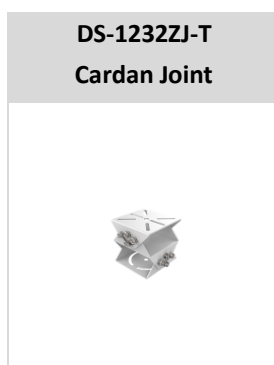
iDS-TCS907-FER/350m/25(AF)

▪ Dimension

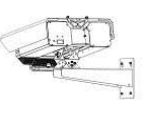


▪ **Accessory**

▪ **Included**



▪ **Optional**

DS-1275ZJ-BJH/600mm Hoop & Bracket	DS-1701ZJ/BJH Hoop & Bracket	DS-1278ZJ-BJH Hoop & Bracket
		
		

**Headquarters**

No.555 Qianmo Road, Binjiang District,  
 Hangzhou 310051, China  
 T +86-571-8807-5998  
 www.hikvision.com



Follow us on social media to get the latest product and solution information.

