

iDS-TCS802-FS 8 MP Radar-Video Fusion Incident Detection Camera



- High quality imaging with 8 MP resolution (1/1.8" CMOS) & 80 GHz MMW radar
- H.264/H.265 High Profile encoding, maximum Full HD 4096 × 2160 @ 25 fps real-time image output
- Color: 0.01 Lux @ (F1.2, AGC ON), B/W: 0.001 Lux @ (F1.2, AGC ON)
- 3D DNR technology delivers clean and sharp images
- Supports multi-target vehicle trajectory detection and target visualization
- Supports multiple incidents detection: Stopped Vehicle, Driving on the Lane Line, Lane Change, Continuous Lane Change, Wrong-Way Driving, Speeding, Congestion, Construction, Roadblock, Pedestrian, Fallen Object, Traffic Accident, Not Slowing Down at Crosswalk, Continuous Lane Change.
- Supports multiple traffic parameters collection: Traffic Flow, Average Speed, Traffic State, Lane Queue Length, Time Interval of Vehicle Head, Headway Distance, Lane Space Occupancy, Lane Time Occupancy
- Supports two application scenarios: urban and intersection

▪ Specification

Camera	
Image Sensor	1/1.8" Progressive Scan CMOS
Max. Resolution	3840 × 2160
Min. Illumination	Color: 0.01 Lux @ (F1.2, AGC ON)
Shutter Time	118 to 40000 μs
Day & Night	IR cut filter
Lens	
Lens Type	Fixed focal lens, 12 mm
Focal Length & FOV	12 mm, horizontal FOV 21°, vertical FOV 37°, diagonal FOV 43°
Iris Type	Fixed iris
Aperture	F1.6-C
Illuminator	
External Supplement Light	Continuous light
Radar	
Working Frequency	79 to 81 GHz
Modulation Waveform	FMCW
Detection Distance	40 to 200 m
Speed Measuring Range	-250 to 250 km/h
Speed Measuring Accuracy	± 2 km/h
Trigger Mode	Approaching direction, Leaving direction, Bidirection
Antenna Beam Width	35° × 16°
Coverage Lanes	Up to 4 lane(s)
Sweep Bandwidth	169M Hz@Narrow Beam, 500M Hz@Wide Beam
Video	
Main Stream	50 Hz: 25 fps (3840 × 2160, 3392 × 2008, 3072 × 1728, 2688 × 1520, 1920 × 1200, 1920 × 1080, 1280 × 720) 60 Hz: 30 fps (3840 × 2160, 3392 × 2008, 3072 × 3072, 2688 × 1520, 1920 × 1200, 1920 × 1080, 1280 × 720)
Sub-Stream	50 Hz: 25 fps (3072 × 1728, 2688 × 1520, 1920 × 1200, 1920 × 1080, 1280 × 720) 60 Hz: 30 fps (3072 × 3072, 2688 × 1520, 1920 × 1200, 1920 × 1080, 1280 × 720)
Third Stream	50 Hz: 25 fps (1920 × 1080, 1280 × 720) 60 Hz: 30 fps (1920 × 1080, 1280 × 720)
Video Compression	Main stream: H.265/H.264/MJPEG, Sub-stream: H.265/H.264/MJPEG, Third stream: H.265/H.264/MJPEG
Video Bit Rate	32 Kbps to 16 Mbps
H.264 Type	Baseline Profile, Main Profile, High Profile
H.265 Type	Main Profile
Scalable Video Coding (SVC)	H.264 and H.265 encoding
Network	
Protocols	TCP/IP, HTTP, HTTPS, FTP, DNS, RTP, RTSP, RTCP, NTP, IPv4/IPv6, UDP, DDNS, ISUP, SNMP, DHCP, 802.1X, QoS
Simultaneous Live View	Up to 6 channels
API	ONVIF (PROFILE S, PROFILE G, PROFILE T), ISAPI, SDK, ISUP, OTAP
User/Host	Up to 32 users, 3 user levels: administrator, operator, and user

Security	Password protection, Complicated password, HTTPS encryption, 802.1X authentication (EAP-PEAP, EAP-LEAP, EAP-MD5), Basic and digest authentication for HTTP/HTTPS, WSSE and digest authentication for ONVIF, RTP/RTSP over HTTPS, Control timeout settings, Security audit log, Host authentication (MAC address)
Network Storage	Micro SD/TF card (512 GB), CVR, NVR, ANR
Client	Hik-Central Master, Hik-Central Pro, HikCentral Master Lite
Web Browser	Chrome V61+, Edge
Image	
Image Settings	Saturation, Brightness, Contrast, Sharpness, Gain, White balance, AGC, Adjustable by client software or web browser.
Day/Night Switch	Auto, Schedule, Manual
Wide Dynamic Range (WDR)	140 dB
Image Enhancement	BLC, HLC, 3D DNR
Interface	
Ethernet Interface	2 RJ45 10 M/100 M/1000 M self-adaptive Ethernet port(s)
On-Board Storage	Built-in memory card slot, supporting microSD/SDHC/SDXC card, up to 512 GB
RS-485	1 RS-485
RS-232	1 RS-232
Event	
Basic Event	HDD error, IP address conflict, Network disconnected
Road Traffic and Vehicle Detection	
Coverage	Up to 4 lane(s)
Trigger Mode	Video trigger
Smart Function	Supports multiple incidents detection: Stopped Vehicle, Driving on the Lane Line, Lane Change, Continuous Lane Change, Wrong-Way Driving, Speeding, Congestion, Construction, Roadblock, Pedestrian, Fallen Object, Traffic Accident, Not Slowing Down at Crosswalk, Continuous Lane Change., Supports multiple traffic parameters collection: Traffic Flow, Average Speed, Traffic State, Lane Queue Length, Time Interval of Vehicle Head, Headway Distance, Lane Space Occupancy, Lane Time Occupancy.
General	
Operating System	linux
Power	DC 36 V ± 20%, 0.8 A, max. 30 W, two-core terminal block
Material	Aluminum alloy
Dimension	226 mm × 206.4 mm × 375.3 mm (8.9" × 8.1" × 14.8") (L × W × H)
Package Dimension	290 mm × 276 mm × 460 mm (11.42" × 10.87" × 18.11") (L × W × H)
Weight	Approx. 3 kg (6.6 lb.)
With Package Weight	Approx. 4.69 kg (10.34 lb.)
Operating Condition	-30 °C to 70 °C (22 °F to 158 °F). Humidity 95% or less (non-condensing)
Storage Condition	-30 °C to 70 °C (-22 °F to 158 °F). Humidity 95% or less (Non-condensing)
General Function	Heartbeat, Password protection, Three streams, One-key reset
Language	8 languages: English, Thai, Croatian, Korean, Russian, Traditional Chinese, Ukrainian, Spanish
Approval	
RF	CE-RED: EN 301489-1 V2.2.3, EN 301489-3 V2.1.1, EN 301489-17 V3.2.4 , EN 301489-52 V1.2.1 , EN 302264-1 V1.1.1, EN 302 264-2 V1.1.1, EN IEC 62311:2020

EMC	CE-EMC: EN 55032: 2015/A11:2020+A1:2020, EN IEC61000-3-2: 2019/A1:2021, EN 61000-3-3: 2013+A1:2019/A2:2021, EN 50130-4: 2011 +A1: 2014
Safety	CE-LVD: EN 61010-1: 2010+A1: 2019, CB: IEC 61010-1: 2010; IEC 61010-1: 2010/AMD1: 2016
Environment	CE-RoHS: 2011/65/EU, WEEE: 2012/19/EU, Reach: Regulation (EC) No 1907/2006
Protection	IK10: IEC 62262:2002, IP67: IEC 60529-2013

▪ Typical Application

Hikvision products are classified into three levels according to their anti-corrosion performance. Refer to the following description to choose for your using environment.

This model has NO SPECIFIC PROTECTION.

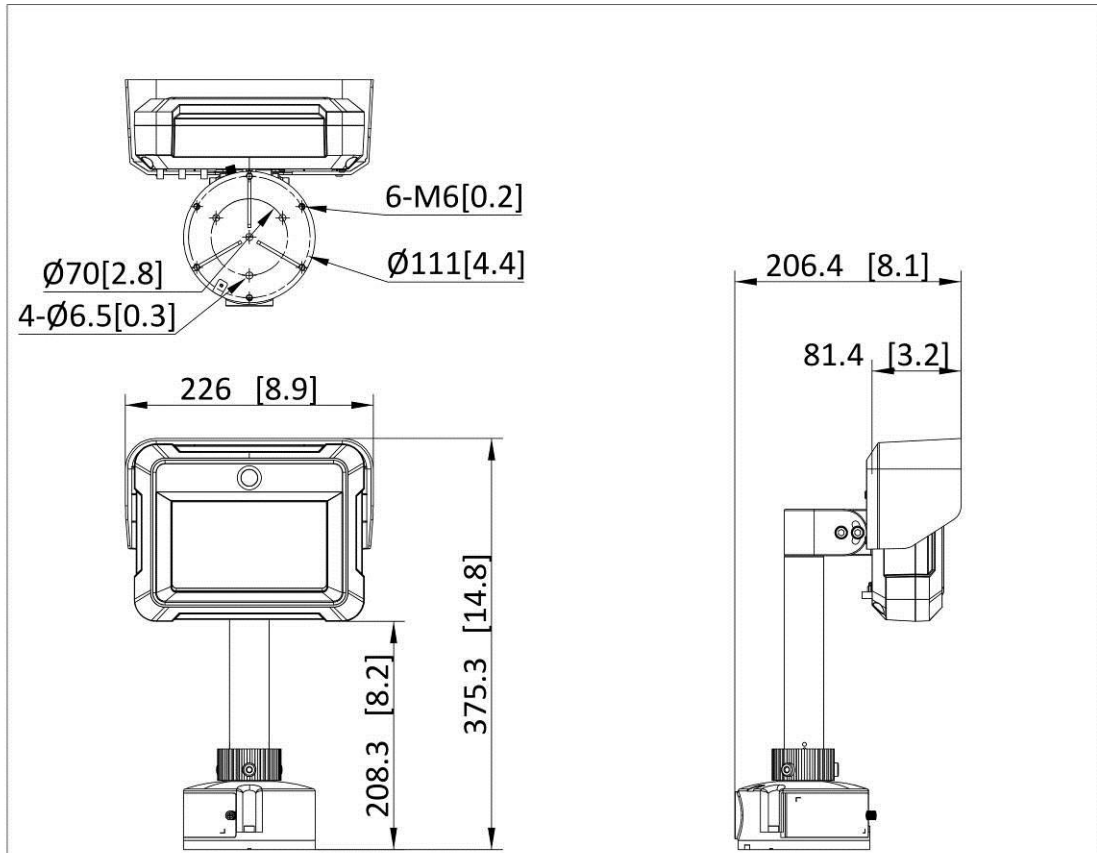
Level	Description
Top-level protection	Hikvision products at this level are equipped for use in areas where professional anti-corrosion protection is a must. Typical application scenarios include coastlines, docks, chemical plants, and more.
Moderate protection	Hikvision products at this level are equipped for use in areas with moderate anti-corrosion demands. Typical application scenarios include coastal areas about 2 kilometers (1.24 miles) away from coastlines, as well as areas affected by acid rain.
No specific protection	Hikvision products at this level are equipped for use in areas where no specific anti-corrosion protection is needed.

▪ Available Model

iDS-TCS802-FS/200m/12

iDS-TCS802-FS/Y/200m/12

▪ Dimension






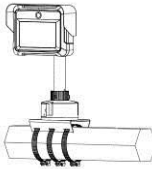


L x W x H: 226 mm x 206.4 mm x 375.3 mm [8.9 x 8.1 x 14.8]

Camera Mounting Hole [mm]	Camera Mounting Hole [inch]	Unit:mm [inch]	
$\Phi 111$ / 6-M6	$\Phi 4.4$ /6-M0.2	SCALE	1:1

▪ **Accessory**

▪ **Optional**

DS-1701ZJ/BJH Hoop & Bracket	DS-1275ZJ-BJH/600mm Hoop & Bracket	DS-1278ZJ-BJH Hoop & Bracket
		
		

Headquarters

No.555 Qianmo Road, Binjiang District,
Hangzhou 310051, China
T +86-571-8807-5998
www.hikvision.com



Follow us on social media to get the latest product and solution information.

