

## iDS-TCE907-BR 9 MP ANPR Intersection Violation Capture Unit



- All-in-one design, integrating camera, radar and supplement light
- High quality imaging with 9 MP resolution (1" GMOS)
- Excellent low-light performance, color: 0.001 Lux @ (F1.4, AGC ON)
- Support speed detection with built-in 24 GHz radar
- Support license plate recognition (LPR)
- Support vehicle feature recognition: vehicle type/color/manufacturer/license plate color recognition, no-plate vehicle capture
- Violation behaviors detection: running the red light, speeding, driving on lane line, lane change, wrong-way driving detection, etc.
- Supports side mounting with convenient installation and debug

## ▪ Specification

Camera	
Image Sensor	9 MP (1" GMOS)
Max. Resolution	4096 × 2160
Min. Illumination	Color: 0.001 Lux @ (F1.4, AGC ON)
Shutter Time	50 us - 20000 us
Day & Night	24/7 color imaging
Lens	
Lens Type	iDS-TCE907-BR/1140: Varifocal lens, manual adjustment, 11 to 40 mm iDS-TCE907-BR(F)/1140(AF): Varifocal lens, motorized lens, 11 to 40 mm
Focal Length & FOV	11 to 40 mm, horizontal FOV 61.8° to 23.5°, vertical FOV 32.4° to 12.2°, diagonal FOV 70.0° to 26.8°
Focus	Manual, (AF)Model: Auto
Aperture	F1.6-25, (AF)model: F1.6
Illuminator	
Built-in Supplement Light Type	White light
Light Bead	16
Built-in Supplement Light Range	Up to 40 m
External Supplement Light	Strobe and flash light
Radar	
Working Frequency	24.05 to 24.25 GHz
Modulation Waveform	FMCW
Antenna Beam Width	35° × 16°
Detection Distance	40 m
Speed Measuring Range	10 to 320 km/h
Max. Detectable Targets	up to 32
Speed Measuring Accuracy	± 2 km/h
Coverage Lanes	Up to 3 lane(s)
Capture Rate	≥ 95%
Trigger Mode	Approaching direction, Leaving direction, Bidirection
Video	
Main Stream	50 Hz: 50 fps (4096 × 2160, 3840 × 2160, 3392 × 2008, 3072 × 1728, 2688 × 1520, 1920 × 1200, 1920 × 1080) 60 Hz: 30 fps (4096 × 2160, 3840 × 2160, 3392 × 2008, 3072 × 1728, 2688 × 1520, 1920 × 1200, 1920 × 1080)
Sub-Stream	50 Hz: 50 fps (3392 × 2008, 2688 × 1520, 1920 × 1080, 1280 × 720, 704 × 576) 60 Hz: 30 fps (3392 × 2008, 2688 × 1520, 1920 × 1080, 1280 × 720, 704 × 576)
Third Stream	50 Hz: 50 fps (1920 × 1080, 1280 × 720, 704 × 576) 60 Hz: 30 fps (1920 × 1080, 1280 × 720, 704 × 576)
Video Compression	Main stream: H.265/H.264/MJPEG Sub-stream: H.265/H.264/MJPEG Third stream: H.265/H.264/MJPEG

Video Bit Rate	32 Kbps to 16 Mbps
H.264 Type	Baseline profile/Main profile/High profile
H.265 Type	Main profile
<b>Network</b>	
Protocols	TCP/IP, HTTP, HTTPS, FTP, DHCP, DNS, DDNS, RTP, RTSP, RTCP, NTP, IPv4, IPv6, UDP, SNMP, 802.1X, QoS
Simultaneous Live View	Up to 6 channels
API	ONVIF (PROFILE S, PROFILE G, PROFILE T), ISAPI, SDK, ISUP, OTAP
User/Host	Up to 32 users 3 user levels: administrator, operator, and user
Security	Password protection, Complicated password, HTTPS encryption, 802.1X authentication (EAP-PEAP, EAP-LEAP, EAP-MD5), Basic and digest authentication for HTTP/HTTPS, WSSE and digest authentication for ONVIF, Control timeout settings
Network Storage	MicroSD/TF card (512 GB), local storage and CVR, NVR, ANR
Client	iVMS-4200 (Only for live view and LPR information search), Hik-Central Master, Hik-Central Enterprise, HikCentral Master Lite
Web Browser	Chrome V61+, IE9 - IE11, Firefox V40+, Edge, plug-in free live view supported
<b>Image</b>	
Image Settings	Saturation, brightness, contrast, sharpness, AGC, and white balance are adjustable by client software or web browser.
Day/Night Switch	Auto/Scheduled/Triggered by alarm in
SNR	60 dB
Image Enhancement	BLC, HLC, 3D DNR
<b>Supplement Detection (Satellite Positioning)</b>	
Satellite Positioning	Optional
<b>Interface</b>	
Ethernet Interface	1 RJ-45 10 M/100 M/1000 M self-adaptive Ethernet interface
On-board Storage	Built-in memory card slot, support microSD/SDHC/SDXC card, up to 512 GB
Temperature Sensor	Optional
Alarm	6 output interfaces
RS-485	1 RS-485 interface
<b>Event</b>	
Basic Event	HDD Error, network disconnected, IP address conflicted, vehicle detector exception, traffic light detector exception
<b>Road Traffic and Vehicle Detection</b>	
Coverage	Up to 3 lanes
Trigger Mode	External I/O trigger/Radar trigger/Video trigger
Smart Function	License plate recognition, Vehicle type classification, Vehicle color recognition, No-plate vehicle capture, Moving direction detection

LPR Countries/Regions	<p>Middle East: The United Arab Emirates (Abu Dhabi, Ajman, Dubai, Fujairah, Ras Al Khaimah, Sharjah and Umm Al Quwain), Qatar, Iraq, Egypt, Jordan, Kuwait, Saudi Arabia, Pakistan, Oman, Lebanon, Bahrain</p> <p>Africa: Nigeria, Kenya, Ivory Coast, South Africa, Tanzania, Mauritius, Morocco, Tunisia, Sierra Leone, Zambia, Ghana, Zimbabwe, Uganda, Angola, Ethiopia, Senegal, Algeria</p> <p>Asia-Pacific: Australia, New Zealand, Indonesia, Malaysia, Singapore, South Korea, Thailand, Vietnam, the Philippines, Hong Kong, Macao, Taiwan, Myanmar, India, Mongolia, Cambodia, Laos, Bangladesh, Nepal, Sri Lanka</p> <p>America: Canada, Argentina, Chile, Paraguay, Uruguay, El Salvador, Bolivia, Colombia, Brazil, Ecuador, Peru, Mexico, Panama, Costa Rica, Trinidad and Tobago, the Dominican Republic, Guatemala</p> <p>Europe: Turkey, Croatia, Slovakia, Czech Republic, Bulgaria, the Republic of North Macedonia, Hungary, Greece, Poland, France, Netherlands, Switzerland, Spain, the UK, Ireland, Germany, Italy, Austria, Israel, Palestinian, Belgium, Luxembourg, Albania, Kosovo, Serbia, Romania, Montenegro, Denmark, Finland, Sweden, Slovenia, Portugal, Malta, Cyprus, Iceland, Liechtenstein, Bosnia and Herzegovina</p> <p>Russian-Speaking Regions: Azerbaijan, Belarus, Kazakhstan, Lithuania, Georgia, Estonia, Latvia, Russia, Ukraine, Moldova, Uzbekistan, Kyrgyzstan, Armenia, Turkmenistan, Tajikistan</p>
Accuracy (Under recommended installation and lighting conditions)	<p>Capture rate &gt; 99%, Vehicle moving direction recognition accuracy &gt; 98.5%, LPR accuracy &gt; 98%, Mistaken capture rate &lt; 2%</p>
No License Plate Detection	Supported
Motorcycle LPR	Supported
Vehicle Type	Car/Van/Bus/Truck/Light Truck/SUV_MPV/Pickup/Pedestrian/Motorcycle/Tricycle
Vehicle Color	Red, yellow, green, blue, pink, purple, cyan, brown, white, grey, black
Vehicle Manufacturer	<p>84 manufacturers: Hyundai, Toyota, KIA, Honda, Volkswagen, Benz, Nissan, Ford, Isuzu, BMW, Chevrolet, Mitsubishi, Renault, Opel, Suzuki, Skoda, Daewoo, Audi, Mazda, GAC HINO, Peugeot, SsangYong, Citroen, Fiat, Scania, MAN, Volvo, Lexus, Seat, Land Rover, Daihatsu,</p> <p>Dongwo, Subaru, Iveco, MINI, JEEP, Porsche, Chery, Dodge, Chrysler, Acura, Alfa Romeo, Great Wall, Infiniti, Smart, Saic Maxus, JAC, Jaguar, GMC, Lincoln, JMC, SAAB, FAW, Yutong, Guangzhou Yunbao, Joylong, Geely, Cadillac, JBC, An'kai, Haima, Foton, King Long, Dongfeng, Geely-Emgrand, Perodua, UD, BYD, Renault Samsung, Proton, HICOM, Malaysia_Unknown 1, Hyundai-Rohens, SsangYong-Old Version, Equus-Old Version, CNHTC, Rolls-Royce, Beiben Truck, Haval, Hino, Kia-Borrego, Chang'an, Alfa, FORO</p>
License Plate Color Recognition	Customized to support
Driving on Lane Line Detection	Supported (only strobe light mode)
Lane Change Detection	Supported (only strobe light mode)
Wrong-way Driving Detection	Supported

Emergency Lane Occupation	Supported (truck forbidden lane, emergency lane, urban bus lane)
Capture Speed Range	10 to 320 km/h
<b>General</b>	
Operating System	Linux
Power	DC 36 V ± 20%, 2 A, max. 70 W, two-core terminal block
Material	Aluminum alloy
Dimension	369.0 mm × 437.4 mm × 151.1 mm (15.59" × 17.22" × 5.95") (L × W × H)
Package Dimension	535 mm × 500 mm × 390 mm (21.06" × 19.68" × 15.35") (L × W × H)
Weight	Approx. 8.00 kg (17.6 lb.)
With Package Weight	Approx. 13.7 kg (30.2 lb.)
Operating Condition	-30 °C to 70 °C (-22 °F to 158 °F). Humidity 95% or less (non-condensing)
Storage Condition	-30 °C to 60 °C (-22 °F to 140 °F). Humidity 95% or less (non-condensing)
General Function	One-key reset, three streams, heartbeat, password protection, watermark
Heater	Supported
Language	8 languages: English, Thai, Croatian, Korean, Russian, Traditional Chinese, Ukrainian, Spanish
<b>Approval</b>	
RF	CE-RED:EN 301489-1 V2.2.3, EN 301489-3 V2.1.1, EN 301489-17 V3.2.4, EN 301489-52 V1.2.1, EN 300440 V2.1.1, EN 302288-2 V1.6.1
EMC	CE-EMC: EN 55032: 2015/A11:2020+A1:2020, EN IEC61000-3-2: 2019/A1:2021, EN 61000-3-3: 2013+A1:2019/A2:2021, EN 50130-4: 2011 +A1: 2014
Safety	CE-LVD: EN 62368-1: 2014+A11: 2017, CB: IEC 62368-1: 2018
Environment	CE-RoHS: 2011/65/EU, WEEE: 2012/19/EU, Reach: Regulation (EC) No 1907/2006
Protection	IK10: IEC 62262:2002, IP66: IEC 60529-2013

## ▪ Typical Application

Hikvision products are classified into three levels according to their anti-corrosion performance. Refer to the following description to choose for your using environment.

This model has No specific protection.

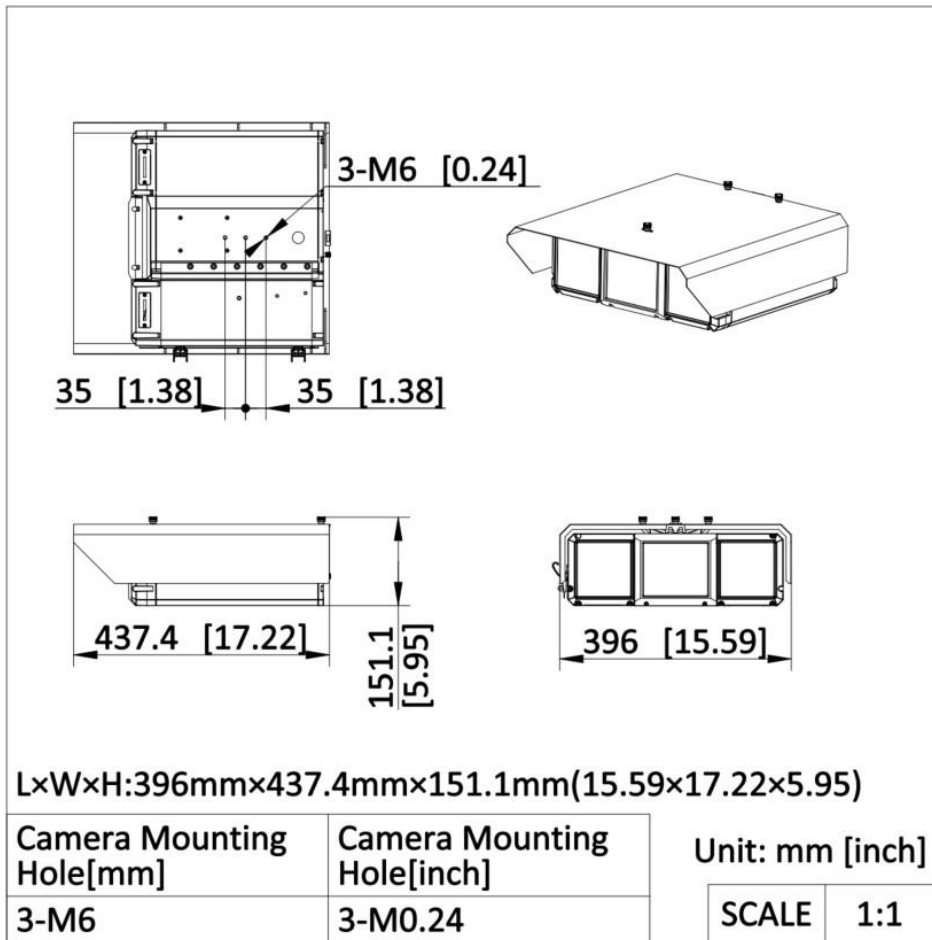
Level	Description
Top-level protection	Hikvision products at this level are equipped for use in areas where professional anti-corrosion protection is a must. Typical application scenarios include coastlines, docks, chemical plants, and more.
Moderate protection	Hikvision products at this level are equipped for use in areas with moderate anti-corrosion demands. Typical application scenarios include coastal areas about 2 kilometers (1.24 miles) away from coastlines, as well as areas affected by acid rain.
No specific protection	Hikvision products at this level are equipped for use in areas where no specific anti-corrosion protection is needed.

## ▪ Available Model

iDS-TCE907-BR/1140

iDS-TCE907-BR(F)/1140(AF)

▪ Dimension





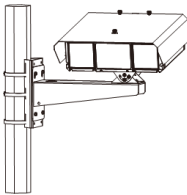
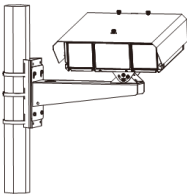
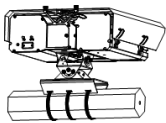
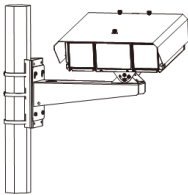


▪ **Accessory**

▪ **Included**



▪ **Optional**

<b>DS-1701ZJ/HWB Hoop &amp; Bracket</b>	<b>DS-1275ZJ-HWB/600 mm Hoop &amp; Bracket</b>	<b>DS-1278ZJ-HWB Hoop &amp; Bracket</b>	<b>DS-1278ZJ-BJH Hoop &amp; Bracket</b>
			
			

**Headquarters**

No.555 Qianmo Road, Binjiang District,  
Hangzhou 310051, China  
T +86-571-8807-5998  
www.hikvision.com



Follow us on social media to get the latest product and solution information.

