

## iDS-9600NXI-I8/S DeepinMind Series NVR

### Key Feature

- H.265+/H.265/H.264+/H.264 video formats
- Intelligent analytics based on deep learning algorithm
- Up to 24-ch perimeter protection
- Up to 16/32/64-ch IP cameras can be connected
- 8 SATA interfaces (up to 10 TB capacity for each HDD)
- Up to 16-ch 1080p decoding capability



### Professional and Reliability

- H.265+ compression effectively reduces the storage space by up to 75%
- Dual-stream recording saves bandwidth
- Adopt stream over TLS encryption technology which provides more secure stream transmission service
- Support double verification for playback and downloading

### HD Video Output

- Provide independent HDMI and VGA outputs
- HDMI video output at up to 4K resolution

### Storage and Playback

- 8 SATA interfaces (up to 10 TB capacity for each HDD)
- Up to 16-ch synchronous playback

### Smart & POS Function

- Support multiple VCA (Video Content Analytics) events
- Configurable special camera smart functions, such as VCA detection (motion, line crossing, intrusion, etc.), heat map, ANPR (Automatic Number-Plate Recognition), and people counting
- POS information overlay on live view and playback, and POS triggered recording and alarm



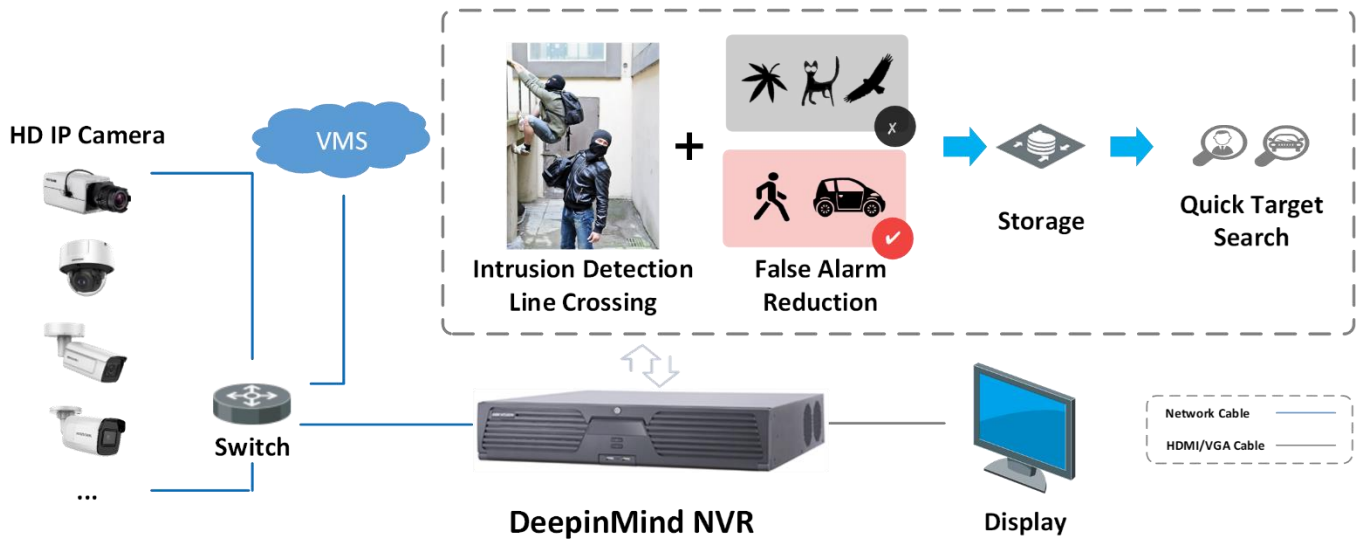
## Network & Ethernet Access

- 2 self-adaptive 10/100/1000 Mbps Ethernet interfaces
- Hik-Connect & DDNS (Dynamic Domain Name System) for easy network management
- Smooth streaming technology
- Support web access without plug-in

## Typical Application

### Perimeter Protection

Adopt deep learning algorithm to reduce false alarm, effectively reduces the false alarm caused by tree branches, leaves, shadow, light, vehicles, small animals, etc.

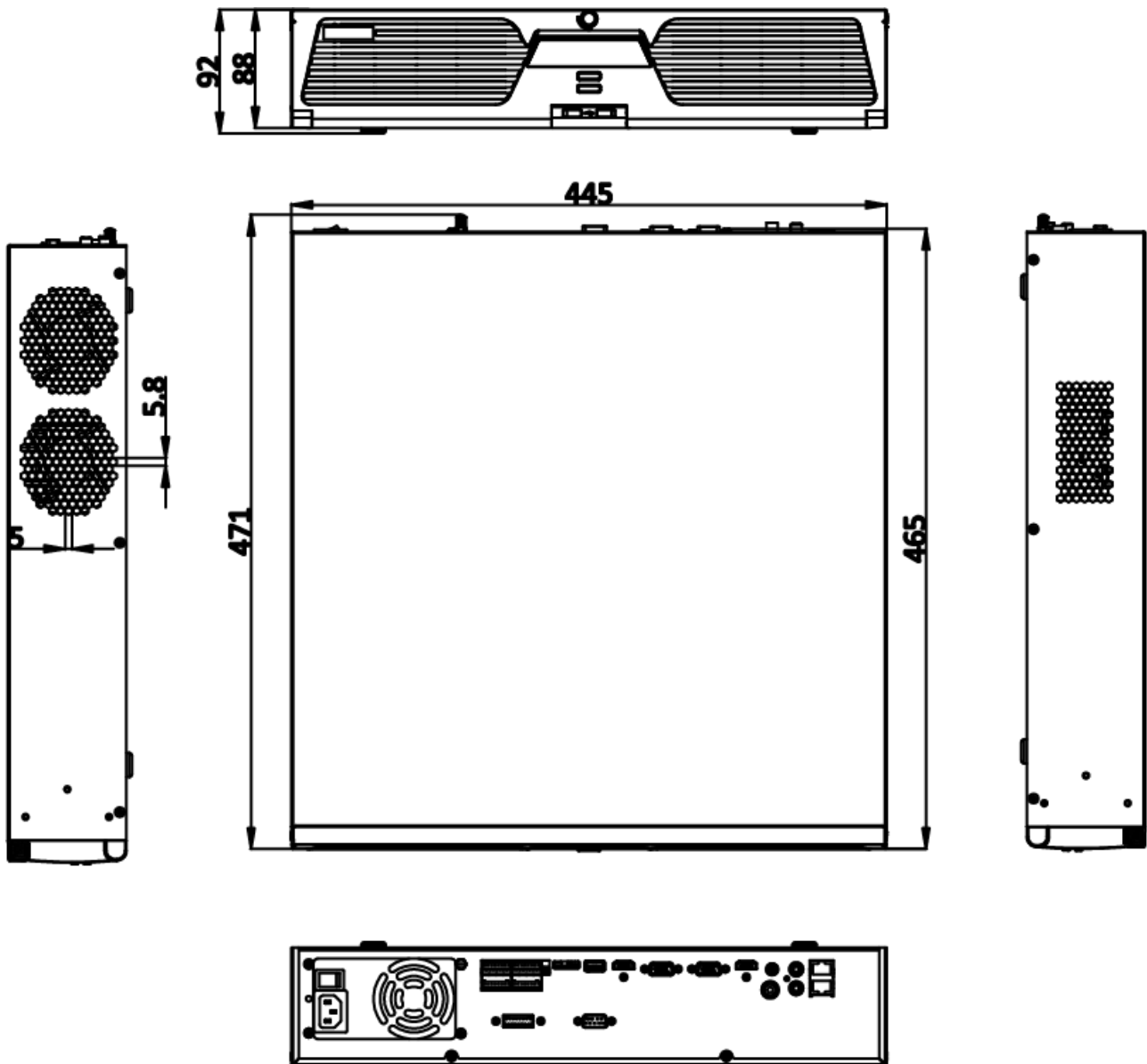


## Specification

Model	iDS-9616NXI-I8/S	iDS-9632NXI-I8/S	iDS-9664NXI-I8/S
<b>Perimeter Protection</b>			
<b>False alarm reduction</b>	Up to 16-ch 4 MP (HD network camera, up to 8 MP, H.264/H.265) video analysis for human and vehicle recognition to reduce false alarm		
<b>Video and Audio</b>			
<b>IP video input</b>	16-ch	32-ch	64-ch
	Up to 12 MP resolution *: 32 MP and 24 MP is only available for channel 1 when ultra HD resolution mode is enabled.		
<b>Incoming/outgoing bandwidth</b>	320 Mbps/256 Mbps		
<b>Incoming/outgoing bandwidth (RAID mode)</b>	200 Mbps/200 Mbps		
<b>HDMI1 output</b>	1-ch, 4K (3840 × 2160)/60Hz, 4K (3840 × 2160)/30Hz, 2K (2560 × 1440)/60Hz, 1920 × 1080/60Hz, 1600 × 1200/60Hz, 1280 × 1024/60Hz, 1280 × 720/60Hz, 1024 × 768/60Hz		
<b>HDMI2 output</b>	1-ch, 1920 × 1080/60Hz, 1280 × 1024/60Hz, 1280 × 720/60Hz, 1024 × 768/60Hz,		
<b>VGA1 output</b>	1-ch, 1920 × 1080/60Hz, 1280 × 1024/60Hz, 1280 × 720/60Hz, 1024 × 768/60Hz		
<b>VGA2 output</b>	1-ch, 1920 × 1080/60Hz, 1280 × 1024/60Hz, 1280 × 720/60Hz, 1024 × 768/60Hz		
<b>Video output mode</b>	HDMI1/VGA1 simultaneous output, HDMI2/VGA2 simultaneous output		
<b>CVBS output</b>	N/A		
<b>Audio output</b>	2-ch, RCA (Linear, 1 KΩ)		
<b>Two-way audio input</b>	1-ch, RCA (2.0 Vp-p, 1 KΩ)		
<b>Decoding</b>			
<b>Decoding format</b>	H.265/H.265+/H.264/H.264+/MPEG4		
<b>Recording resolution</b>	32 MP/24 MP/12 MP/8 MP/6 MP/5 MP/4 MP/3 MP/1080p/UXGA/720p/VGA /4CIF/DCIF /2CIF/CIF/QCIF *: 32 MP and 24 MP is only available for channel 1 when ultra HD resolution mode is enabled.		
<b>Synchronous playback</b>	16-ch		
<b>Capability</b>	1-ch@32 MP (30 fps)/16-ch@1080p (30 fps)		
<b>Dual stream recording</b>	Support		
<b>Stream type</b>	Video, Video & Audio		
<b>Audio compression</b>	G.711ulaw/G.711alaw/G.722/G.726/MP2L2		
<b>Network</b>			
<b>Remote connections</b>	128		
<b>Network protocol</b>	TCP/IP, DHCP, IPv4, IPv6, DNS, DDNS, NTP, RTSP, SADP, SMTP, SNMP, NFS, iSCSI, ISUP, UPnP™, HTTP, HTTPS		
<b>Network interface</b>	2, RJ-45 10/100/1000 Mbps self-adaptive Ethernet interface		
<b>RAID</b>			
<b>RAID Type</b>	RAID0, RAID1, RAID5, RAID6, RAID10		
<b>Auxiliary interface</b>			
<b>Serial port</b>	RS-232; RS-485; Keyboard		

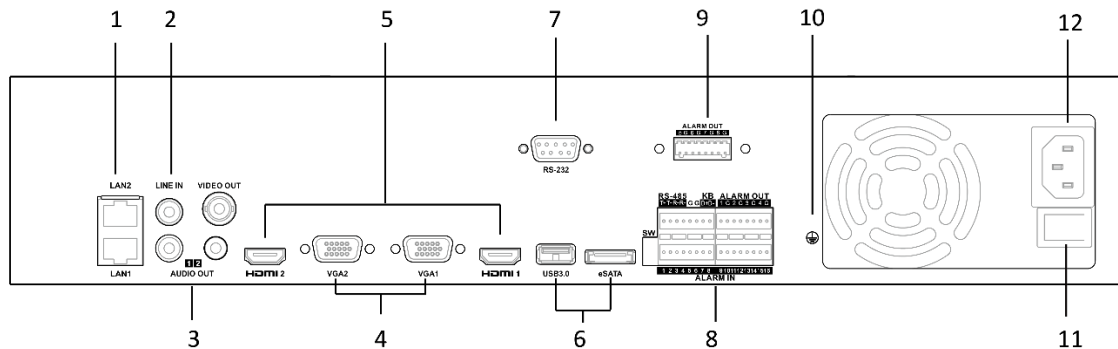
<b>SATA</b>	8 SATA interfaces
<b>Capacity</b>	Up to 10 TB capacity for each disk
<b>eSATA</b>	1 eSATA interface
<b>Alarm in/out</b>	16/8
<b>USB interface</b>	Front panel: 2 × USB 2.0; Rear panel: 1 × USB 3.0
<b>General</b>	
<b>Power supply</b>	100 to 240 VAC, 50 to 60 Hz
<b>Consumption (without HDD)</b>	≤ 70 W
<b>Working temperature</b>	-10 to +55° C (+14 to +131° F)
<b>Working humidity</b>	10% to 90%
<b>Dimension (W × D × H)</b>	445 × 465 × 92 mm (17.5"× 18.3" × 3.6")
<b>Weight (without HDD)</b>	≤ 10 kg (22 lb)
<b>Certification</b>	
<b>Obtained Certification</b>	CE, FCC, UL, CB, WEEE, BIS, IC, RCM, KC, LOA
<b>FCC</b>	Part 15 Subpart B, ANSI C63.4-2014
<b>CE</b>	EN 55032:2015, EN 61000-3-2, EN 61000-3-3, EN 50130-4

Dimension



scale/1:1;Unit/mm

## Physical Interface



No.	Description	No.	Description
1	LAN1/LAN2 Interface	7	RS-232 Interface
2	LINE IN	8	ALARM IN/OUT, RS-485, Keyboard
3	AUDIO OUT	9	ALARM OUT
4	VGA1/VGA2 Interface	10	GND
5	HDMI1/HDMI2 Interface	11	Power Switch
6	USB 3.0 and eSATA Interface	12	100 to 240 VAC Power Supply

## Available Model

iDS-9616NXI-I8/S, iDS-9632NXI-I8/S, iDS-9664NXI-I8/S

Distributed by



## HIKVISION®

### Headquarters

No.555 Qianmo Road, Binjiang District,  
Hangzhou 310051, China  
T +86-571-8807-5998  
overseasbusiness@hikvision.com

**Hikvision USA**  
T +1-909-895-0400  
sales.usa@hikvision.com

**Hikvision Australia**  
T +61-2-8599-4233  
salesau@hikvision.com

**Hikvision India**  
T +91-22-28469900  
sales@pramahikvision.com

**Hikvision Canada**  
T +1-866-200-6690  
sales.canada@hikvision.com

**Hikvision Thailand**  
T +662-275-9949  
sales.thailand@hikvision.com

**Hikvision Europe**  
T +31-23-5542770  
sales.eu@hikvision.com

**Hikvision Italy**  
T +39-0438-6902  
info.it@hikvision.com

**Hikvision Brazil**  
T +55 11 3318-0050  
Latam.support@hikvision.com

**Hikvision Turkey**  
T +90 [216]521 7070- 7074  
sales.tr@hikvision.com

**Hikvision Malaysia**  
T +601-7652-2413  
sales.my@hikvision.com

**Hikvision UK & Ireland**  
T +01628-902140  
sales.uk@hikvision.com

**Hikvision South Africa**  
Tel: +27 (10) 0351172  
sale.africa@hikvision.com

**Hikvision France**  
T +33(0)1-85-330-450  
info.fr@hikvision.com

**Hikvision Kazakhstan**  
T +7-727-9730667  
nikia.panfilov@hikvision.ru

**Hikvision Vietnam**  
T +84-974270888  
sales.vt@hikvision.com

**Hikvision UAE**  
T +971-4-4432090  
salesme@hikvision.com

**Hikvision Singapore**  
T +65-6684-4718  
sg@hikvision.com

**Hikvision Spain**  
T +34-91-737-16-55  
info.es@hikvision.com

**Hikvision Tashkent**  
T +99-87-1238-9438  
uzb@hikvision.ru

**Hikvision Hong Kong**  
T +852-2151-1761  
info.hk@hikvision.com

**Hikvision Russia**  
T +7-495-669-67-99  
saleru@hikvision.com

**Hikvision Korea**  
T +82-(0)31-731-8817  
sales.korea@hikvision.com

**Hikvision Poland**  
T +48-22-460-01-50  
info.pl@hikvision.com

**Hikvision Indonesia**  
T +62-21-2933759  
Sales.Indonesia@hikvision.com

**Hikvision Colombia**  
sales.colombia@hikvision.com

04407202010129