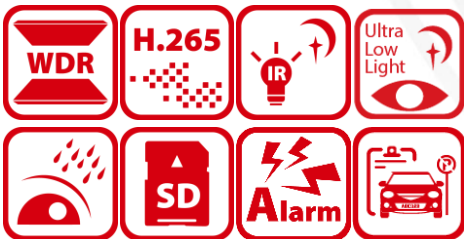


iDS-2VS435-F840-EY 4 MP 40 × Network IR Traffic PTZ Camera

DarkFighter



Hikvision iDS-2VS435-F840-EY 4 MP 40 × Network IR Traffic PTZ Camera is able to capture high quality colored images in dim light environment. With the 40 × optical zoom lens, the camera offers more details over expansive areas.

The network IR traffic PTZ camera features complete traffic violation enforcement functions. Detection, capturing, storage and transmission of traffic violation events are supported.

This series of PTZ camera is applied to perform multiple traffic violation detections.

- Up to 2560 × 1440 resolution
- Min. illumination
Color: 0.002 Lux @(F1.3, AGC ON)
B/W: 0.0002 Lux @(F1.3, AGC ON)
0 Lux with IR
- 40 × optical zoom, 16 × digital zoom
- 140dB WDR, 3D DNR, HLC, BLC, EIS, defog
- 400 m IR distance
- H.265+/H.265 video compression
- Multiple violations supported: illegal parking detection, reverse driving detection, over lane line detection, illegal lane change detection, vehicle on non-motor vehicle lane, U-turning detection
- IP67
- Anti-corrosion: NEMA 4X



Specifications

Camera Module	
Image Sensor	1/1.8" progressive scan CMOS
Min. Illumination	Color: 0.002 Lux @(F1.3, AGC ON); B/W: 0.0002 Lux @(F1.3, AGC ON); 0 Lux with IR
White Balance	Auto/Manual/ATW (Auto-tracking White Balance)/Indoor/Outdoor/Fluorescent Lamp/Sodium Lamp
Gain	Auto/Manual
Shutter Time	1 to 1/30,000 s
Day & Night	IR Cut Filter
Digital Zoom	16 ×
Privacy Mask	24 programmable privacy masks, mask color configurable
Focus Mode	Auto/Semi-automatic/Manual
WDR	140 dB WDR
SNR	≥55 dB
Lens	
Focal Length	6 to 240 mm, 40 × optical zoom
Zoom Speed	Approx. 4.8 s (optical lens, wide-tele)
Field of View	Horizontal field of view: 56.6° to 1.8° (wide-tele) Vertical field of view: 33.7° to 1.0° (wide-tele) Diagonal field of view: 63.4° to 2.0° (wide-tele)
Aperture Range	F1.3
Illuminator	
IR Distance	400 m
PTZ	
Movement Range (Pan)	360°, endless
Pan Speed	Configurable, from 0.1°/s to 210°/s. Preset speed: 280°/s
Movement Range (Tilt)	-20° to 90° (auto flip)
Tilt Speed	Configurable, from 0.1°/s to 150°/s. Preset speed: 250°/s
Proportional Zoom	Yes
Presets	300
Patrol Scan	8 patrols
Pattern	4 pattern scans
Power-off Memory	Yes
Park Action	Preset/Pattern Scan/Patrol Scan/Auto Scan/Tilt Scan/Random Scan/Frame Scan/Panorama Scan
3D Positioning	Yes
PTZ Position Display	Yes
Preset Freezing	Yes
Scheduled Task	Preset/Pattern Scan/Patrol Scan/Auto Scan/Tilt Scan/Random Scan/Frame Scan/Panorama Scan/Dome Reboot/Dome Adjust/Aux Output

Compression Standard	
Video Compression	H.265/H.264/MJPEG
H.264 Type	Baseline profile/main profile/high profile
H.264+	Yes
H.265+	Yes
Video Bitrate	32 Kbps to 16384 Kbps
Audio Compression	G.711alaw/G.711ulaw/G.722.1/G.726/MP2L2/PCM
Audio Sampling Rate	MP2L2: 16kHz, 32kHz, 44.1kHz, 48kHz, PCM: 8kHz, 16kHz, 32kHz, 44.1kHz, 48kHz
Environment Noise Filtering	Yes
SVC	Yes
Smart Features	
Basic Event	Motion detection, video tampering detection, alarm input, alarm output, exception (HDD full, HDD error, illegal login, network disconnected, IP address conflict)
Enforcement	Illegal parking detection, reverse driving detection, over lane line detection, illegal lane change detection, vehicle on non-motor vehicle lane, U-turning detection
Vehicle Detection	Yes. Capture vehicles and upload pictures.
Alarm Linkage	preset, patrol scan, pattern scan, memory card video recording, alarm output, sending email, notify surveillance center, upload to FTP, white light flashing, smart tracking
Smart Encoding	H.265+, H.264+, low bit rate, ROI, SVC
Smart Record	ANR (Automatic Network Replenishment)
Region of Interest	ROI
Image	
Max. Resolution	2560 × 1440
Main Stream	50Hz: 25 fps (2560 × 1440, 1920 × 1080, 1280 × 960, 1280 × 720) 60Hz: 30 fps (2560 × 1440, 1920 × 1080, 1280 × 960, 1280 × 720)
Sub-Stream	50Hz: 25fps (704 × 576, 640 × 480, 352 × 288) 60Hz: 30fps (704 × 480, 640 × 480, 352 × 240)
Third Stream	50Hz: 25fps (1920 × 1080, 1280 × 960, 1280 × 720, 704 × 576, 640 × 480, 352 × 288) 60Hz: 30fps (1920 × 1080, 1280 × 960, 1280 × 720, 704 × 480, 640 × 480, 352 × 240)
Image Enhancement	BLC, HLC, optical defog, 3D DNR, regional exposure, regional focus
EIS	Yes. Built-in gyroscope to improve EIS performance.
Network	
Network Storage	NAS (NFS, SMB/ CIFS)
Protocols	IPv4/IPv6, HTTP, HTTPS, 802.1x, QoS, FTP, SMTP, UPnP, SNMP, DNS, DDNS, NTP, RTSP, RTCP, RTP, TCP/IP, UDP, IGMP, ICMP, DHCP, PPPoE, Bonjour
API	Open-ended, ONVIF, ISAPI, Hikvision SDK, Third-party management platform, ISUP
Simultaneous Live View	Up to 20 channels
User/Host	Up to 32 users. 3 user levels, administrator, operator and user
Security Measures	User authentication (ID and PW), Host authentication (MAC address); HTTPS encryption; IEEE 802.1x port-based network access control; IP address filtering
Client	iVMS-4200, HikCentral
Web Browser	IE8+, Firefox30+, Safari11+, Chrome41+

Interface	
Audio	1-ch audio input, 2.0 to 2.4Vp-p, 1k Ohm ± 10% 1-ch audio output , line level, impedance: 600Ω
Alarm	7-ch alarm input/2-ch alarm output
Network Interface	RJ45, self-adaptive 10 M/100 M Ethernet interface
On-board Storage	Built-in microSD slot, support microSD/microSDHC/microSDXC cards, up to 256 GB
RS-485	Half duplex, HIKVISION, Pelco-P, Pelco-D, self-adaptive
General	
Power	24 VAC±25%, Hi-PoE max. 62 W, including max. 15 W for IR and max. 5 W for heater
Working Environment	Temperature: -40°C to 70°C (-40°F to 158°F), humidity: ≤ 95%
Wiper	Yes
Protection Level	IP67 standard. Lightning protection, surge protection and voltage transient protection meets IEC61000-4-2-2/3/4/5/6, NEMA 4X anti-corrosion
Material	ADC12
Dimension	Φ266.6 mm × 410 mm (Φ10.51" × 16.14")
Weight	Approx. 8 kg (17.64 lb.)

DORI

The DORI (detect, observe, recognize, identify) distance gives the general idea of the camera ability to distinguish persons or objects within its field of view. It is calculated based on the camera sensor specification and the criteria given by EN 62676-4: 2015.

DORI	Detect	Observe	Recognize	Identify
Definition	25 px/m	63 px/m	125 px/m	250 px/m
Distance (Tele)	3310.3 m (10860.6 ft)	1313.6 m (4309.7 ft)	662.1 m (2172.2 ft)	331.0 m (1086.0 ft)

Available Models

iDS-2VS435-F840-EY (T3)

▪ Typical Application

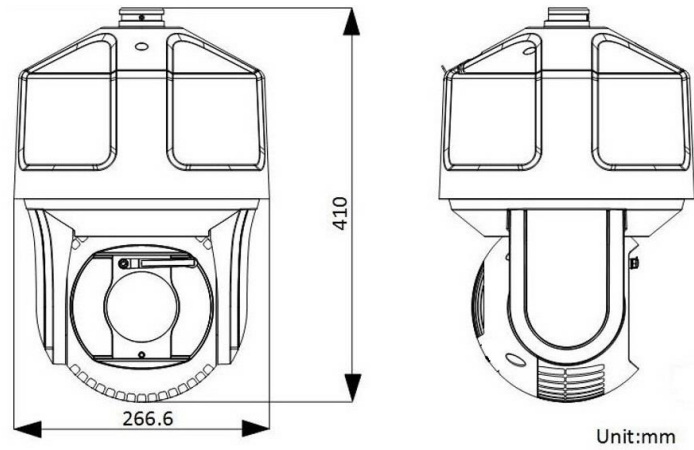
Hikvision products are classified into three levels according to their anti-corrosion performance. Refer to the following description to choose for your using environment.

This model has MODERATE PROTECTION.

Level	Description
Top-level protection	Hikvision products at this level are equipped for use in areas where professional anti-corrosion protection is a must. Typical application scenarios include coastlines, docks, chemical plants, and more.
Moderate protection	Hikvision products at this level are equipped for use in areas with moderate anti-corrosion demands. Typical application scenarios include coastal areas about 2 kilometers (1.24 miles) away from coastlines, as well as areas affected by acid rain.
No specific protection	Hikvision products at this level are equipped for use in areas where no specific anti-

corrosion protection is needed.

Dimension



Unit:mm

Accessory

Included



DS-1681ZJ
Installation Adapter

Optional



DS-1662ZJ-AC
Pendant Mount



DS-1604ZJ-BOX-Y
Wall Mount with Junction
Box



DS-1604ZJ-BOX-Corner-Y
Corner Mount with
Junction Box



TEAC-66-243000V (EU)
MKAC-66-243000U (USA)
TEAC-66-243000VB (UK)
Power adapter



LAS60-57CN-RJ45
Hi-PoE Midspan

Distributed by

**HIKVISION®****Headquarters**

No.555 Qianmo Road, Binjiang District,
Hangzhou 310051, China
T +86-571-8807-5998
overseasbusiness@hikvision.com

Hikvision USA
T +1-909-895-0400
sales.usa@hikvision.com

Hikvision Australia
T +61-2-8599-4233
salesau@hikvision.com

Hikvision India
T +91-22-28469900
sales@pramahikvision.com

Hikvision Canada
T +1-866-200-6690
sales.canada@hikvision.com

Hikvision Thailand
T +662-275-9949
sales.thailand@hikvision.com

Hikvision Europe
T +31-23-5542770
sales.eu@hikvision.com

Hikvision Italy
T +39-0438-6902
info.it@hikvision.com

Hikvision Brazil
T +55 11 3318-0050
Latam.support@hikvision.com

Hikvision Turkey
T +90 (216)521 7070- 7074
sales.tr@hikvision.com

Hikvision Malaysia
T +601-7652-2413
sales.my@hikvision.com

Hikvision UK & Ireland
T +01628-902140
sales.uk@hikvision.com

Hikvision South Africa
Tel: +27 (10) 0351172
sale.africa@hikvision.com

Hikvision France
T +33(0)1-85-330-450
info.fr@hikvision.com

Hikvision Kazakhstan
T +7-727-9730667
nikia.panfilov@hikvision.ru

Hikvision Vietnam
T +84-974270888
sales.vt@hikvision.com

Hikvision UAE
T +971-4-4432090
salesme@hikvision.com

Hikvision Singapore
T +65-6684-4718
sg@hikvision.com

Hikvision Spain
T +34-91-737-16-55
info.es@hikvision.com

Hikvision Tashkent
T +99-87-1238-9438
uzb@hikvision.ru

Hikvision Hong Kong
T +852-2151-1761
info.hk@hikvision.com

Hikvision Russia
T +7-495-669-67-99
sateru@hikvision.com

Hikvision Korea
T +82-(0)31-731-8817
sales.korea@hikvision.com

Hikvision Poland
T +48-22-460-01-50
info.pl@hikvision.com

Hikvision Indonesia
T +62-21-2933759
Sales.Indonesia@hikvision.com

Hikvision Colombia
sales.colombia@hikvision.com