

DS-TCG406-E 4 MP Intelligent Entrance ANPR Camera

DarkFighter ✦



- 1/1.8" progressive scan CMOS.
- Up to 2688 × 1520 resolution with real-time video.
- 4 built-in high-performance LEDs (integrated white light and IR).
- 2.8 to 12 mm/8 to 32 mm motorized vari-focal lens.
- Supports relay output to control vehicle barrier gate.
- Supports Wiegand, connectable with access control system.
- Supports loop triggering, radar triggering, and video triggering LPR.
- Supports multi-frame LPR, improving LPR rate.
- Supports dirty license plate recognition.
- Equipped with vehicles passing detection algorithm to realize auto switch of barrier gate normally open mode during continuous vehicles passing and improve passing efficiency.
- Supports vehicle type, vehicle color, and vehicle brand recognition.
- Integrated shield, lights, and TF card slot (up to 1 TB).
- Up to 100,000 blocklist and allowlist.
- Supports offline control of barrier gate under allowlist mode.
- Supports a variety of installation methods: pole mounting, wall mounting, pendant mounting, and universal joint installation. Equipped with concealed wire box.
- Adopts entrance and exit dedicated exposure algorithm to adapt to the front/back light and inconsistent front and rear license plates scenes to improve LPR accuracy.

▪ Specification

Camera	
Max. Resolution	2688 × 1520
Sensor Type	1/1.8" Progressive Scan CMOS
Min. Illumination	Color: 0.0005 Lux @ (F1.2, AGC ON) B/W: 0.0001 Lux @ (F1.2, AGC ON) 0 Lux with IR
Shutter	1/30 s to 1/100,000 s
Day/Night Switch	Supported
IR Cut Filter	IR cut filter Blue glass module to reduce ghost phenomenon
Lens	
Lens Type	2.8 to 12 mm 8 to 32 mm
Aperture	2.8 to 12 mm: F1.2 to F2.5 8 to 32 mm: F1.7 to F1.73
Focal Length & FoV	2.8 to 12 mm, horizontal FoV: 114.5° to 41.8°, vertical FoV: 59.3° to 23.6°, diagonal FoV: 141.1° to 48°, 8 to 32 mm, horizontal FoV: 42.5° to 15.1°, vertical FoV: 23.3° to 8.64°, diagonal FoV: 49.6° to 17.3°
Focus	Auto, Vari-focal lens, motor-driven lens
Supplement Light	
Supplement Light Type	IR Light, Warm White Light
Supplement Light Range	Video: 2.8 mm to 12 mm: 25 m 8 mm to 32 mm: 50 m Vehicle License Plate: 2.8 mm to 12 mm: 10 m 8 mm to 32 mm: 20 m
IR Wavelength	Warm White Light 3000 K, IR Light 850 nm
Image	
WDR	140 dB
Main Stream	50 Hz: 25 fps (2688 × 1520, 1920 × 1080, 1280 × 720) 60 Hz: 30 fps (2688 × 1520, 1920 × 1080, 1280 × 720)
Sub-Stream	50 Hz: 25 fps (1920 × 1080, 1280 × 720, 704 × 576, 640 × 480) 60 Hz: 30 fps (1920 × 1080, 1280 × 720, 704 × 480, 640 × 480)
Image Settings	Saturation: 0 to 100 Brightness: 0 to 100 Contrast: 0 to 100 Gain: 0 to 100 3D DNR: Off, Normal, and Expert modes are selectable. White balance: White Balance 1 and White Balance 2 are selectable.
Image Parameters Switch	Yes
WDR Switch	On, Time, Brightness
Frame Rate	25 fps (P)/30 fps (N)

Video	
ROI	8 regions respectively for main stream and sub-stream, 6 levels for each region.
Video Compression	Main stream: H.265/H.264/MJPEG, Sub-stream: H.265/H.264/MJPEG,
H.264 Type	Low profile Medium profile High Profile
Video Bit Rate	32 Kbps to 16 Mbps
Bit Rate Type	Constant, Variable
Scalable Video Coding (SVC)	H.265 and H.264 encoding
Capture Mode	
Trigger Type	Video Detection, I/O Coil, Radar Mixed Traffic
Picture Type	Scene Picture, Scene Picture + Close-up Picture
Scene Mode	Entrance & Exit Toll Gate, Underground Parking Entrance & Exit
Capture Type	Strobe Light Mode
Capture Parameters	
Image Format	JPEG
Capture Resolution	2688 × 1520
License Plate Recognition	Forward, Backward, Bidirection
LED Control	Supports automatic light control/time control of LEDs
Smart Recognition	ANPR, Motor Vehicle Feature, Vehicle Color Recognition, Enable Vehicle Manufacturer Recognition
Capture Picture Overlay	Location, Capture Time, Plate Number, Capture No., Vehicle Color Vehicle Type
Entrance and Exit	
Barrier Gate Control Mode	By Camera/Platform/Mixed
Keep Boom Pole Open for Following Vehicle	Enable/Disable
Lock Barrier Gate for Large-Sized Vehicle	Yes
Relay Output	2-ch relay output, supporting opening and closing of barrier gates
Barrier Gate Status	None, Barrier Gate Close In Place, Barrier Gate Open In Place, Remote Control Open In Place
Allowlist and Blocklist	Up to 100,000 allowlist and blocklist totally Note: Only when the TF card is available, can the function take effect.
Network	
Network Storage	NAS (NFS, SMB/CIFS), auto network replenishment (ANR) together with high-end Hikvision memory card, memory card encryption and health detection are supported.
Protocol	TCP/IP, ICMP, HTTP, HTTPS, FTP Upload Picture, SRTP, DHCP, DNS, DDNS, RTP, RTSP, RTCP, NTP, SNMP, IGMP, QoS, IPv6, UDP, SSL/TLS, WebSocket
API	Open Network Video Interface (PROFILE S, PROFILE G, PROFILE T), ISAPI, SDK, ISUP, Otap, Guarding Vision Platform
Client	Hik-Connect, Hik-Central, SDKdemo, PMS
Web Browser	Plug-in required live view: IE10+ Plug-in free live view: Chrome 57.0+, Firefox 52.0+, Safari 11+ Local service: Chrome 41.0+, Firefox 30.0+

Security	Password protection, complicated password, HTTPS encryption, watermark, IP address filter, basic and digest authentication for HTTP/HTTPS, WSSE and digest authentication for Open Network Video Interface, RTP/RTSP OVER HTTPS, Control Timeout Settings, Security Audit Log, TLS 1.2
Interface	
Audio	1 input (line in), 1 output (line out)
Alarm Input	3-ch triggered inputs
Alarm Output	1-ch alarm output
Wiegand	Supported: CardID 26bit, SHA-1 26bit, Hik 34bit, NEWG 72bit
RS-232	1-ch RS-485 serial port
RS-485	1-ch RS-232 serial port
Network Interface	1 RJ45 10M/100M self-adaptive Ethernet port
Memory Card Slot	1 TF card slot, up to 1 TB
General	
Power Supply	12 to 24 VDC/PoE (802.3at, 44 V to 57 V), 300 mA to 230 mA
Working Consumption	10 W Max.
Dimensions	415 mm × 145 mm × 145 mm (16.34 × 5.71 × 5.71 inch)
Protection	IP67; IK10
Weight	3.25 kg (7.17 lb.)
Weight (with Package)	4.3 kg (9.48 lb.)
Package Size	465 mm × 200 mm × 198 mm (18.31 × 7.87 × 7.80 inch)
Storage Conditions	Temperature: -20 °C to 70 °C (- 4°F to 158 °F) Humidity: 95% (non-condensing)
Startup and Operating Conditions	Temperature: -30 °C to 70 °C (-22 °F to 158 °F) Humidity: 95% (non-condensing)
Language	33 languages: English, Russian, Estonian, Bulgarian, Hungarian, Greek, German, Italian, Czech, Slovak, French, Polish, Dutch, Portuguese, Spanish, Romanian, Danish, Swedish, Norwegian, Finnish, Croatian, Slovenian, Serbian, Turkish, Korean, Traditional Chinese, Thai, Vietnamese, Japanese, Latvian, Lithuanian, Portuguese (Brazil), Ukrainian
Approval	
EMC	CE-EMC (EN 55032: 2015, EN 61000-3-2: 2019, EEN 61000-3-3: 2013 + A1: 2019, EN 50130-4: 2011 + A1: 2014); KC (KN 32: 2015, KN 35: 2015)
Security	CB (IEC 62368-1: 2014 + A11); CE-LVD (EN 62368-1: 2014/A11: 2017); BIS (IS 13252 (Part 1): 2010/IEC 60950-1: 2005);
Environment	CE-RoHS (2011/65/EU); WEEE (2012/19/EU); Reach (Regulation (EC) No 1907/2006)
Protection	IK10 (IEC 62262: 2002), IP67 (IEC 60529-2013)
Smart Function	
LPR Accuracy	Capture rate > 98% Vehicle moving direction recognition accuracy > 98.5% LPR accuracy > 98% Mistaken capture rate < 2% European and Russian-Speaking Regions: LPR accuracy > 98% Country/Region recognition accuracy > 95%

Vehicle Type Recognition	Car/Van/Bus/Truck/Light Truck/SUV_MPV/Pickup/Pedestrian/Motorcycle/Tricycle
Vehicle Color	Red, Yellow (including orange, golden), Green, Cyan, Blue, Purple, Pink, Brown, White, Gray (including silver), Black
Vehicle Brand	84 manufacturers: Hyundai, Toyota, KIA, Honda, Volkswagen, Benz, Nissan, Ford, Isuzu, BMW, Chevrolet, Mitsubishi, Renault, Opel, Suzuki, Skoda, Daewoo, Audi, Mazda, GAC HINO, Peugeot, SsangYong, Citroen, Fiat, Scania, MAN, Volvo, Lexus, Seat, Land Rover, Daihatsu, Dongwo, Subaru, Iveco, MINI, JEEP, Porsche, Chery, Dodge, Chrysler, Acura, Alfa Romeo, Great Wall, Infiniti, Smart, Saic Maxus, JAC, Jaguar, GMC, Lincoln, JMC, SAAB, FAW, Yutong, Guangzhou Yunbao, Joylong, Geely, Cadillac, JBC, An'kai, Haima, Foton, King Long, Dongfeng, Geely-Emgrand, Perodua, UD, BYD, Renault Samsung, Proton, HICOM, Malaysia_Unknown 1, Hyundai-Rohens, SsangYong-Old Version, Equus-Old Version, CNHTC, Rolls-Royce, Beiben Truck, Haval, Hino, Kia-Borrego, Chang'an, Alfa, FORO
ANPR Supported Country/Region	<p>Middle East: The United Arab Emirates (Abu Dhabi, Ajman, Dubai, Fujairah, Ras Al Khaimah, Sharjah and Umm Al Quwain), Qatar, Iraq, Egypt, Jordan, Kuwait, Saudi Arabia, Pakistan, Oman, Lebanon, Bahrain</p> <p>Africa: Nigeria, Kenya, Ivory Coast, South Africa, Tanzania, Mauritius, Morocco, Tunisia, Sierra Leone, Zambia, Ghana, Zimbabwe, Uganda, Angola, Ethiopia, Senegal, Algeria</p> <p>Asia-Pacific: Australia, New Zealand, Indonesia, Malaysia, Singapore, South Korea, Thailand, Vietnam, the Philippines, Hong Kong, Macao, Taiwan, Myanmar, India, Mongolia, Cambodia, Laos, Bangladesh, Nepal, Sri Lanka</p> <p>America: Canada, Argentina, Chile, Paraguay, Uruguay, El Salvador, Bolivia, Colombia, Brazil, Ecuador, Peru, Mexico, Panama, Costa Rica, Trinidad and Tobago, the Dominican Republic, Guatemala</p> <p>Europe: Turkey, Croatia, Slovakia, Czech Republic, Bulgaria, the Republic of North Macedonia, Hungary, Greece, Poland, France, Netherlands, Switzerland, Spain, the UK, Ireland, Germany, Italy, Austria, Israel, Palestinian, Belgium, Luxembourg, Albania, Kosovo, Serbia, Romania, Montenegro, Denmark, Finland, Sweden, Slovenia, Portugal, Malta, Cyprus, Iceland, Liechtenstein, Bosnia and Herzegovina</p> <p>Russian-Speaking Regions: Azerbaijan, Belarus, Kazakhstan, Lithuania, Georgia, Estonia, Latvia, Russia, Ukraine, Moldova, Uzbekistan, Kyrgyzstan, Armenia, Turkmenistan, Tajikistan</p>

▪ Available Model

DS-TCG406-E(12V/PoE)(0832)

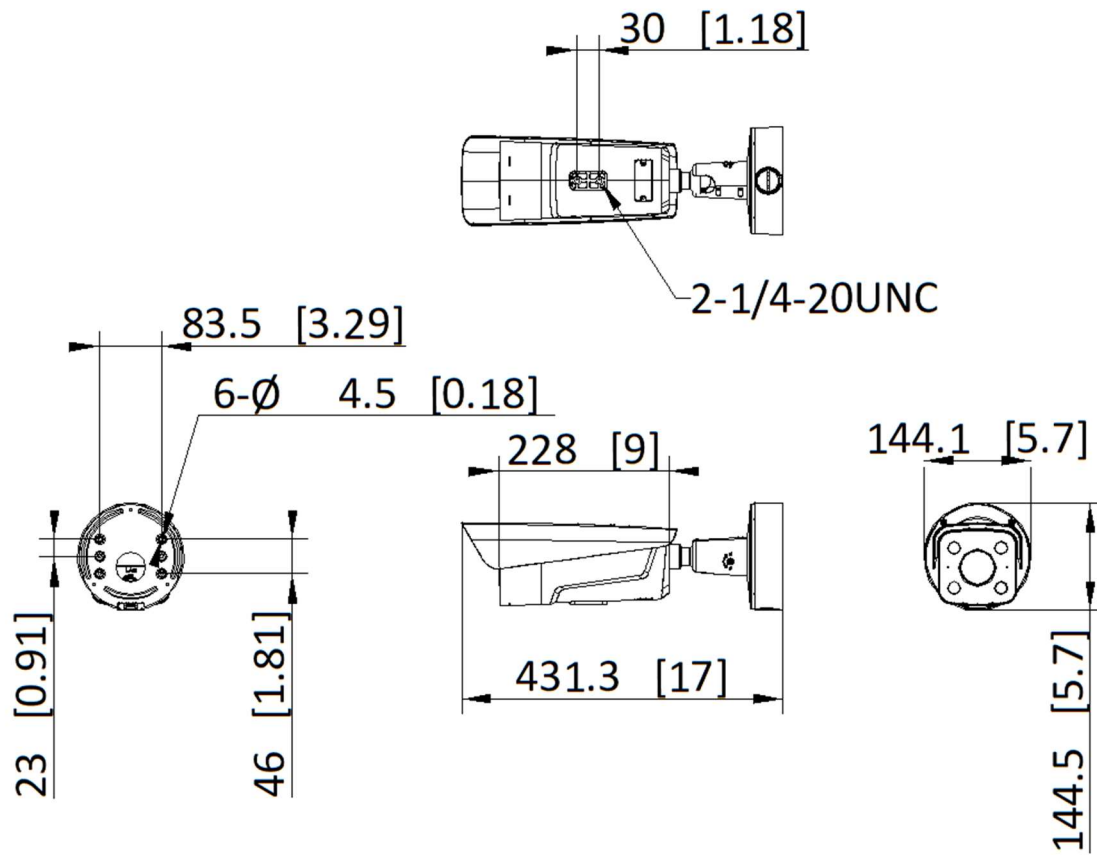
DS-TCG406-E(12V/PoE)(2812)

DS-TCG406-E/MPR/12V/PoE/2812

DS-TCG406-E(12V/PoE/Y)(2812)

DS-TCG406-E(12V/PoE/Y)(0832)

▪ Dimension



▪ Accessory

▪ Optional

DS-1475ZJ-SUS/BJZ Vertical Pole Mount Bracket	DS-1476ZJ-SUS/BJZ Corner Mount Bracket	L1500-X800-R125 Column Bracket	L700-R125 Pole for LPR camera unit TCGX06

See Far, Go Further



www.hikvision.com
support@hikvision.com

