

DS-K1T320EX Face Recognition Terminal



Face recognition terminal adopts deep learning algorithm, which helps to recognize the face faster with higher accuracy. It also supports multiple authentication modes: face/card/PIN authentication, etc. It can be applied in multiple scenarios, such as buildings, enterprises, financial industries, and other important areas.

- 2.4-inch LCD screen, 2 MP lens
- Multiple authentication methods, including face, card, PIN etc.
- Supports EM card
- Max. 500 faces, 1,000 cards, and 100,000 events
- Face recognition duration < 0.2 s/User
- Supports ISAPI and ISUP 5.0 protocols
- Configuration via the web client

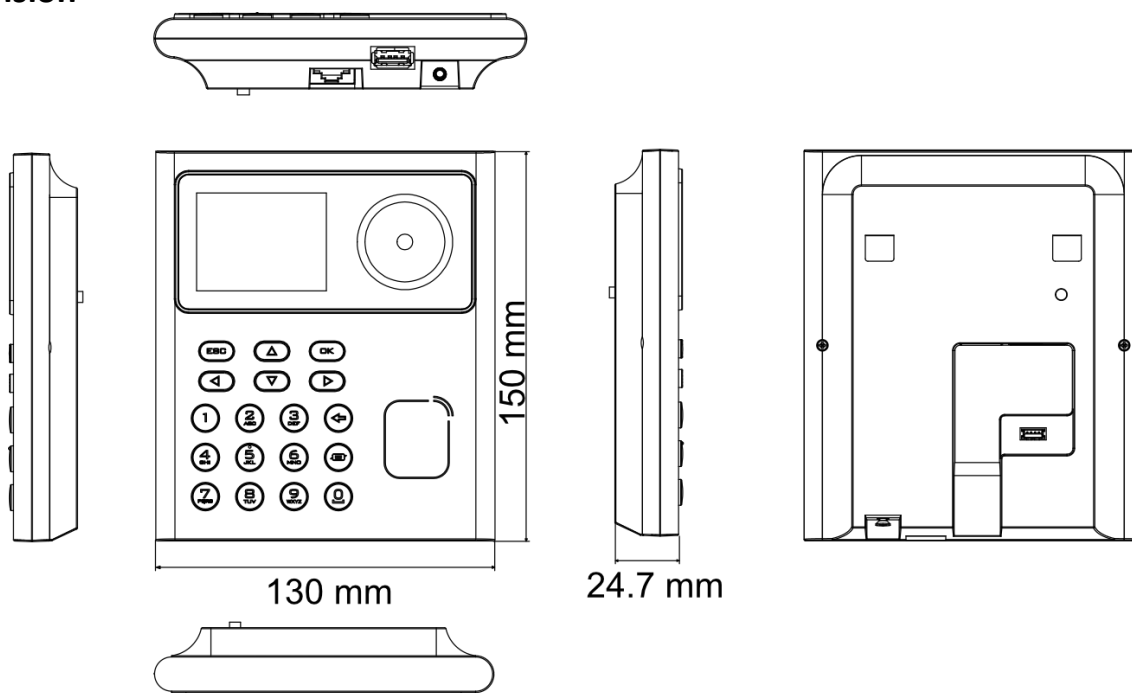
▪ Specification

| System | |
|--------------------------------|---------------------------------|
| Operating system | Linux |
| Display | |
| Screen size | 2.4 inch |
| Type | Display screen |
| Resolution | 320 × 240 |
| Video | |
| Lens | 1 |
| Video compression standard | PAL (Default) and NTSC |
| Resolution | 2 MP (video stream: 720P) |
| FOV | HFOV = 43°; VFOV = 25° |
| Audio | |
| Audio output | Built-in buzzer |
| Network | |
| Wired network | 10 M/100 M self-adaptive |
| Wi-Fi | Not support |
| Interface | |
| Network interface | 1 |
| Lock control | 1 |
| Exit button | 1 |
| Door contact input | 1 |
| TAMPER | 1 |
| USB | 1 |
| Capacity | |
| Face capacity | 500 |
| Card capacity | 1,000 |
| Event capacity | 100,000 |
| Authentication | |
| Face recognition distance | 0.3 m ~ 1.5 m |
| Face recognition accuracy rate | > 99% |
| Face recognition duration | < 0.2 s |
| Card type | EM card |
| Card reading distance | 0 ~ 5 cm |
| Function | |
| Face anti-spoofing | Support |
| General | |
| Built-in access controller | Yes |
| Supplement light | White light |
| Power supply | DC 12 V |
| Power consumption | ≤6 W |
| Working temperature | -10 °C ~ 55 °C (14 °F ~ 131 °F) |
| Working humidity | 0% ~ 90% |

Language

English, Spanish (South America), Arabic, Thai, Indonesian, Russian, Vietnamese,
Portuguese (Brazil), Korean, Japanese**▪ Available Model**

DS-K1T320EX

▪ Dimension

Headquarters

No.555 Qianmo Road, Binjiang District,
Hangzhou 310051, China
T +86-571-8807-5998
www.hikvision.com



Follow us on social media to get the latest product and solution information.

