

DS-2TX3742-15A/P Thermal Smart Linkage Tracking System



Hikvision DS-2TX3742-15A/P Thermal Smart Linkage Tracking Systems is formed by one bi-spectrum bullet camera and one PTZ camera. The PTZ camera smartly tracks multiple moving targets, and the fixed camera offers the panoramic view. The linkage of both can be realized by the client software. The system mainly applies to major industrial infrastructures requiring perimeter prevention, such as: airport, prison, railway, museum, enterprise, high-end villas and others.

Key Feature

- Image processing technology: Adaptive AGC, DDE, 3D DNR, NETD $\leq 35\text{mk}$ (@25°C, F#=1.0)
- 384 × 288 resolution sensor, high sensitivity sensor, supports contrast adjustment. Speed dome supports 42 × optical zoom with over 500 m IR distance.
- Smart analysis and linkage, no VCA Server configuration requirement
- Automatic smart linkage system tracking: Stable and continuous tracking
- Manual smart tracking: Select any region of fixed camera in the client software, the speed dome automatically adjusts PTZ to centralize the selected region
- Supports auto calibration of the view of bi-spectrum bullet camera and the view of PTZ camera



Specification

System Function	
Click Linkage	Yes
Tracking Mode	Manual/Auto
Multi-targets Tracking	Up to 30 targets simultaneously; with up to 110 m effective detecting distance (to human targets) and 309 m effective detecting distance (to vehicle targets)
Switch Time	< 1 s
Smart Linkage Rules	Intrusion Detection, Line Crossing Detection
Tracking Time Configuration	Yes
Sensitivity Configuration	Yes
Bullet Camera- Thermal Module	
Image Sensor	Vanadium Oxide Uncooled Focal Plane Arrays
Resolution	384 × 288
Pixel Interval	17 μm
Response Waveband	8 μm to 14 μm
NETD	≤ 35 mk (@25 °C,F#=1.0)
Focal Length	15 mm
IFOV	1.13 mrad
Field of View	24.5° × 18.5° (H × V)
Min. Focusing Distance	2.5 m
Aperture	F 1.0
Bullet Camera- Optical Module	
Image Sensor	1/2.7" Progressive Scan CMOS
Resolution	2688 × 1520
Min. Focusing Distance	Color: 0.0089 Lux @(F1.6, AGC ON), B/W: 0.0018 Lux @(F1.6, AGC ON)
Shutter Speed	1 s to 1/100,000 s
Field of View	6 mm
Focal Length	51.7° × 28° (H × V)
Aperture	F1.6
WDR	120 dB
Bullet Camera- General	
Main Stream	Optical channel 50 HZ: 25 fps (2688 × 1520, 1920 × 1080, 1280 × 720) 60 HZ: 30 fps (2688 × 1520, 1920 × 1080, 1280 × 720) Thermal channel 25 fps (1280 × 720, 704 × 576, 640 × 480, 352 × 288, 320 × 240)
Sub Stream	Optical channel 50 HZ: 25 fps (704 × 576, 352 × 288, 176 × 144) 60 HZ : 30 fps (704 × 480, 352 × 240, 176 × 120) Thermal channel 25 fps (704 × 576, 352 × 288, 320 × 240)

Video Compression	Main Stream: H.265/H.264 Sub-Stream: H.265/H.264/MJPEG
Audio Compression	G.711u/G.711a/G.722.1/MP2L2/G.726/PCM
Alarm Input	2-ch inputs (0-5 VDC)
Alarm Output	2-ch relay outputs, alarm response actions configurable
Audio Input	1 3.5 mm Mic in/Line in interface. Line input: 2-2.4 V[p-p], output impedance:1 KΩ±10%
Audio Output	Linear level, impedance: 600 Ω
Speed Dome	
Image Sensor	1/1.9" Progressive Scan CMOS
Min. Illumination	Color: 0.002 Lux @ (F1.5, AGC ON), B/W: 0.0002 Lux @ (F1.5, AGC ON), 0 Lux with IR
Resolution	2560 × 1440
Focal Length	6.0-252 mm 42 ×
Digital Zoom	16 ×
Zoom Speed	Approx. 4.8 s (Optical, Wide-Tele)
Field of View	58.7 ° to 2.0 ° (Wide-Tele)
Min. Working Distance	100 mm to 1500 mm (Wide-Tele)
Aperture Range	F 1.2
Focus Mode	Auto/Semi-auto/Manual
WDR	140 dB
Shutter speed	50 Hz: 1s to 30,000 s; 60Hz: 1s to 30,000 s
AGC	Auto/Manual
White Balance	Auto/Manual/ATW (Auto-tracking White Balance)/Indoor/Outdoor/Daylight Lamp/Sodium Lamp
Day & Night	IR cut filter
Privacy Mask	24 programmable privacy masks
Optical Defog	Yes
Enhancement	3D DNR, EIS, HLC/BLC, SVC
Pan Speed	Manual Speed: 0.1°/s to 160°/s Preset: 240°/s
Tilt Speed	Manual Speed: 0.1°/s to 120°/s Preset: 200°/s
Main Stream	50 Hz: 25 fps (2560 × 1440,1920 × 1080,1280 × 960,1280 × 720); 60 Hz: 30 fps (2560 × 1440,1920 × 1080,1280 × 960,1280 × 720)
Sub Stream	50 Hz:25 fps(704 × 576,640 × 480,352 × 288); 60 Hz:30 fps(704 × 480,640 × 480,352 × 240)
Third Stream	50 Hz: 25 fps (2560 × 1440,1920 × 1080,1280 × 960,1280 × 720); 60 Hz: 30 fps (2560 × 1440,1920 × 1080,1280 × 960,1280 × 720)
Video Compression	Main Stream: H.264 Sub-Stream: H.264/MJPEG Third Stream: H.264/MJPEG
Audio Compression	G .711alaw/G.711ulaw/G.722/G.726/MP2L2/PCM
IR Distance	Up to 500 m
Alarm Action	Preset, Patrol, Pattern, Micro SD/SDHC Card Recording, Aux Output, Notification on Client, FTP Uploading, Sending Email, Triggering Channel

Alarm Input	7-ch inputs (0-5 VDC)
Alarm Output	2-ch relay outputs, alarm response actions configurable
Audio Input	1, 3.5 mm Mic in/Line in interface. Line input: 2-2.4 V [p-p], output impedance: 1 K Ω \pm 10%
Audio Output	Linear level, impedance: 600 Ω
Network Storage	MicroSD/SDHC/SDXC card (up to 256 G) local storage, and NAS (NFS, SMB/CIFS), auto network replenishment (ANR)
Analog Video Output	1.0 V [p-p]/75 Ω , BNC for thermal channel
Communication Interface	1, RJ45 10M/100M self-adaptive Ethernet interface. 1, RS-485 interface
General	
Movement Range	Network Camera (Universal Joint Module): Pan: 90°, Tilt: -45° to 45° Speed Dome: Pan: 360°, Tilt: -20° to 90°, Auto Flip
Mount	Wall Mount
Menu language	32 languages English, Russian, Estonian, Bulgarian, Hungarian, Greek, German, Italian, Czech, Slovak, French, Polish, Dutch, Portuguese, Spanish, Romanian, Danish, Swedish, Norwegian, Finnish, Croatian, Slovenian, Serbian, Turkish, Korean, Traditional Chinese, Thai, Vietnamese, Japanese, Latvian, Lithuanian, Portuguese (Brazil)
Power	24 VAC, two-core terminal block
Power Consumption	24 VAC: 5 A, max. 80 W (with IR and heater on) IR Light consumption: Max. 24 W, and Heater consumption: Max. 15 W
Working Temperature/Humidity	-40 °C to 65 °C (-40 °F to 149 °F); Humidity: 90% or Less
Protection Level	IP66 Standard TVS 6000 V Lightning protection, surge protection, voltage transient protection
Dimension	Φ 266.6 mm \times 573.5 mm \times 699.8 mm (Φ 10.5" \times 22.6" \times 27.5")
Weight	10.89 kg (Approx. 24.0 lb)

DRI Range Table

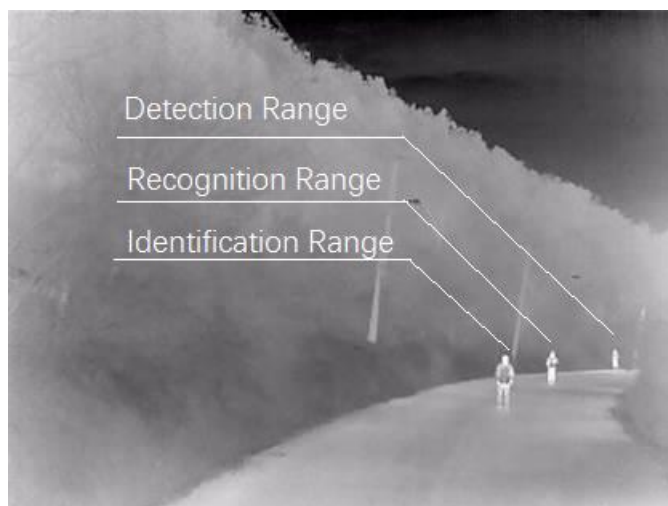
* The table is only for reference and the performance may vary according to different environment.

* The optimal human detection, recognition, and identification distances are calculated according to Johnson's Criteria.

Detection Range: In order to distinguish an object from the background, the object must be covered by 1.5 or more pixels.

Recognition Range: In order to classify the object (animal, human, vehicle, etc.), the object must be covered by 6 or more pixels.

Identification Range: In order to identify the object and describe it in details, the object must be covered by 12 or more pixels.



Detection Range (Vehicles: 1.4×4.0m)	Detection Range (Humans: 1.8×0.5m)	Recognition Range (Vehicles: 1.4×4.0m)	Recognition Range (Humans: 1.8×0.5m)	Identification Range (Vehicles: 1.4×4.0m)	Identification Range (Humans: 1.8×0.5m)
1353 m	441 m	338 m	110 m	169 m	55 m

Smart Function Table

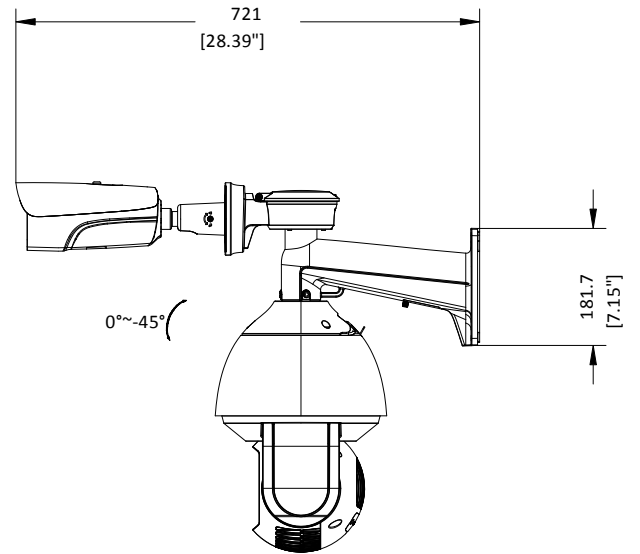
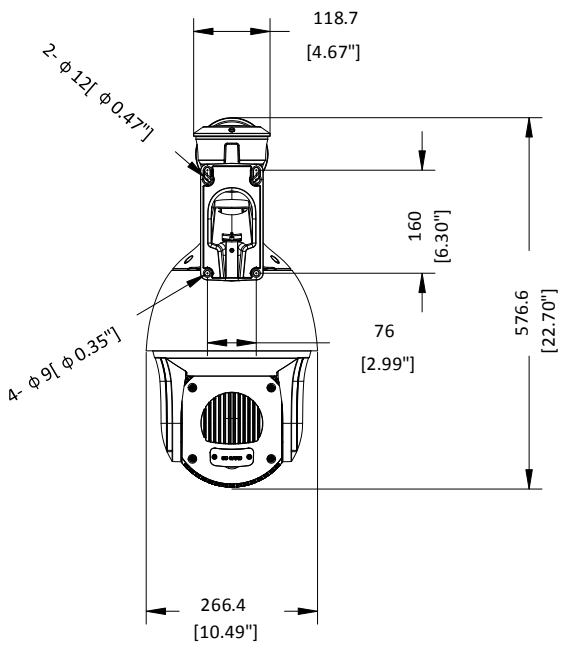
* The table is only for reference and the performance may vary according to different environment.

VCA Range (Vehicles: 1.4×4.0m)	VCA Range (Humans: 1.8×0.5m)	Temperature Measurement (Object:2×2 m)	Temperature measurement (Object:1×1 m)	Fire Detection (Object:2×2 m)	Fire Detection (Object:1×1 m)
309 m	110 m	351 m	177 m	882m	441m

Available Model

DS-2TX3742-15A/P

Dimension



Unit: mm

Distributed by

**HIKVISION®****Headquarters**

No.555 Qianmo Road, Binjiang District,
Hangzhou 310051, China
T +86-571-8807-5998
overseasbusiness@hikvision.com

Hikvision USA
T +1-909-895-0400
sales.usa@hikvision.com

Hikvision Australia
T +61-2-8599-4233
salesau@hikvision.com

Hikvision India
T +91-22-28469900
sales@pramahikvision.com

Hikvision Canada
T +1-866-200-6690
sales.canada@hikvision.com

Hikvision Thailand
T +662-275-9949
sales.thailand@hikvision.com

Hikvision Europe
T +31-23-5542770
sales.eu@hikvision.com

Hikvision Italy
T +39-0438-6902
info.it@hikvision.com

Hikvision Brazil
T +55 11 3318-0050
Latam.support@hikvision.com

Hikvision Turkey
T +90 (216)521 7070- 7074
sales.tr@hikvision.com

Hikvision Malaysia
T +601-7652-2413
sales.my@hikvision.com

Hikvision UK & Ireland
T +01628-902140
sales.uk@hikvision.com

Hikvision South Africa
Tel: +27 (10) 0351172
sale.africa@hikvision.com

Hikvision France
T +33(0)1-85-330-450
info.fr@hikvision.com

Hikvision Kazakhstan
T +7-727-9730667
nikia.panfilov@hikvision.ru

Hikvision Vietnam
T +84-974270888
sales.vt@hikvision.com

Hikvision UAE
T +971-4-4432090
salesme@hikvision.com

Hikvision Singapore
T +65-6684-4718
sg@hikvision.com

Hikvision Spain
T +34-91-737-16-55
info.es@hikvision.com

Hikvision Tashkent
T +99-87-1238-9438
uzb@hikvision.ru

Hikvision Hong Kong
T +852-2151-1761
info.hk@hikvision.com

Hikvision Russia
T +7-495-669-67-99
saleru@hikvision.com

Hikvision Korea
T +82-[0]31-731-8817
sales.korea@hikvision.com

Hikvision Poland
T +48-22-460-01-50
info.pl@hikvision.com

Hikvision Indonesia
T +62-21-2933759
Sales.Indonesia@hikvision.com

Hikvision Colombia
sales.colombia@hikvision.com