

## DS-2CD6944G0-IHS(/NFC) 180° Stitched 16 MP PanoVu Camera

**DarkFighter**



- 1/1.8" Progressive Scan CMOS
- Max. resolution 4800 × 2688 @ 30 fps in panorama display mode
- Multiple display modes available: panorama, original, panorama + ePTZ, and divided panorama
- Up to 20 m IR distance
- H.265+, H.264+
- BLC, 3D DNR, HLC, defog, EIS (only the original mode supports)
- Audio and alarm I/O
- IP67, IK10

### ▪ DORI

The DORI (detect, observe, recognize, identify) distance gives the general idea of the camera ability to distinguish persons or objects within its field of view. It is calculated based on the camera sensor specification and the criteria given by EN 62676-4: 2015.

DORI	Detect	Observe	Recognize	Identify
Distance(2.8 mm)	63.0 m	25.0 m	12.6 m	6.3 m
Distance(6 mm)	126.5 m	50.2 m	25.3 m	12.6 m



## Specifications

Camera	
Image Sensor	1/1.8" Progressive Scan CMOS
Min. Illumination	Color: 0.009 Lux @ (F1.6, AGC ON) B/W: 0.0018 Lux @ (F1.6, AGC ON), 0 Lux with IR
Shutter Speed	1/25 s to 1/100,000 s
Day & Night	IR cut filter. Blue glass module to reduce ghost phenomenon.
WDR	Digital WDR
Angle Adjustment	Pan: 0° to 355°, tilt: 0° to 90°
Lens	
Lens Type	Fixed lens, 2.8 mm/6 mm, four lenses
Aperture	F1.4
Focus	Manual
FOV	2.8 mm: horizontal FOV 180°, vertical FOV 90° 6 mm: horizontal FOV 180°, vertical FOV 25°
Lens Mount	M16
Illuminator	
IR Range	Four IR LEDs, up to 20 m
Wavelength	850 nm
Video	
Max. Resolution	2.8 mm Panorama+ePTZ mode: panorama channel: 1920 × 1080; ePTZ channel: 1920 × 1080 Panorama mode: 4800 × 2688 Original mode: 2688 × 1520 Divided panorama: 2400 × 1344 6 mm Panorama+ePTZ mode: panorama channel: 3072 × 540; ePTZ channel: 1920 × 1080 Panorama mode: 8160 × 1440 Original mode: 2688 × 1520 Divided panorama: 2032 × 1440
Main Stream	2.8 mm Panorama+ePTZ mode: panorama channel: 50Hz: 25fps (1920 × 1080, 960 × 540), 60Hz: 30fps (1920 × 1080, 960 × 540); ePTZ channel: 50Hz: 25fps (1920 × 1080, 1280 × 720), 60Hz: 30fps (1920 × 1080, 1280 × 720) Panorama mode: 50Hz: 25fps (4800 × 2688, 3840 × 2160, 2688 × 1520), 60Hz: 30fps (4800 × 2688, 3840 × 2160, 2688 × 1520) Original mode: 50Hz: 25fps (2688 × 1520), 60Hz: 30fps (2688 × 1520) 6 mm Panorama+ePTZ mode: panorama channel: 50Hz: 25fps (3072 × 540, 2688 × 480, 1920 × 320), 60Hz: 30fps (3072 × 540, 2688 × 480, 1920 × 320); ePTZ channel: 50Hz: 25fps (1920 × 1080, 1280 × 720), 60Hz: 30fps (1920 × 1080, 1280 × 720) Panorama mode: 50Hz: 25fps (8160 × 1440, 6720 × 1200, 4800 × 840), 60Hz: 30fps

	(8160 × 1440, 6720 × 1200, 4800 × 840) Original mode: 50Hz: 25fps (2688 × 1520), 60Hz: 30fps (2688 × 1520)
Sub-Stream	2.8 mm Panorama mode: 50Hz: 25fps (1920 × 1080, 960 × 540), 60Hz: 30fps (1920 × 1080, 960 × 540) 6 mm Panorama mode: 50Hz: 25fps (3072 × 540, 2688 × 480, 1920 × 320), 60Hz: 30fps (3072 × 540, 2688 × 480, 1920 × 320)
Video Compression	Main stream: H.265/H.264 Sub-stream: H.265/H.264/MJPEG
H.264 Type	Baseline Profile/Main Profile/High Profile
H.264+	Main stream supports
H.265 Type	Main Profile
H.265+	Main stream supports
Video Bit Rate	32 Kbps to 16 Mbps
Scalable Video Coding (SVC)	H.264 and H.265 encoding
<b>Audio</b>	
Audio Compression	G.711/G.722.1/G.726/MP2L2/PCM
Audio Bit Rate	64Kbps(G.711)/16Kbps(G.722.1)/16Kbps(G.726)/32-192Kbps(MP2L2)/32Kbps(PCM)
Environment Noise Filtering	Yes
Audio Sampling Rate	8 kHz/16 kHz/32 kHz/48 kHz
<b>Smart Feature-Set</b>	
Basic Event	Motion detection (only panorama mode supports), exception (network disconnected, IP address conflict, illegal login, HDD full, HDD error)
People Density	Yes (only panorama mode supports)
Linkage Method	Upload to FTP/NAS/memory card, notify surveillance center, send email, trigger alarm output, trigger recording, trigger capture
<b>Image</b>	
Image Enhancement	BLC, HLC, 3D DNR, Defog, EIS (only the original mode supports)
Image Settings	Rotate mode (only the original mode supports), saturation, brightness, contrast, sharpness, AGC, and white balance are adjustable by client software or web browser
Target Cropping	Yes (only panorama mode supports)
Day/Night Switch	Day/Night/Auto/Schedule/Triggered by Alarm In
Picture Overlay	LOGO picture can be overlaid on video with 128 × 128 24bit bmp format
<b>Network</b>	
Network Storage	Support Micro SD/SDHC/SDXC card (256G), local storage and NAS (NFS,SMB/CIFS), ANR
Protocols	TCP/IP, ICMP, HTTP, HTTPS, FTP, DHCP, DNS, DDNS, RTP, RTSP, RTCP, PPPoE, NTP, UPnP, SMTP, SNMP, IGMP, 802.1X, QoS, IPv6, UDP, Bonjour
API	ONVIF (PROFILE S, PROFILE G), ISAPI, SDK, Ehome

Security	Password protection, complicated password, HTTPS encryption, 802.1X authentication (EAP-TLS, EAP-LEAP, EAP-MD5), watermark, IP address filter, basic and digest authentication for HTTP/HTTPS, WSSE and digest authentication for ONVIF, RTP/RTSP over HTTPS, control timeout settings, security audit log, TLS 1.2, TLS1.0, TLS1.1
Simultaneous Live View	Up to 20 channels
User/Host	Up to 32 users. 3 user levels: administrator, operator and user
Client	iVMS-4200
Web Browser	IE8+
<b>Interface</b>	
Communication Interface	1 RJ45 10M/100M/1000M Ethernet port; 1 RS-485 interface (half duplex, HIKVISION, Pelco-P, Pelco-D, self-adaptive)
Audio	1 input (line in), 3.5 mm 3-section connector, max. input amplitude: 1 vpp, input impedance: 4.7 k $\Omega$ , interface type: non-equilibrium; 1 output (line out), 3.5 mm 3-section connector, max. output amplitude: 1 vpp, output impedance: 100 $\Omega$ , interface type: non-equilibrium
Alarm	2 inputs, 2 outputs (max. 24 VDC, 1A)
On-board Storage	Built-in microSD/SDHC/SDXC slot, up to 256 GB
<b>Fiber Optical (/NFC)</b>	
Interface Type	FC interface
Optical Type	Single mode, single fiber
Input/output Wavelength	Tx1310nm/1.25G, Rx1550nm/1.25G
Transmission Distance	Up to 20 km
<b>General</b>	
Firmware Version	V5.5.83
Web Client Language	English
General Function	Anti-flicker, heartbeat, mirror (only original mode supports), privacy masks (only original mode supports), password protection, watermark, IP address filter (only original mode supports), pixel counter
Reset	Reset via reset button on camera body, web browser and client software
Startup and Operating Conditions	-40 °C to +60 °C (-40 °F to +140 °F), humidity 95% or less (non-condensing)
Storage Conditions	-40 °C to 60 °C (-40 °F to 140 °F), humidity 95% or less (non-condensing)
Power Supply	12 VDC, three-core terminal block, PoE (802.3at)
Power Consumption and Current	12 VDC, 1.6 A, max. 24 W, PoE (802.3at, 42.5 V to 57 V), 0.5 to 0.4 A
Material	Aluminum alloy
Heater	Yes
Dimensions	Camera: 189.5 × 207.63 × 206.62 mm (7.46" × 8.17" × 8.13") Package: 340 × 261 × 293 mm (13.4" × 10.3" × 11.5")
Weight	Camera: approx. 3 kg (6.6 lb.) With package: approx. 5 kg (11 lb.)

### Approval

EMC	47 CFR Part 15, Subpart B; EN 55032: 2015, EN 61000-3-2: 2014, EN 61000-3-3: 2013, EN 50130-4: 2011 +A1: 2014; AS/NZS CISPR 32: 2015; ICES-003: Issue 6, 2016; KN 32: 2015, KN 35: 2015
Safety	UL 60950-1, IEC 60950-1:2005 + Am 1:2009 + Am 2:2013, EN 60950-1:2005 + Am 1:2009 + Am 2:2013, IS 13252(Part 1):2010+A1:2013+A2:2015
Environment	2011/65/EU, 2012/19/EU, Regulation (EC) No 1907/2006
Protection	Ingress protection: IK10 (IEC 62262:2002), IP67 (IEC 60529-2013)

### Available Model

DS-2CD6944G0-IHS (2.8 mm), DS-2CD6944G0-IHS/NFC (2.8 mm), DS-2CD6944G0-IHS (6 mm), DS-2CD6944G0-IHS/NFC (6 mm)

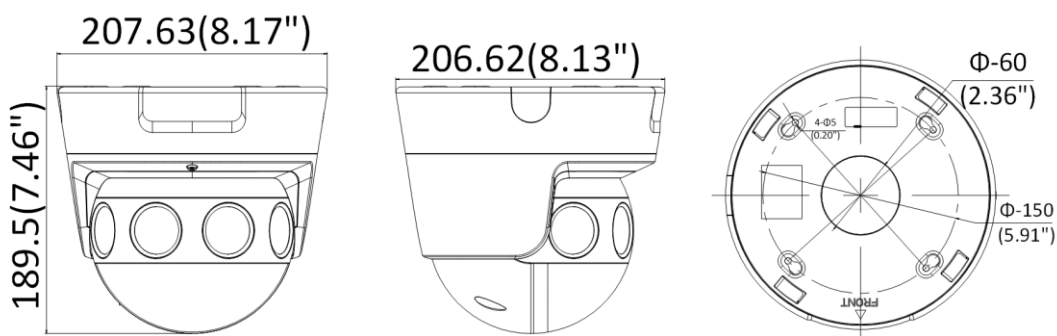
### ▪ Typical Application

Hikvision products are classified into three levels according to their anti-corrosion performance. Refer to the following description to choose for your using environment.

This model has NO SPECIFIC PROTECTION.

Level	Description
Top-level protection	Hikvision products at this level are equipped for use in areas where professional anti-corrosion protection is a must. Typical application scenarios include coastlines, docks, chemical plants, and more.
Moderate protection	Hikvision products at this level are equipped for use in areas with moderate anti-corrosion demands. Typical application scenarios include coastal areas about 2 kilometers (1.24 miles) away from coastlines, as well as areas affected by acid rain.
No specific protection	Hikvision products at this level are equipped for use in areas where no specific anti-corrosion protection is needed.

### Dimension



Unit: mm

**Accessory****DS-1602ZJ**  
**Wall Mount****DS-1661ZJ**  
**Pendant Mount****Cap (Included)**

Distributed by

**HIKVISION®****Headquarters**No.555 Qianmo Road, Binjiang District,  
Hangzhou 310051, China  
T +86-571-8807-5998  
overseasbusiness@hikvision.com**Hikvision USA**  
T +1-909-895-0400  
sales.usa@hikvision.com**Hikvision Australia**  
T +61-2-8599-4233  
salesau@hikvision.com**Hikvision India**  
T +91-22-28469900  
sales@pramahikvision.com**Hikvision Canada**  
T +1-866-200-6690  
sales.canada@hikvision.com**Hikvision Thailand**  
T +662-275-9949  
sales.thailand@hikvision.com**Hikvision Europe**  
T +31-23-5542770  
sales.eu@hikvision.com**Hikvision Italy**  
T +39-0438-6902  
info.it@hikvision.com**Hikvision Brazil**  
T +55 11 3318-0050  
Latam.support@hikvision.com**Hikvision Turkey**  
T +90 (216)521 7070- 7074  
sales.tr@hikvision.com**Hikvision Malaysia**  
T +601-7652-2413  
sales.my@hikvision.com**Hikvision UK & Ireland**  
T +01628-902140  
sales.uk@hikvision.com**Hikvision South Africa**  
Tel: +27 (10) 0351172  
sale.africa@hikvision.com**Hikvision France**  
T +33(0)1-85-330-450  
info.fr@hikvision.com**Hikvision Kazakhstan**  
T +7-727-9730667  
nikia.panfilov@hikvision.ru**Hikvision Vietnam**  
T +84-974270888  
sales.vt@hikvision.com**Hikvision UAE**  
T +971-4-4432090  
salesme@hikvision.com**Hikvision Singapore**  
T +65-6684-4718  
sg@hikvision.com**Hikvision Spain**  
T +34-91-737-16-55  
info.es@hikvision.com**Hikvision Tashkent**  
T +99-87-1238-9438  
uzb@hikvision.ru**Hikvision Hong Kong**  
T +852-2151-1761  
info.hk@hikvision.com**Hikvision Russia**  
T +7-495-669-67-99  
sateru@hikvision.com**Hikvision Korea**  
T +82-[0]31-731-8817  
sales.korea@hikvision.com**Hikvision Poland**  
T +48-22-460-01-50  
info.pl@hikvision.com**Hikvision Indonesia**  
T +62-21-2933759  
Sales.Indonesia@hikvision.com**Hikvision Colombia**  
sales.colombia@hikvision.com