

DS-2CD6365G0-IS(B) 6 MP IR Network Fisheye Camera

DeepinView^{series}



DS-2CD6365G0-IS(B) is a fisheye network camera capable of providing a 360-degree panoramic image of its surveillance scene. The progressive scan CMOS sensor provides high-resolution images of up to 3072 × 2048. Up to 18 live view display modes, designed for 3 mount types, meet various user preference. Three independently controlled IR lights offer a range of 15 m and provide good vision in low or even zero-light environment.

- 360° zero-blind zone image: a fisheye network camera capable of providing a 360 degree panoramic image of its surveillance scene
- Heatmap: based on deep learning algorithms, the camera counts people and presents an intuitive map
- Multi dewarping modes: the image can be dewarped to normal image for viewing intuitively
- Build-in mic and speaker: the camera supports two-way audio for real-time audio security monitoring and communication



▪ Specification

| Camera | |
|------------------------|---|
| Image Sensor | 1/1.8" Progressive Scan CMOS |
| Max. Resolution | 3072 × 2048 |
| Min. Illumination | Color: 0.047 Lux @ (F2.6, AGC ON), B/W: 0.0047 Lux @ (F2.6, AGC ON), 0 Lux with IR |
| Shutter Time | 1 s to 1/100,000 s |
| Day & Night | IR Cut Filter |
| Lens | |
| Focal Length & FOV | 1.27 mm, horizontal FOV 180° (wall mount), 360° (ceiling mount), 360° (table mount) |
| Lens Mount | M12 |
| Aperture | F2.6 |
| DORI | |
| DORI | D: 21.3 m, O: 8.5 m, R: 4.3 m, I: 2.1 m |
| Illuminator | |
| Supplement Light Type | 3 IR LEDs, each LED is independently controlled |
| Supplement Light Range | Up to 15 m |
| IR Wavelength | 850 nm |

| Video | |
|-------------------|--|
| Main Stream | <p>Fisheye View: 50 Hz: 25 fps (3072 × 2048, 2048 × 2048, 1280 × 1280) 60 Hz: 30 fps (3072 × 2048, 2048 × 2048, 1280 × 1280)</p> <p>180 Panorama View: 50 Hz: 25 fps (2048 × 1536, 1920 × 1080) 60 Hz: 30 fps (2048 × 1536, 1920 × 1080)</p> <p>Panorama View: 50 Hz: 25 fps (2048 × 1536, 1920 × 1080) 60 Hz: 30 fps (2048 × 1536, 1920 × 1080)</p> <p>4PTZ: 50 Hz: camera 01: 25 fps (1024 × 768, 640 × 480, 640 × 360, 320 × 240) camera 02: 25 fps (1024 × 768, 640 × 480, 640 × 360, 320 × 240) camera 03: 25 fps (1024 × 768, 640 × 480, 640 × 360, 320 × 240) camera 04: 25 fps (1024 × 768, 640 × 480, 640 × 360, 320 × 240) 60 Hz: camera 01: 30 fps (1024 × 768, 640 × 480, 640 × 360, 320 × 240) camera 02: 30 fps (1024 × 768, 640 × 480, 640 × 360, 320 × 240) camera 03: 30 fps (1024 × 768, 640 × 480, 640 × 360, 320 × 240) camera 04: 30 fps (1024 × 768, 640 × 480, 640 × 360, 320 × 240)</p> <p>Fisheye + 3PTZ: 50 Hz: camera 01: 25 fps (2048 × 2048, 1024 × 1024) camera 02: 25 fps (1024 × 768) camera 03: 25 fps (1024 × 768) camera 04: 25 fps (1024 × 768) 60 Hz: camera 01: 30 fps (2048 × 2048, 1024 × 1024) camera 02: 30 fps (1024 × 768) camera 03: 30 fps (1024 × 768) camera 04: 30 fps (1024 × 768)</p> <p>4PTZ Fusion: 50 Hz: 25 fps (2048 × 1536, 1600 × 1200, 1280 × 960, 1024 × 768) 60 Hz: 30 fps (2048 × 1536, 1600 × 1200, 1280 × 960, 1024 × 768)</p> |
| Sub-Stream | <p>Fisheye View: 50 Hz: 25 fps (720 × 720, 720 × 480) 60 Hz: 30 fps (720 × 720, 720 × 480)</p> <p>180 Panorama View: 50 Hz: 25 fps (640 × 480, 640 × 360, 320 × 240) 60 Hz: 30 fps (640 × 480, 640 × 360, 320 × 240)</p> <p>Panorama View: 50 Hz: 25 fps (640 × 480, 640 × 360, 320 × 240) 60 Hz: 30 fps (640 × 480, 640 × 360, 320 × 240)</p> <p>Fisheye + 3PTZ: 50 Hz: camera 01: 25 fps (720 × 720) 60 Hz: camera 01: 30 fps (720 × 720)</p> |
| Video Compression | <p>Main stream: H.265+/H.265/H.264+/H.264 Sub stream: H.265/H.264/MJPEG</p> |
| Video Bit Rate | 32 Kbps to 16 Mbps |

| | |
|-----------------------------|---|
| H.264 Type | Baseline Profile/Main Profile/High Profile |
| H.265 Type | Main Profile |
| Scalable Video Coding (SVC) | H.265 and H.264 encoding |
| Region of Interest (ROI) | 4 fixed regions for main stream and sub-stream |
| Fisheye Display | |
| Mount Type | Support table, wall, and ceiling mounting |
| Decoding Mode | Support hardware decoding and software decoding |
| Display Mode | <p>18 display modes in total</p> <p>Software decoding:</p> <p>Ceiling mount: fisheye view, 180 panorama view, 360 panorama view, 360 panorama + PTZ, 360 panorama + 3PTZ, 360 panorama + 6PTZ, 360 panorama + 8PTZ, 2PTZ, 4PTZ, fisheye + 3PTZ, fisheye + 8PTZ, half sphere, cylinder</p> <p>Wall mount: fisheye view, panorama view, panorama + 3PTZ, panorama + 8PTZ, 4PTZ, fisheye + 3PTZ, fisheye + 8PTZ</p> <p>Table mount: fisheye view, 180 panorama view, 360 panorama view, 360 panorama + PTZ, 360 panorama + 3PTZ, 360 panorama + 6PTZ, 360 panorama + 8PTZ, 4PTZ, fisheye + 3PTZ, fisheye + 8PTZ, cylinder</p> <p>Hardware decoding:</p> <p>Ceiling mount: fisheye view, 180 panorama view, panorama view, 4PTZ, fisheye + 3PTZ, 4PTZ fusion</p> <p>Wall mount: fisheye view, 180 panorama view, panorama view, 4PTZ, fisheye + 3PTZ, 4PTZ fusion</p> <p>Table mount: fisheye view, 180 panorama view, panorama view, 4PTZ, fisheye + 3PTZ, 4PTZ fusion</p> |
| Audio | |
| Audio Type | Mono sound |
| Audio Compression | G.711/G.722.1/G.726/MP2L2/PCM |
| Audio Bit Rate | 64 Kbps (G.711)/16 Kbps (G.722.1)/16 Kbps (G.726)/32 to 160 Kbps (MP2L2) |
| Audio Sampling Rate | 8 kHz/16 kHz |
| Environment Noise Filtering | Yes |
| Network | |
| Protocols | TCP/IP, ICMP, HTTP, HTTPS, FTP, DHCP, DNS, DDNS, RTP, RTSP, RTCP, PPPoE, NTP, UPnP, SMTP, SNMP, IGMP, 802.1X, QoS, IPv6, UDP, Bonjour |
| Simultaneous Live View | Up to 20 channels |
| API | Open Network Video Interface (PROFILE S, PROFILE G), ISAPI |
| User/Host | Up to 32 users. 3 user levels, administrator, operator and user |
| Security | Password protection, HTTPS encryption, IEEE 802.1X port-based network access control, IP address filter, basic and digest authentication for HTTP/HTTPS, WSSE and digest authentication for Open Network Video Interface |
| Network Storage | NAS (NFS, SMB/CIFS), auto network replenishment (ANR) |
| Client | iVMS-4200, iVMS-4500, Hik-Connect, iVMS-5200 |
| Web Browser | IE 10 to 11, Chrome 57+, Firefox 52+, Safari 12+ |
| Image | |
| Image Settings | Saturation, brightness, contrast, sharpness, AGC and white balance are adjustable by client software or web browser |
| Day/Night Switch | Day/Night/Auto/Schedule/Triggered by Alarm In |

| | |
|----------------------------------|--|
| Wide Dynamic Range (WDR) | Digital WDR |
| Image Enhancement | BLC, HLC, defog, 3D DNR |
| Picture Overlay | LOGO picture can be overlaid on video with 128 × 128 24bit bmp format |
| Interface | |
| Ethernet Interface | 1 RJ45 10 M/100 M/1000 M self-adaptive Ethernet port |
| On-Board Storage | Built-in memory card slot, support microSD/microSDHC/microSDXC/TF card, up to 256 GB |
| Built-in Microphone | Yes, two built-in microphone(s) |
| Built-in Speaker | Yes |
| Audio | 1 input (line in), 3.5 mm connector, 1 output (line out), 3.5 mm connector |
| Alarm | 1 input, max. 12 V; 1 output, max 24 VDC, 1 A |
| RS-485 | 1 RS-485 (Half duplex, HIKVISION, Pelco-P, Pelco-D, self-adaptive) |
| Reset Key | Yes |
| Event | |
| Basic Event | Motion detection, video tampering alarm, network disconnected, IP address conflicted, illegal login, HDD full, HDD error |
| Smart Event | Line crossing detection, intrusion detection, region entrance detection, region exiting detection, unattended baggage detection, object removal detection, audio exception detection |
| Deep Learning Function | |
| People Counting | Counts people entering, exiting and passing by separately Supports real-time uploading and uploading by statistic cycle Sends email reports on daily, weekly, monthly or annually basis Supports target filtering by height |
| Heat Map | A graphic description of visits (calculated by people number or by dwell time) in a configured area. Two heap map report types are available, space heat map and time heat map line chart |
| Intersection Analysis | Detects and analyze flow in an intersection-like scene, and generate reports Support one intersection of up to 10 ways |
| General | |
| Power | 12 VDC ± 25%, 0.9 A, max. 11 W, two-core terminal block PoE: 802.3af, class 0, 36 to 57 V, 0.34 A to 0.22 A, max. 12.95 W |
| Material | Main body: Metal Cover: Plastic |
| Dimension | 167.4 mm × 152.8 mm × 50 mm (6. 6" × 6" × 2") |
| Weight | Approx. 720 g (1.6 lb.) |
| With Package Weight | Approx. 1.3 kg (2.9 lb.) |
| Startup and Operating Conditions | -40 °C to +60 °C (-40 °F to +140 °F). Humidity 95% or less (non-condensing) |
| General Function | One-key reset, anti-flicker, heartbeat, password protection, privacy mask, watermark, IP address filter |
| Heater | Yes |

| Approval | |
|-------------|--|
| EMC | FCC: 47 CFR Part 15, Subpart B, CE-EMC: EN 55032: 2015, EN 61000-3-2:2019, EN 61000-3-3: 2013+A1:2019, EN 50130-4: 2011 +A1: 2014, RCM: AS/NZS CISPR 32: 2015, IC: ICES-003: Issue 7, KC: KN32: 2015, KN35: 2015 |
| Safety | UL: UL 62368-1, CB: IEC 62368-1: 2014+A11, CE-LVD: EN 62368-1: 2014/A11: 2017, BIS: IS 13252 (Part 1): 2010/IEC 60950-1: 2005, LOA: IEC/EN 60950-1 |
| Environment | CE-RoHS: 2011/65/EU, WEEE: 2012/19/EU, Reach: Regulation (EC) No 1907/2006 |

▪ Available Model

DS-2CD6365G0-IS(B) (1.27 mm)

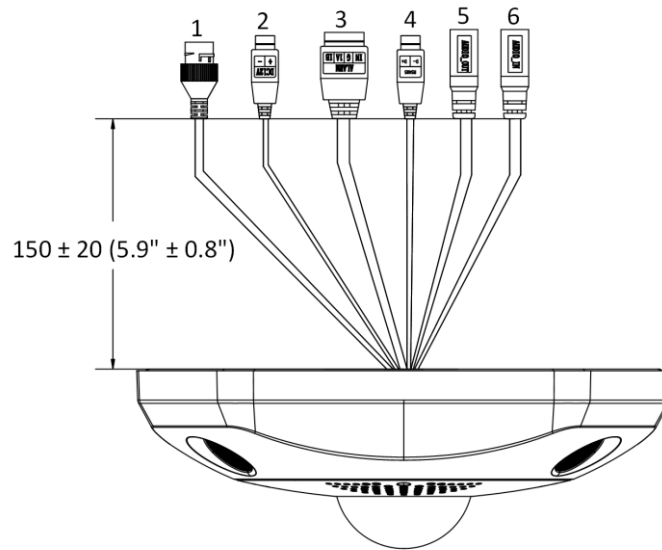
▪ Typical Application

Hikvision products are classified into three levels according to their anti-corrosion performance. Refer to the following description to choose for your using environment.

This model has NO SPECIFIC PROTECTION.

| Level | Description |
|------------------------|--|
| Top-level protection | Hikvision products at this level are equipped for use in areas where professional anti-corrosion protection is a must. Typical application scenarios include coastlines, docks, chemical plants, and more. |
| Moderate protection | Hikvision products at this level are equipped for use in areas with moderate anti-corrosion demands. Typical application scenarios include coastal areas about 2 kilometers (1.24 miles) away from coastlines, as well as areas affected by acid rain. |
| No specific protection | Hikvision products at this level are equipped for use in areas where no specific anti-corrosion protection is needed. |

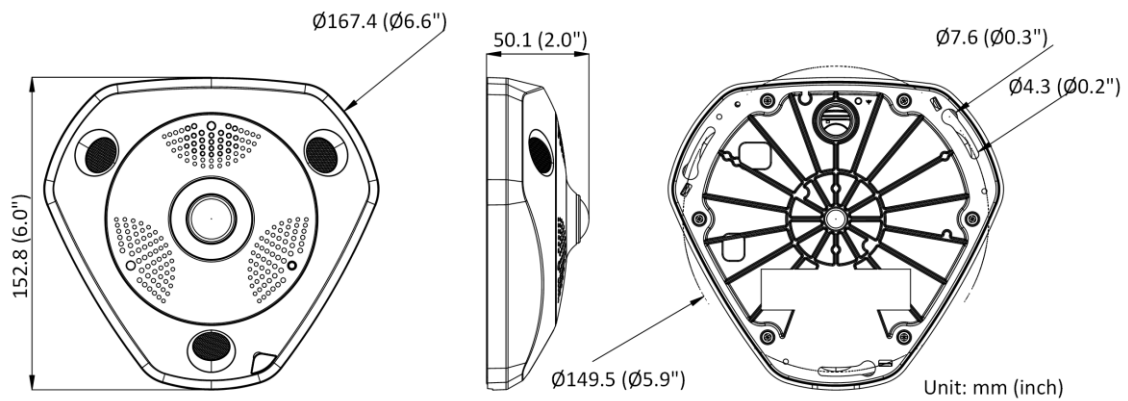
▪ **Physical Interface**





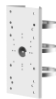





Unit : mm (inch)

| No. | Interface Description |
|-----|------------------------|
| 1 | Network Interface |
| 2 | Power Interface |
| 3 | Alarm Interface |
| 4 | RS-485 |
| 5 | Audio Output Interface |
| 6 | Audio Input Interface |

▪ **Dimension**



- Accessory
- Optional

| DS-1276ZJ-SUS Corner Mount | DS-1273ZJ-DM25 Wall Mount | DS-1275ZJ-SUS Vertical Pole Mount | DS-1283ZJ Wall Mount | DS-1280ZJ-DM25 Junction Box |
|---|---|---|---|---|
|  |  |  |  |  |
| DS-1281ZJ-DM25-B Inclined Ceiling Mount | DS-1281ZJ-DM25 Inclined Ceiling Mount | DS-1271ZJ-DM25 Pendant Mount | | |
|  |  |  | | |

**It is recommended to use DS-1276ZJ-SUS and DS-1275ZJ-SUS with DS-1273ZJ-DM25 or DS-1283ZJ.*

Distributed by

**HIKVISION®****Headquarters**

No.555 Qianmo Road, Binjiang District,
Hangzhou 310051, China
T +86-571-8807-5998
overseasbusiness@hikvision.com

Hikvision USA
T +1-909-895-0400
sales.usa@hikvision.com

Hikvision Australia
T +61-2-8599-4233
salesau@hikvision.com

Hikvision India
T +91-22-28469900
sales@pramahikvision.com

Hikvision Canada
T +1-866-200-6690
sales.canada@hikvision.com

Hikvision Thailand
T +662-275-9949
sales.thailand@hikvision.com

Hikvision Europe
T +31-23-5542770
sales.eu@hikvision.com

Hikvision Italy
T +39-0438-6902
info.it@hikvision.com

Hikvision Brazil
T +55 11 3318-0050
Latam.support@hikvision.com

Hikvision Turkey
T +90 (216)521 7070- 7074
sales.tr@hikvision.com

Hikvision Malaysia
T +601-7652-2413
sales.my@hikvision.com

Hikvision UK & Ireland
T +01628-902140
sales.uk@hikvision.com

Hikvision South Africa
Tel: +27 (10) 0351172
sale.africa@hikvision.com

Hikvision France
T +33(0)1-85-330-450
info.fr@hikvision.com

Hikvision Kazakhstan
T +7-727-9730667
nikia.panfilov@hikvision.ru

Hikvision Vietnam
T +84-974270888
sales.vt@hikvision.com

Hikvision UAE
T +971-4-4432090
salesme@hikvision.com

Hikvision Singapore
T +65-6684-4718
sg@hikvision.com

Hikvision Spain
T +34-91-737-16-55
info.es@hikvision.com

Hikvision Tashkent
T +99-87-1238-9438
uzb@hikvision.ru

Hikvision Hong Kong
T +852-2151-1761
info.hk@hikvision.com

Hikvision Russia
T +7-495-669-67-99
saleru@hikvision.com

Hikvision Korea
T +82-(0)31-731-8817
sales.korea@hikvision.com

Hikvision Poland
T +48-22-460-01-50
info.pl@hikvision.com

Hikvision Indonesia
T +62-21-2933759
Sales.Indonesia@hikvision.com

Hikvision Colombia
sales.colombia@hikvision.com