

## DS-2CD2646G2HT-IZS2U/S(L)(RB)

4MP AcuSense Strobe Light and Audible Warning Motorized VarifocBullet Network Camera

## AcuSense



- High quality imaging with 4 MP resolution
- Clear imaging against strong back light due to 120 dB WDR technology
- Efficient H.265+ compression technology
- Motorized varifocal lens for easy installation and monitoring
- Focus on human and vehicle classification based on deep learning
- Active strobe light and audio alarm to warn intruders off
- Provide real-time security via built-in two-way audio
- Water and dust resistant (IP67) and vandal resistant (IK10)

## ▪ Specification

| Camera                      |  |
|-----------------------------|--|
| Image Sensor                | 1/3" Progressive Scan CMOS   |
| Max. Resolution             | 2688 × 1520  |
| Min. Illumination           | Color: 0.001 Lux @ (F1.0, AGC ON), B/W: 0 Lux with IR  |
| Shutter Time                | 1/3 s to 1/100,000 s   |
| Day & Night                 | IR cut filter  |
| Angle Adjustment            | Pan: 0° to 355°, tilt: 0° to 90°, rotate: 0° to 360°   |
| Lens                        |  |
| Lens Type                   | Varifocal lens, motorized lens, 2.8 to 12 mm   |
| Focal Length & FOV          | 2.8 to 12mm, horizontal FOV 105.4° to 34.3°, vertical FOV 56.1° to 19.3°, diagonal FOV 125.8° to 39.4°   |
| Lens Mount                  | Ø14  |
| Iris Type                   | Fixed  |
| Aperture                    | F1.28  |
| Depth of Field              | 2.8 to 12mm:1m-∞   |
| DORI                        |  |
| DORI                        | Wide: D: 63.4m, O: 25.2 m, R: 12.7m, I: 6.3 m<br>Tele: D: 180.6 m, O: 71.7 m, R: 36.1 m, I: 18.1 m   |
| Illuminator                 |  |
| Supplement Light Type       | IR   |
| Supplement Light Range      | Up to 60 m   |
| Smart Supplement Light      | Yes  |
| IR Wavelength               | 850 nm   |
| Video                       |  |
| Main Stream                 | 50 Hz: 25 fps (2688 × 1520, 1920 × 1080, 1280 × 720)<br>60 Hz: 30 fps (2688 × 1520, 1920 × 1080, 1280 × 720)   |
| Sub-Stream                  | 50 Hz: 25 fps (1280 × 720, 640 × 480, 640 × 360)<br>60 Hz: 30 fps (1280 × 720, 640 × 480, 640 × 360)   |
| Third Stream                | 50 Hz: 10 fps (1920 × 1080, 1280 × 720, 640 × 480, 640 × 360)<br>60 Hz: 10 fps (1920 × 1080, 1280 × 720, 640 × 480, 640 × 360)<br>*Third stream is supported under certain settings. |
| Video Compression           | Main stream: H.265/H.264/H.264+/H.265+,<br>Sub-stream: H.265/H.264/MJPEG,<br>Third stream: H.265/H.264,<br>*Third stream is supported under certain settings.                        |
| Video Bit Rate              | 32 Kbps to 8 Mbps  |
| H.264 Type                  | Baseline Profile, Main Profile, High Profile   |
| H.265 Type                  | Main Profile   |
| Bit Rate Control            | CBR, VBR   |
| Scalable Video Coding (SVC) | H.264 and H.265 encoding   |
| Region of Interest (ROI)    | 1 fixed region for main stream and sub-stream  |
| Audio                       |  |
| Audio Compression           | G.711ulaw/G.711alaw/G.722.1/G.726/MP2L2/PCM/MP3/AAC-LC   |
| Audio Bit Rate              | 64 Kbps (G.711ulaw/G.711alaw)/16 Kbps (G.722.1)/16 Kbps (G.726)/16 Kbps to 64 Kbps (AAC-LC)/32 to 192 Kbps (MP2L2)/8 to 320 Kbps (MP3)   |

|                             |   |
|-----------------------------|---|
| Audio Sampling Rate         | 8 kHz/16 kHz/32 kHz/48 kHz  |
| Environment Noise Filtering | Yes   |
| <b>Network</b>              |   |
| Protocols                   | TCP/IP, ICMP, HTTP, HTTPS, FTP, DHCP, DNS, DDNS, RTP, RTSP, RTCP, NTP, UPnP, SMTP, IGMP, 802.1X, QoS, IPv4, IPv6, UDP, Bonjour, SSL/TLS, PPPoE, SNMP, WebSocket, WebSockets, SRTP, SFTP   |
| Simultaneous Live View      | Up to 6 channels  |
| API                         | ONVIF (Profile S, Profile T, Profile G), ISAPI, SDK, ISUP   |
| User/Host                   | Up to 32 users<br>3 user levels: administrator, operator, and user  |
| Security                    | Password protection, complicated password, HTTPS encryption, 802.1X authentication (EAP-TLS, EAP-LEAP, EAP-MD5), watermark, IP address filter, basic and digest authentication for HTTP/HTTPS, WSSE and digest authentication for Open Network Video Interface, RTP/RTSP over HTTPS, control timeout settings, security audit log, TLS 1.1/1.2/1.3, host authentication (MAC address) |
| Network Storage             | NAS (NFS, SMB/CIFS), Auto Network Replenishment (ANR)   |
| Client                      | iVMS-4200, Hik-Connect, Hik-Central   |
| Web Browser                 | Plug-in required live view: IE 10, IE 11,<br>Plug-in free live view: Chrome 57.0+, Firefox 52.0+, Edge 89+,<br>Local service: Chrome 57.0+, Firefox 52.0+, Edge 89+   |
| <b>Image</b>                |   |
| Image Parameters Switch     | Yes   |
| Image Settings              | Rotate mode, saturation, brightness, contrast, sharpness, gain, white balance, adjustable by client software or web browser   |
| Day/Night Switch            | Day, Night, Auto, Schedule  |
| Image Enhancement           | BLC, HLC, 3D DNR  |
| SNR                         | ≥ 52 dB   |
| Wide Dynamic Range (WDR)    | 120 dB  |
| Privacy Mask                | 4 programmable polygon privacy masks  |
| <b>Interface</b>            |   |
| Ethernet Interface          | 1 RJ45 10 M/100 M self-adaptive Ethernet port   |
| On-Board Storage            | Built-in memory card slot, support microSD/microSDHC/microSDXC card, up to 512 GB   |
| Built-in Microphone         | Yes, 2 built-in microphones   |
| Built-in Speaker            | Max. power consumption: 2 W, max. sound pressure level: 10 cm: 120 dB.  |
| Audio                       | 1 input (line in), two-core terminal block, max. input amplitude: 3.3 Vpp, input impedance: 4.7 KΩ, interface type: non-equilibrium,<br>1 output (line out), two-core terminal block, max. output amplitude: 3.3 Vpp, output impedance: 100 Ω, interface type: non-equilibrium  |
| Alarm                       | 1 input, 1 output (max. 24 VDC/24 VAC, 1 A)   |
| Reset Key                   | Yes   |
| <b>Event</b>                |   |
| Basic Event                 | Motion detection (support alarm triggering by specified target types (human and vehicle)), video tampering alarm, exception   |
| Smart Event                 | Scene change detection  |
| Linkage                     | Upload to FTP/NAS/memory card, notify surveillance center, send email, trigger alarm output, trigger recording, trigger capture, audible warning  |

| Deep Learning Function           |   |
|----------------------------------|---|
| Face Capture                     | Yes   |
| Perimeter Protection             | Line crossing, intrusion, region entrance, region exiting<br>Support alarm triggering by specified target types (human and vehicle)   |
| General                          |   |
| Power                            | 12 VDC $\pm$ 25%, 1.21 A, max. 14.5 W, $\varnothing$ 5.5 mm coaxial power plug, reverse polarity protection,<br>PoE: IEEE 802.3at, Class 4, max. 18 W   |
| Material                         | Front cover: metal, body: metal, bracket: metal   |
| Dimension                        | 298 mm $\times$ 97.9 mm $\times$ 95.7 mm (11.8" $\times$ 3.9" $\times$ 3.8")  |
| Package Dimension                | 385 mm $\times$ 190 mm $\times$ 180 mm (15.2" $\times$ 7.5" $\times$ 7.1")  |
| Weight                           | Approx. 1520 g (3.35 lb.)   |
| With Package Weight              | Approx. 2520 g (5.56 lb.)   |
| Storage Conditions               | -30 °C to 60 °C (-22 °F to 140 °F). Humidity 95% or less (non-condensing)   |
| Startup and Operating Conditions | -30 °C to 60 °C (-22 °F to 140 °F). Humidity 95% or less (non-condensing)   |
| General Function                 | Heartbeat, mirror, password reset via email, pixel counter, anti-banding  |
| Language                         | 33 languages: English, Russian, Estonian, Bulgarian, Hungarian, Greek, German, Italian, Czech, Slovak, French, Polish, Dutch, Portuguese, Spanish, Romanian, Danish, Swedish, Norwegian, Finnish, Croatian, Slovenian, Serbian, Turkish, Korean, Traditional Chinese, Thai, Vietnamese, Japanese, Latvian, Lithuanian, Portuguese (Brazil), Ukrainian |
| Flashing Light                   | /SRB models: Red and Blue Light<br>/SL models: White Light  |
| Approval                         |   |
| EMC                              | CE-EMC: EN 55032: 2015, EN 61000-3-2:2019, EN 61000-3-3: 2013+A1:2019, EN 50130-4: 2011 +A1: 2014,<br>IC: ICES-003: Issue 7,<br>RCM: AS/NZS CISPR 32: 2015,<br>KC: KN32: 2015, KN35: 2015   |
| Safety                           | CB: IEC 62368-1: 2014+A11,<br>CE-LVD: EN 62368-1: 2014/A11: 2017  |
| Environment                      | CE-RoHS: 2011/65/EU,<br>WEEE: 2012/19/EU,<br>Reach: Regulation (EC) No 1907/2006  |
| Protection                       | IP67: IEC 60529-2013, IK10: IEC 62262:2002  |

## ▪ Typical Application

Hikvision products are classified into three levels according to their anti-corrosion performance. Refer to the following description to choose for your using environment.

This model has NO SPECIFIC PROTECTION.

| Level                | Description  |
|----------------------|--|
| Top-level protection | Hikvision products at this level are equipped for use in areas where professional anti-corrosion protection is a must. Typical application scenarios include coastlines, docks, chemical plants, and more. |
| Moderate protection  | Hikvision products at this level are equipped for use in areas with moderate   |

|                        |   |
|------------------------|---|
|                        | anti-corrosion demands. Typical application scenarios include coastal areas about 2 kilometers (1.24 miles) away from coastlines, as well as areas affected by acid rain. |
| No specific protection | Hikvision products at this level are equipped for use in areas where no specific anti-corrosion protection is needed.   |

▪ **Available Model**

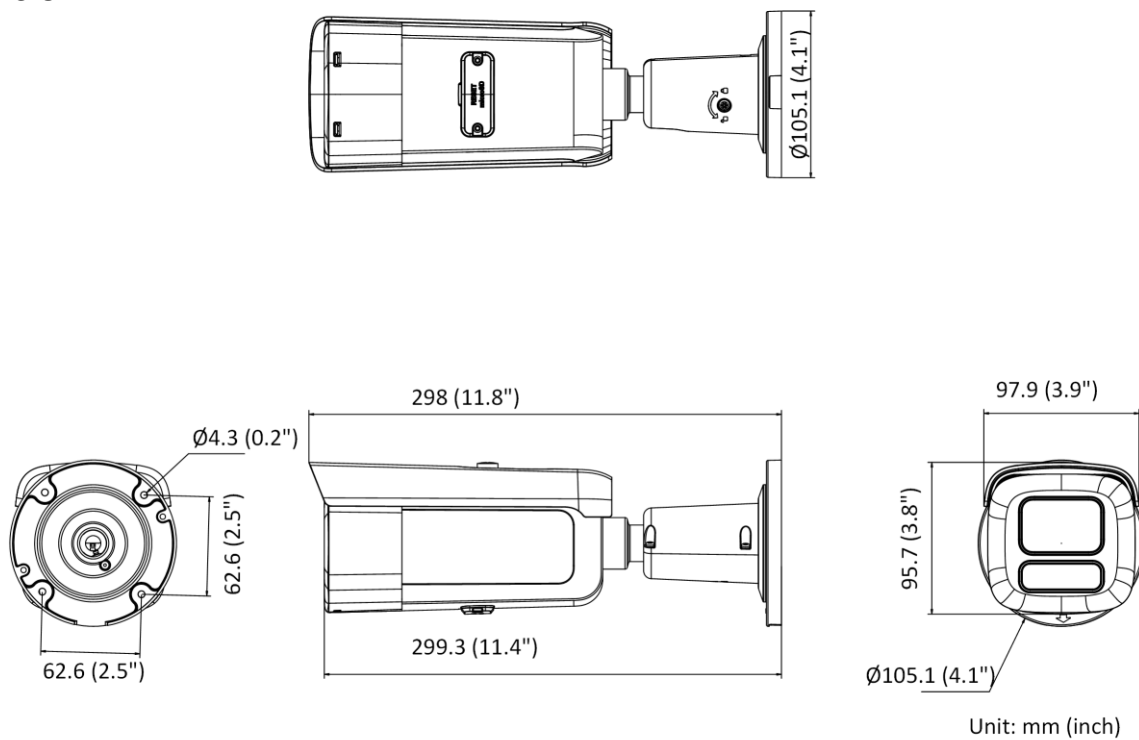
DS-2CD2646G2HT-IZS2U/SRB(2.8-12mm)/Black

DS-2CD2646G2HT-IZS2U/SL(2.8-12mm)

DS-2CD2646G2HT-IZS2U/SRB(2.8-12mm)/Black

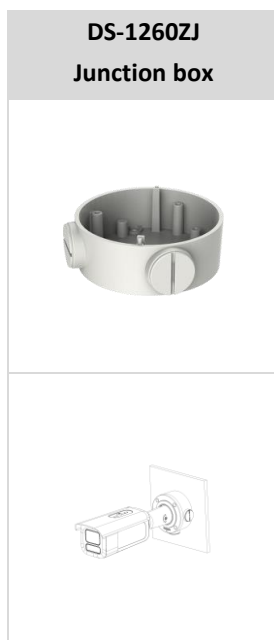
DS-2CD2646G2HT-IZS2U/SL(2.8-12)/Black

▪ **Dimension**



▪ **Accessory**

▪ **Included**



▪ **Optional**

| DS-1275ZJ-SUS<br>Vertical pole mount  | DS-1276ZJ-SUS<br>Corner mount   | DS-1280ZJ-S<br>Junction box  | DS-1275ZJ-S-SUS<br>Vertical pole mount  |
|---|---|--|---|
|  |  |   |  |
|  |  |  |  |

**Headquarters**

No.555 Qianmo Road, Binjiang District,  
Hangzhou 310051, China  
T +86-571-8807-5998  
www.hikvision.com



Follow us on social media to get the latest product and solution information.

