

TNU-4041T/4051T

VGA Thermal Positioning Camera

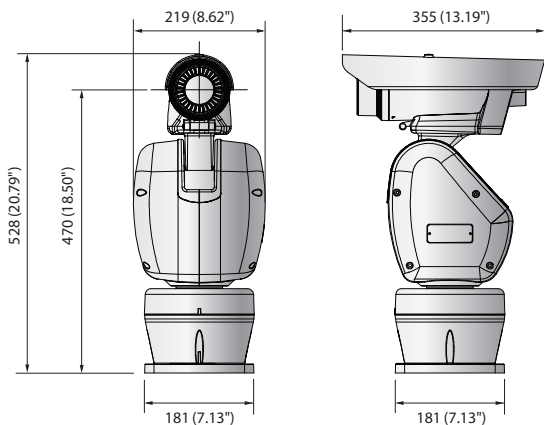


Key Features

- 640 x 480 resolution
- Built-in 19mm (TNU-4041T), 35mm (TNU-4051T) fixed lens
- H.265, H.264, MJPEG codec, WiseStream II support
- 30fps@all resolutions (H.265, H.264)
- Tampering, Loitering, Directional/Virtual Line Detection, Enter/Exit, Appear/Disappear, Audio Detection, Motion Detection, Handover, Sound Classification, Shock detection, Temperature change detection
- Micro SD/SDHC/SDXC memory slot (Maximum 256GB)
- 24V AC, NEMA 4X
- IK10 (TNU-4041T)

Dimensions

Unit : mm (inch)



| | TNU-4041T | TNU-4051T |
|-----------------------------------|---|-------------------------------|
| VIDEO | | |
| Imaging Device | Uncooled Micro bolometer | |
| Pixel Size | 17μm | |
| Effective Pixels | 640x480 | |
| NETD | 50mK | |
| Video Out | CVBS : 1.0 Vp-p / 75Ω composite, 720x480, for installation | |
| LENS | | |
| Focal Length (Zoom Ratio) | 19mm fixed | 35mm fixed |
| Maximum Aperture Ratio | F1.0 | |
| Angular Field of View | H : 32° / V : 24.3° / D : 39.2° | H : 17.2° / V : 13° / D : 22° |
| Minimum Object Distance | 11m | 36m |
| Focus Control | Fixed | |
| Mount Type | Board-in type | |
| PAN / TILT / ROTATE | | |
| Pan Range | 360° Endless | |
| Pan Speed | 0.025°~ 120°/sec | |
| Tilt Range | -90° ~ 40° | |
| Tilt Speed | 0.025°~ 40°/sec | |
| Sequence | Preset (300ea), Group (6ea) | |
| Preset Accuracy | 0.3° | |
| Azimuth | Yes (E / W / S / N / NE / NW / SE / SW) | |
| OPERATIONAL | | |
| Camera Title | Off / On - English / Numeric / Special characters / International characters - Multi-line (Maximum 5), Color (Gray / Green / Red / Blue / Black / White), Transparency, Auto scale by resolution | |
| Digital Image Stabilization | Off / On (with gyro sensor) | |
| Motion Detection | Off / On (8ea, 8point polygonal zones), Handover Tampering, Loitering, Directional/Virtual Line Detection, Enter / Exit, Appear / Disappear, Audio Detection, Motion Detection, Sound Classification, Shock detection, Temperature change detection | |
| Video & Audio Analytics | Input 1ea / Output 1ea | |
| Alarm I/O | Alarm input, Motion detection, Video & audio analytics, Network disconnect | |
| Alarm Triggers | File upload via FTP and E-Mail, Notification via E-Mail, Handover | |
| Alarm Events | Local storage (Micro SD/SDHC/SDXC) or NAS recording at event triggers, Alarm output Selectable (Mic in / Line in), Supply voltage : 2.5VDC (4mA), Input impedance : approx. 2K Ohm | |
| Audio In | Line out, Maximum output level : 1 Vrms | |
| Audio Out | Support | |
| Pixel Count | | |
| NETWORK | | |
| Ethernet | RJ-45 (10/100BASE-T) | |
| Video Compression Format | H.265 / H.264 (MPEG-4 Part 10/AVC) : Main / Baseline / High , Motion JPEG | |
| Resolution | 640x480, 640x360, 320x240 | |
| Maximum Framerate | H.265/H.264 : Maximum 30fps at all resolutions / Motion JPEG : Maximum 30fps | |
| Smart Codec | Manual Mode (area-based : 5EA) | |
| WiseStream II | Support | |
| Video Quality Adjustment | H.264 / H.265 : Target bitrate level control / MJPEG : Target bitrate level control | |
| Bitrate Control Method | H.264 / H.265 : CBR or VBR / MJPEG : VBR | |
| Streaming Capability | Multiple streaming (Up to 10 profiles) G.711 u-law / G.726 Selectable G.726 (ADPCM) 8KHz, G.711 8KHz G.726 : 16Kbps, 24Kbps, 32Kbps, 40Kbps AAC-LC : 48Kbps at 8/16/32/48KHz | |
| Audio Compression Format | | |
| Audio Communication | Bi-directional (2-Way) | |
| IP | IPv4, IPv6 | |
| Protocol | TCP/IP, UDP/IP, RTP(UDP), RTP(TCP), RTCP, RTSP, NTP, HTTP, HTTPS, SSL/TLS, DHCP, FTP, SMTP, ICMP, IGMP, SNMPv1/v2c/v3(MIB-2), ARP, DNS, DDNS, QoS, PIM-SM, UPnP, Bonjour | |
| Security | HTTPS (SSL) login authentication, Digest login authentication, IP address filtering, User access log, 802.1X authentication (EAP-TLS, EAP-LEAP) | |
| Streaming Method | Unicast / Multicast | |
| Maximum User Access | 20 users at unicast mode | |
| Edge Storage | Micro SD/SDHC/SDXC 1 slot (up to 256 GB) - Motion Images recorded in the micro SD/SDHC/SDXC memory card can be downloaded. NAS (Network Attached Storage) Local PC for instant recording | |
| Application Programming Interface | ONVIF Profile S/G, SUNAPI (HTTP API), Open Platform | |
| Webpage Language | English, French, German, Italian, Spanish, Russian, Turkish, Polish, Dutch, Swedish, Czech, Portuguese, Japanese, Chinese, Korean Supported OS : Windows 7, 8.1, 10, Mac OS X 10.10, 10.11, 10.12 - Supported Browsers: Google Chrome 63, Microsoft Edge 41, Microsoft Internet Explorer 11, Mozilla Firefox 57 (Windows 64-bit only), Apple Safari 11 (Mac OS X only) | |
| Web Viewer | Wisenet WAVE, SmartViewer, SSM | |
| Central Management Software | | |
| ENVIRONMENTAL | | |
| Operating Temperature / Humidity | -40°C ~ +60°C (-40°F ~ +140°F) / Less than 90% RH | |
| Storage Temperature / Humidity | -50°C ~ +60°C (-58°F ~ +140°F) / Less than 90% RH | |
| Ingress Protection | IP66, NEMA 4X | |
| Vandal Resistance | IK10 | - |
| ELECTRICAL | | |
| Input Voltage / Current | 24VAC (±10%) / Maximum 6A | |
| Power Consumption | 84W (Heater on), 62W (Heater off) | |
| MECHANICAL | | |
| Color / Material | White / Aluminum | |
| Dimension (WxHxD) | 219x528x335mm (8.62"x20.79"x13.19") | |
| Weight | 11.7 kg (25.79lb) | |

* The latest product information / specification can be found at hanwhasecurity.com

* Design and specifications are subject to change without notice.

* Wisenet is the proprietary brand of Hanwha Techwin.

※ This product is subject to US export licensing requirements. Exports without an export license or other applicable authorization to most countries is prohibited by law