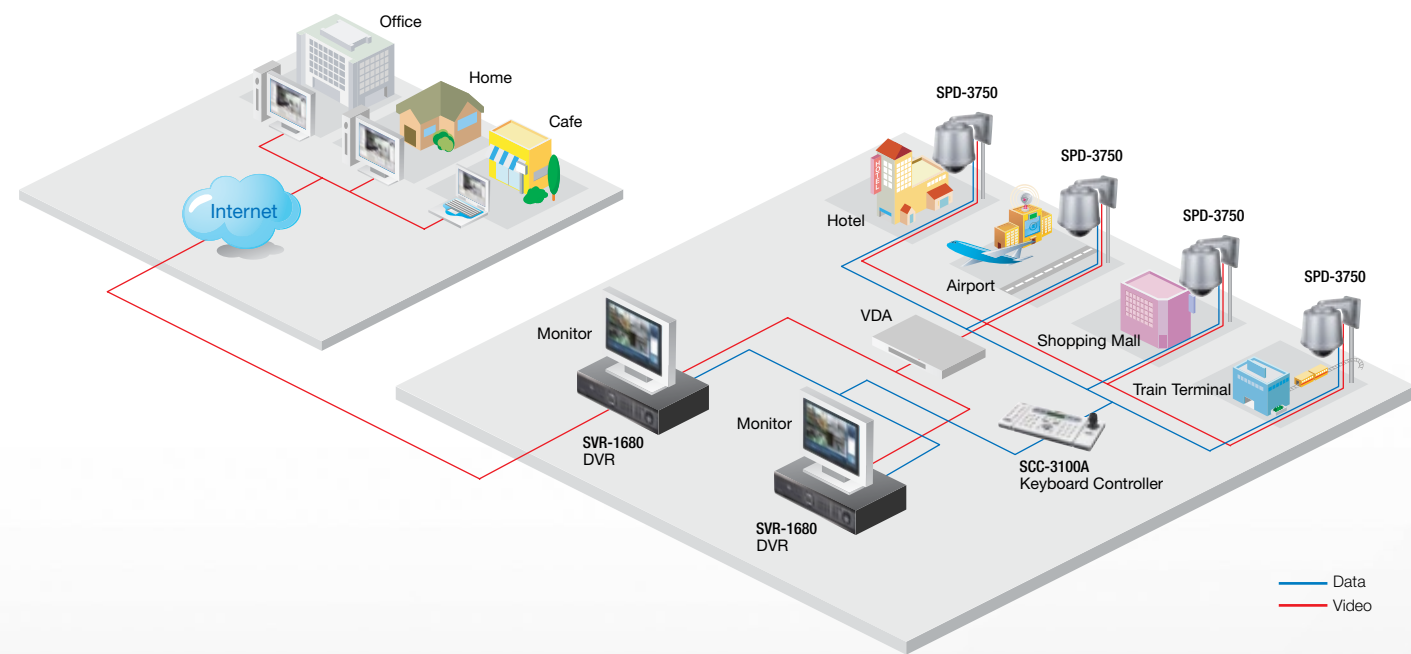


37X Optical Zoom

37X/33X High Resolution WDR PTZ Dome Camera
SPD-3750T/3750/3350



System Configuration



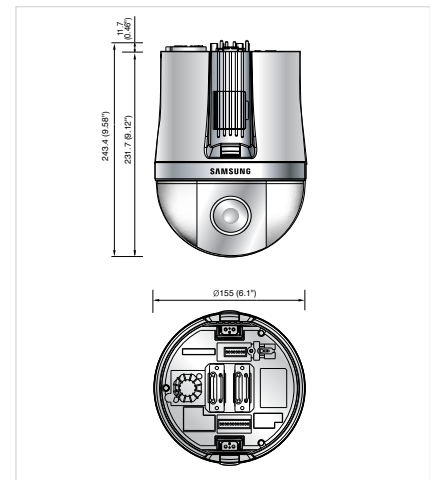
37X/33X High Resolution WDR PTZ Dome Camera SPD-3750T/3750/3350

Specifications

	SPD-3750TN	SPD-3750N	SPD-3350N	SPD-3750TP	SPD-3750P	SPD-3350P
ELECTRICAL						
Input Voltage	24V AC					
Power Consumption	Max. 15W		Max. 13W	Max. 15W		Max. 13W
VIDEO						
Imaging Device	1/4" Vertical double density interline CCD					
Total Pixels	811(H) x 508(V)		795(H) x 596(V)		752(H) x 582(V)	
Effective Pixels	768(H) x 494(V)		752(H) x 582(V)		752(H) x 582(V)	
Scanning System	2 : 1 Interlace					
Synchronization	Internal		Internal / AC line-lock		Internal / AC line-lock	
Frequency	H : 15.734KHz / V : 59.94Hz		H : 15.625KHz / V : 50Hz		H : 15.625KHz / V : 50Hz	
Horizontal Resolution	Color : 550TV lines (Min.) / B/W : 680TV lines (Min.)					
Min. Illumination	Color : 0.7Lux (50 IRE@F1.6), 0.002Lux (Sens-up, 256X) B/W : 0.03Lux (50 IRE@F1.6)					
S / N (Y signal)	50dB					
Video Output	CVBS : 1.0Vp-p / 75Ω					
LENS						
Zoom Ratio	37X (Optical), 12X (Digital)		33X (Optical), 12X (Digital)	37X (Optical), 12X (Digital)		33X (Optical), 12X (Digital)
Focal Length	3.5 ~ 129.5mm (F1.6 ~ 3.9)		3.5 ~ 115.5mm (F1.6 ~ 3.9)	3.5 ~ 129.5mm (F1.6 ~ 3.9)		3.5 ~ 115.5mm (F1.6 ~ 3.9)
Max. Aperture Ratio	1 : 1.6(Wide) ~ 3.9(Tele)		1 : 1.6(Wide) ~ 3.6(Tele)	1 : 1.6(Wide) ~ 3.9(Tele)		1 : 1.6(Wide) ~ 3.6(Tele)
Min. Object Distance	1.9m (6.23ft)					
Angular Field of View	H : 55.5°(Wide) ~ 1.59°(Tele) V : 42.5°(Wide) ~ 1.19°(Tele)		H : 55.5°(Wide) ~ 1.77°(Tele) V : 42.5°(Wide) ~ 1.33°(Tele)	H : 55.5°(Wide) ~ 1.59°(Tele) V : 42.5°(Wide) ~ 1.19°(Tele)		H : 55.5°(Wide) ~ 1.77°(Tele) V : 42.5°(Wide) ~ 1.33°(Tele)
Focus	Auto / Manual / One-push					
Zoom Movement Speed	2.5sec		2.4sec	2.5sec		2.4sec
Iris Control	Auto / Manual					
PAN / TILT						
Auto Tracking	-		Built-in	-		-
Pan Range	360° Endless					
Pan Speed	Preset : 500°/sec / Manual : 0.024°/sec ~ 120°/sec (Proportional zoom ratio)					
Tilt Range	-6° ~ 186°					
Tilt Speed	Preset : 500°/sec / Manual : 0.024°/sec ~ 120°/sec (Proportional zoom ratio)					
Preset Positions	255					
Preset Accuracy	±0.1°					
PTZ Mode	Preset, Swing, Group, Tour, Track (Track is applied to SPD-3750T only)					
OPERATIONAL						
On Screen Display	Built-in (Currently supported languages : English, Spanish, Italian, French, German, Japanese, Chinese)					
Camera Title	On / Off					
ID (Camera Address)	1 ~ 255					
Day & Night	Auto (ICR) / Color / B/W					
Backlight Compensation	WDR / BLC / HLC / Off					
Dynamic Range	52dB					
Motion Detection	On / Off					
Digital Image Stabilization	On / Off					
Privacy Masking	On / Off (8 Programmable zones)					
3D Noise Filter (SSNR II)	Low / Medium / High / Off					
Sens-up (Frame Integration)	On / Off (Selectable limit ~ 256X)					
Gain Control	Low / Medium / High / Manual / Off					
White Balance	ATW / AWC / Manual / Indoor / Outdoor					
Electronic Shutter Speed	Auto (NTSC : 1/60 ~ 1/120,000sec, PAL : 1/50 ~ 1/120,000) / Manual / A.FLK					
Communication	RS-485/422					
Protocol	Samsung Techwin, Pelco-D, Pelco-P, Panasonic, Honeywell, AD, Vicon, Samsung Electronics					
Alarm	4 In, 2 Out, 1 Aux					
Auto Digital Flip	On / Off					
ENVIRONMENTAL						
Operating Temperature / Humidity	-10°C ~ +50°C / 20% ~ 80% RH					
Storage Temperature / Humidity	-20°C ~ +60°C / 20% ~ 95% RH					
MECHANICAL						
Dimension (WxH)	Ø155 x 243.4mm (Ø6.1" x 9.58")					
Weight	2Kg (4.41 lb)					
Ingress Protection	IP67 (Optional housing)					
Certifications	FCC (Class A), UL (External power supply)			CE (Class A)		



Dimensions



Controller (Option)



The Eco mark represents Samsung Techwin's will to create environment-friendly products, and indicates that the product satisfies the EU RoHS Directive.

SAMSUNG TECHWIN CO., LTD.
145-3, Sangdaewon 1-dong, Jungwon-gu, Seongnam-si, Gyeonggi-do Korea 462-703
Tel : +82-31-740-8151-8 Fax : +82-31-740-8145
www.samsungcctv.com

SAMSUNG TECHWIN AMERICA INC.
1480 Charles Wilard St. Carson, CA 90746, UNITED STATES
Tel : +1-877-213-1222 Fax : +1-310-632-2195
www.samsungcctvusa.com

SAMSUNG TECHWIN EUROPE CO., LTD.
Samsung House, 1000 Hillwood Drive, Hillwood Business Park
Chertsey, Surrey, UNITED KINGDOM KT16 0PS
Tel : +44-1932-45-5300 Fax : +44-1932-45-5325

TIANJIN SAMSUNG TECHWIN OPTO-ELECTRONICS CO., LTD.
No.11 Wei 6 Street, Micro-Electronic Industrial Park
Jingang Road, Tianjin, P.R. CHINA 300385
Tel : +86-22-23887788 Fax : +86-22-23887788

DESIGNED BY DISTRIBUTED BY

SAMSUNG SAMSUNG TECHWIN

SVIV



Dynamic Security
37X Optical Zoom
Intelligent Auto Tracking

SPD-3750T/3750/3350

37X/33X High Resolution WDR PTZ Dome Camera

- Up to 37X optical zoom, Max. 444X zoom
- High resolution of 550TV lines in color
- Intelligent auto motion tracking (SPD-3750T only)
- 128X pixel control WDR, Min. illumination of 0.7Lux



www.samsungcctv.com

Dynamic Security

The SPD-3750T/3750/3350 premium ptz dome cameras feature a 37X optical zoom, intelligent auto tracking with WDR, and a high-speed pan/tilt of 500° per second guaranteeing 24/7 total monitoring.

Integrated High-Tech DSP **SV-IV** High-Quality Images Guaranteed !

Easy Installation Perfect Anywhere



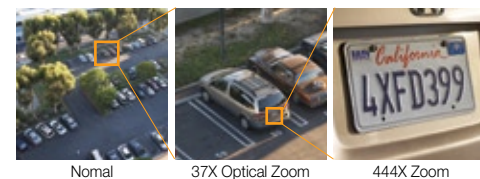
Quick & Simple Connection

One Touch The SPD-3750T/3750/3350 have press tabs on both sides of the body, enabling quick and simple way to connect to the mount.



37X Optical Zoom, Max 444X Combined Zoom

37X Optical Zoom The built-in auto focus zoom in the SPD-3750T/3750/3350 models offer 37X (3.5 ~ 129.5mm) and 33X (3.5 ~ 115.5mm) to capture distant objects clearly, and a combined optical/digital zoom up to 444X for broad area monitoring.



Intelligent Auto Tracking (SPD-3750T)

Auto Tracking The SPD-3750T's Intelligent Auto Tracking lets the camera recognize and follow moving objects for automatic monitoring.



128X More Powerful WDR

WDR 128X The more powerful 128X WDR (Wide Dynamic Range) with pixel image analysis provides a crystal clear view of backlit objects and places under direct sunlight, making these cameras well suited for building entrances, as well as airport and terminal lobbies.



255 Presets, DIS Support

255 Preset **DIS** Up to 255 places can be preset for automatic monitoring, while a variety of other options like DIS (Digital Image Stabilization), a Multi-language OSD, and privacy masking make these cameras easy and convenient to use in any environment.



500°/sec. High-Speed Pan/Tilt

500° The 500° per second high-speed pan/tilt in the SPD-3750T/3750/3350 allow instant monitoring of both large and selected area.



Alarm Input/Output and Aux Control

Alarm **Aux** The SPD-3750T/3750/3350 support alarm input and output operations and with Aux control, they can control other aux-connected peripheral devices.



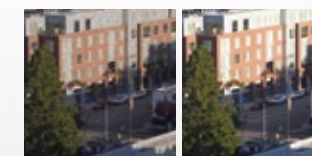
0.7Lux Ultra-Low Light Levels

0.0001Lux The camera's ICR Day & Night capabilities provide optimal video quality day or night, and the ultra-low light level 0.7Lux ensures clear object recognition in complete darkness.



550TV Lines High Resolution

550TVL The embedded SV-IV DSP chip in these cameras helps to provide clear color images at 550TV line resolution and black and white images at 680TV line resolution.



Various Exclusive Accessories

A large exclusive selection of accessories for ceilings, walls, poles, corners, and parapets are available for customized installations.

