

Robust and Rugged Network Security



Vandal-Resistant Network Dome Camera

SND-460V



The SND-460V network fixed dome uses Samsung Techwin's critically acclaimed DSP engine and advanced network codec chipset to deliver high-quality images with multiple network capabilities. What's more, the SND-460V is a true day/night dome camera that produces excellent images in low-light conditions and includes Highlight Compensation (HLC) to "see-through" bright light sources. Weatherproofed to IP66, the SND-460V features a die-cast vandal-resistant body and tough polycarbonate bubble ensuring it is the ideal choice for virtually any general surveillance application.

- Real-time MPEG-4/JPEG dual codec
- Delivers full resolution video at 30fps(N) in real time.
- Intelligent video analytics (Appearance/Disappearance of objects)
- High impact dome cover and aluminum body, IP66 Protection
- Ultra low light levels of 0.15Lux, Day&Night with ICR

Preliminary

Vandal-Resistant Network Dome Camera

SND-460V

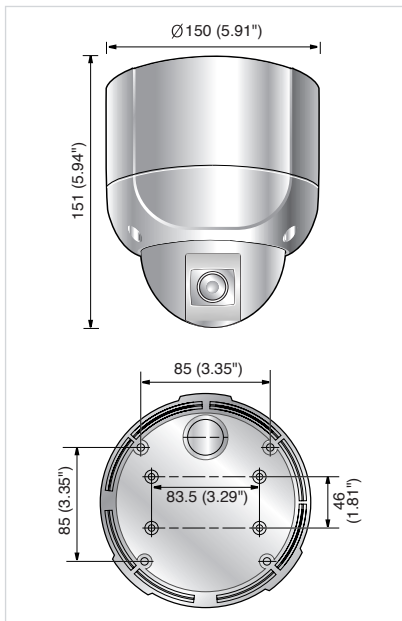


Specifications

	SND-460VN	SND-460VP	
VIDEO			
Imaging Device	1/3" Vertical double density interline CCD		
Total Pixels	811(H) x 508(V)	795(H) x 596(V)	
Effective Pixels	768(H) x 494(V)	752(H) x 582(V)	
Scanning System	2 : 1 Interlace		
Frequency	H : 15.734KHz / V : 59.94Hz	H : 15.625KHz / V : 50Hz	
Horizontal Resolution	Color : 580TV lines (Min.), B/W : 700TV lines (Min.)		
Min. Illumination	Color : 0.15Lux (50 IRE@F1.2), 0.0006Lux (Sens-up, 256X) B/W : 0.01Lux (50 IRE@F1.2)		
S / N (Y signal)	52dB		
OSD	Built-In (Currently supported language : English, Spanish, French, German, Italian, Japanese, Chinese)		
Camera Title	On / Off		
Day & Night	Auto (ICR) / Color / B/W		
Backlight Compensation	BLC / HLC / Off		
Dynamic Range	52dB		
Motion Detection	On / Off		
Digital Image Stabilization	On / Off		
Privacy Masking	On / Off (8 Programmable zones)		
3D Noise Filter (SSNRI)	On / Off (Level adjustable)		
Sens-up (Frame Integration)	Auto / Off (Selectable limit ~ 256X)		
Gain Control	High / Low / Off		
White Balance	ATW / AWC / Manual / Indoor / Outdoor		
Electronic Shutter Speed	Auto (NTSC : 1/60 ~ 1/120,000sec, PAL : 1/50 ~ 1/120,000) / Manual / A.FLK		
LENS			
Zoom Ratio	3.6X (Manual)		
Focal Length	2.8 ~ 10mm (F1.2)		
Max. Aperture Ratio	1 : 1.2(Wide) ~ 2.8(Tele)		
Min. Object Distance	0.2m (0.66ft)		
Angular Field of view	Horizontal	94.4°(Wide) to 28°(Tele)	
	Vertical	69.2°(Wide) to 21°(Tele)	
Focus	Manual		
Iris Control	Auto		
PAN / TILT			
Pan Range	0 ~ 340°		
Tilting Range	0° ~ 146°		
Rotate Range	0° ~ 340°		
PERFORMANCE			
Encoding	Resolution	Up to 704 x 480	Up to 704 x 576
	Compression	MPEG-4 / JPEG Dual Codec	
	Encode Rate	Up to 30fps@704 x 480	Up to 25fps@704 x 576
Network	Transmission Speed	Up to 100Mbps	
	Max. Remote Users	20 simultaneously	
	Protocol Support	RTP/UDP, RTP/TCP, RTSP, RTCP, IGMP, TCP/IP, DHCP, DNS, DDNS, HTTP, SMTP, FTP	
Security	Video Analytics	Object Detection (Appear / Disappear)	
	Password Protection	5 User Level	
INTERFACE			
Monitor	Output	1 BNC (560TV lines)	
	Input	1 Line / MIC in, Mono, 1Vpp, 5.6K ohm	
Audio	Output	1 Line out, 1Vpp	
	Compression	ADPCM	
	Sampling Rate	8KHz	
Alarm	Inputs	Terminal 1 input, NO/NC	
	Outputs	Terminal 1 output, NO/NC	
Connections	Remote Notification	Via e-mail or FTP	
	Ethernet	RJ-45 10/100 Base-T	
Storage	SD (SDHC) Memory	Stored event image, Back-up	
GENERAL			
Input Voltage	12V DC/ 24V AC ±10%, PoE (IEEE 802.3af)		
Power Consumption	Max. 8.5W		
Operating Temperature / Humidity	-10°C to +50°C / 30%RH to 80%RH		
Dimension (WxH)	Ø150 x 151mm (Ø5.91" x 5.94")		
Weight	1.8Kg (3.97 lb)		
Ingress Protection	IP66		
Certification	FCC (Class A), cUL/UL listed	CE (Class A)	

Dimensions

Unit : mm (inch)



The Eco mark represents Samsung Techwin's will to create environment-friendly products, and indicates that the product satisfies the EU RoHS Directive.

Design and specifications are subject to change without notice.



SAMSUNG TECHWIN CO., LTD.

145-3, Sangdaewon 1-dong, Jungwon-gu, Seongnam-si, Gyeonggi-do Korea 462-703
Tel : +82-31-740-8151-8 Fax : +82-31-740-8145
www.samsungipolis.com

SAMSUNG TECHWIN AMERICA Inc.

1490 Charles Willard St, Carson, CA 90746, UNITED STATES
Tel Free : +1-877-213-1222 Fax : +1-310-632-2195
www.samsungcctvusa.com

SAMSUNG TECHWIN EUROPE CO., LTD.

Samsung House, 1000 Hillwood Drive, Hillwood Business Park
Chertsey, Surrey, UNITED KINGDOM KT16 OPS
Tel : +44-1932-45-5300 Fax : +44-1932-45-5325

TIANJIN SAMSUNG TECHWIN OPTO-ELECTRONICS CO., LTD.

No.11 Wei 6 Street, Micro-Electronic Industrial Park
Jingang Road, Tianjin, P.R. CHINA 300385
Tel : +86-22-23887788 Fax : +86-22-23887788

■ DISTRIBUTED BY

