

34x Optical Zoom High Speed Dome Camera

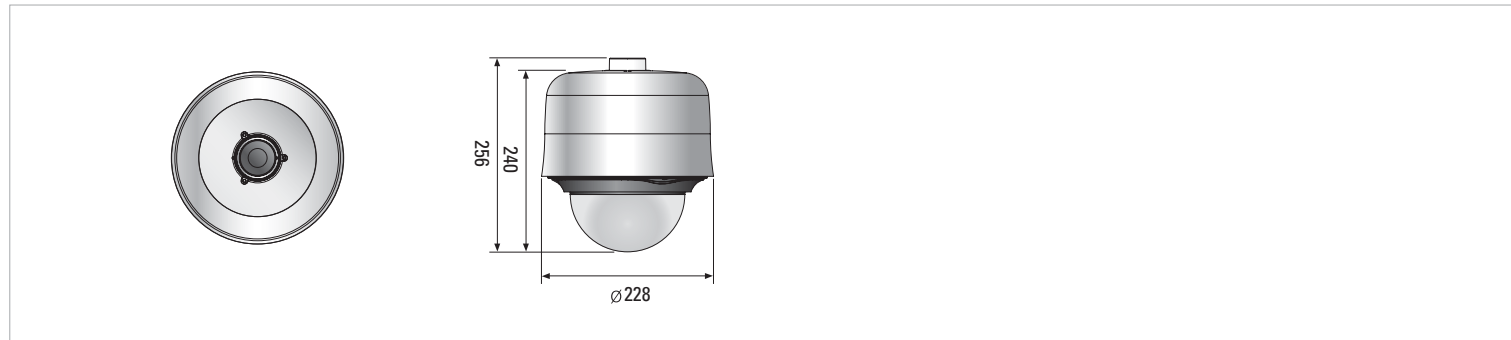
SCC-C7437/C7439 NEW



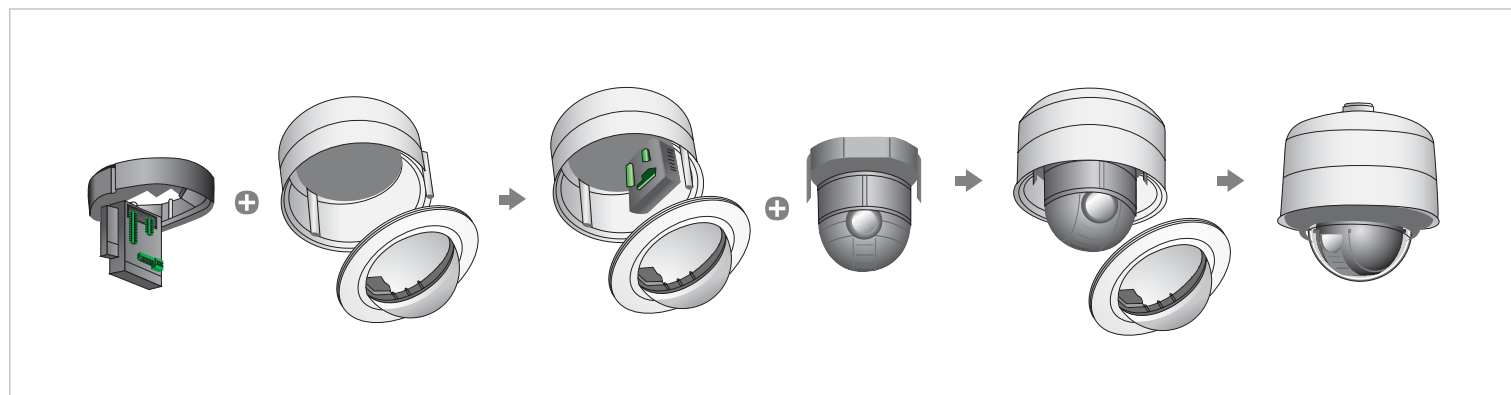
Features

- 1/4" SONY 410K/470K Pixels Super-HAD IT CCD (SCC-C7437)
- 1/4" SONY 410K/470K Pixels Ex-View HAD PS CCD (SCC-C7439)
- 34x Optical & 16x(0.1step) Digital Zoom
- High Resolution : 600 TV Lines
- Min. illumination 0.0007 Lux (F1.2, 15 IRE, Sens-up 512x, Color)
- 0.00007 Lux (F1.2, 15 IRE, Sens-up 512x, B/W)
- 0~360° Endless Pan, -6~186° Tilting (D-Flip)
- Pan/Tilt Speed Min. 0.01°/sec, Max. 600°/sec
- Preset 512 ea, Auto Pan 4 ea, Pattern 3 ea
- Wide Dynamic Range (NTSC 128x, PAL 160x) : SCC-C7439 Only
- Virtual Progressive Scan (VPS) : SCC-C7439 Only
- Day Night Function (ICR), Sens-up Function (512x)
- Adaptive Digital Noise Reduction (3D + 2D)
- Back Light Compensation (Area Setting)
- Advanced Motion Detection Function
- eXtended Dynamic Range (XDR)
- Privacy Mask Function (12ea)
- DIS (Digital Image Stabilization) • Time & Day Scheduling
- CCVC (Camera Control Via Coaxial cable, Controller : SCX-RD100)
- RS-485 (Half/Full)/RS-422 Control (Multi-Protocol support)
- Multi-Language OSD (E, F, G, S, I, J, R, P, C, etc) support
- Intelligent Video (Moved/Fixed/Fence/Tracking)
- Alarm Input 8 ea, Output 3 ea
- Operating Temp. : -50 ~ 50°C

Dimensions (unit:mm)



Easy Installation



Specifications

Model	SCC-C7437		SCC-C7439
Camera Type	Color/BW		
Image	Device	Color	
	Pixels	Effective	768 x 494 (NTSC) / 752 x 582 (PAL)
Resolution	Horizontal		
Min. Scene Illumination	Color	Sens-up Off	0.6Lux(15IRE), 1.2Lux(30IRE), 2Lux(50IRE)
		Sens up 512x	0.001Lux(15IRE), 0.002Lux(30IRE), 0.004Lux(50IRE)
	B/W	Sens-up Off	0.06Lux(15IRE), 0.12Lux(30IRE), 0.2Lux(50IRE)
		Sens up 512x	0.0001Lux(15IRE), 0.0002Lux(30IRE), 0.0004Lux(50IRE)
Pan/Tilt	Speed	Manual Pan	0.01°/sec ~ 180°/sec
		Preset Pan	600°/sec
		Manual Tilt	0.01°/sec ~ 180°/sec
		Preset Tilt	600°/sec
	Range	Panning / Tilting	0°~360°(Endless) / -6°~186°
	Number of Auto PAN		
	4 ea		
	Number of Preset		
	512 ea		
	Number of Pattern		
	3 ea		
Functions	Number of Privacy Zone		
	12 ea		
	Day/Night / Motion Detection		
	Auto / Day / Night(ICR) / Yes, Sensitivity 1~7 Level		
	Wide Dynamic Range		
	- Yes (NTSC:128x, PAL:160x)		
	D-Zoom / High Speed Shutter		
	Yes(~16x) / 1/100~1/10K sec		
	Sens Up / BLC		
	Yes(2x ~ 512x) / Off/On		
	AGC		
	Off/On (Very Low / Low / Mid / High / Very High / User / Fix)		
	Auto Focus		
	Manual / Auto (pan, tilt, zoom linked) / one AF		
	Synchronization		
	Internal / Line lock		
	Camera ID		
	Max 54 Character, 2 Line		
	VPS(Virtual Progressive Scan)		
	- Yes		
	XDR(eXtended Dynamic Range)		
	Off/On(Low/Middle/High)		
	DNR(Digital Noise Reduction)		
	Off/On(Low/Middle/High/User(3D/2D))		
	Schedule		
	Day / Time Schedule		
	White Balance		
	ATW1 / ATW2 / AWC(Manual) / 3200 / 5600		
Video Output	VBS 1.0Vp-p		
S/N Ratio	52 dB		
Lens	Focal Length / Min. Object Distance		
	3.4 ~ 115.6mm / 100cm		
	Zoom Ratio / Aperture Ratio		
	34x Optical (544x with 16x Digital zoom) / F1.65(W)/F3.7(T)		
	Viewing Angle		
		Tele	1.77°(H) x 1.33°(V)
		Wide	57.58°(H) x 44.44°(V)
	Lens Drive Type / Mount Type		
	DC Auto Iris / Board-in type		
OSD	Yes		
Alarm	Input / Output		
	8 ea / 3 ea (2 Open Collector, 1 relay)		
Remote Control	RS485(Half/Full Duplex) / RS422, CCVC		
Environmental Conditions	Operating Temperature		
	-50°C ~ +50°C		
	Operating Humidity		
	Less than 90%		
Power	Power Requirement		
	24 VAC		
	Power Consumption		
	16W / 47W(with fan/Heater)		
	LED Indicator		
	Yes		
Physical Specification	Dimensions		
	228(Ø) x 256(H)mm		
	Weight		
	3.0kg		
	Color		
	Light Gray		