

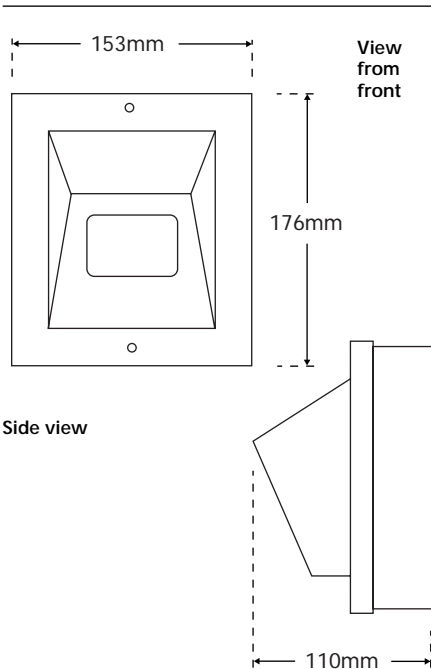


**DISCREET CAMERA**

**MONOCHROME**

# SM-510VRIR

- Outdoor vandal-resistant high resolution monochrome surface mount camera with built-in IR illumination



- Superb picture quality at zero lux
- Can view up to five metres in complete darkness
- Beige, powder-coated, 1.5mm stainless steel housing designed to IP65
- Easily replaceable, toughened, 4mm thick, polycarbonate viewing window
- Camera module mounted on manually adjustable miniature 'swivel and tilt' cradle, for exact camera positioning
- Comes with built-in 220Vac heater and thermostat to prevent misting
- Two conduit knockouts to enable vandal-resistant cabling

- 1/3" CCD
- 560 TV lines
- 0 lux to 5m, 2 lux to ∞
- Supply voltage: 12 Vdc

### Lens options

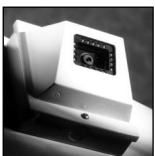
Lens	Product Code
4.0mm	SM-510VRIR
6.0mm	SM-510VRIR/6.0
8.0mm	SM-510VRIR/8.0
12.0mm	SM-510VRIR/12.0

All lens options are the same price

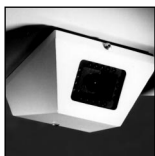
*"These units are small, can withstand a very high level of abuse and we would recommend their use"*

PSI Magazine Bench Test - October 1998

### See Also:



**SM-310VRIR**  
Standard resolution option



**CW-500VRIR/A**  
Indoor high resolution ceiling/wall option



**CM-510VRIR**  
High resolution corner mount option

SPECIFICATION		MOD-507 camera module	
<b>VIDEO</b>	Image sensor	1/3" CCD sensor, 725 (H) x 582 (V) pixels	
	Horizontal resolution	560 TV lines or greater	
	Lens options	SEE TABLE	
	Electronic shutter	Automatic linear shutter	
	Sensitivity	0 lux to 5m, 2 lux to ∞	
	Video output	CCIR, 1Vp-p, 75 Ohms	
	Supply voltage	12 Vdc ± 10%	
	Working temperature	-10°C to +50°C	
	<b>IR</b>	IR wavelength	880nm
		Number of LEDs	18
Angle of illumination		50°	

Specification and availability of products are subject to change without notice