

PixelPro Network Camera 3/5 Megapixel Bullet/Box Series



GANZ
PixelPro

Features:

- 3 and 5 megapixel resolution
- Progressive scan CMOS sensor
- 3-10.5mm (3 megapixel)/3.6-10mm(5megapixel) varifocal lens (Bullet Series)
- Proset system allows you to zoom and focus directly from your PC
- True WDR (Wide Dynamic Range)
- True Day/Night performance
- 42 IR LEDs (Bullet Series)
- DPC (Defective Pixel Correction)
- Triple power (12VDC/24VAC/PoE)
- Dual streaming video
- External alarm I/O



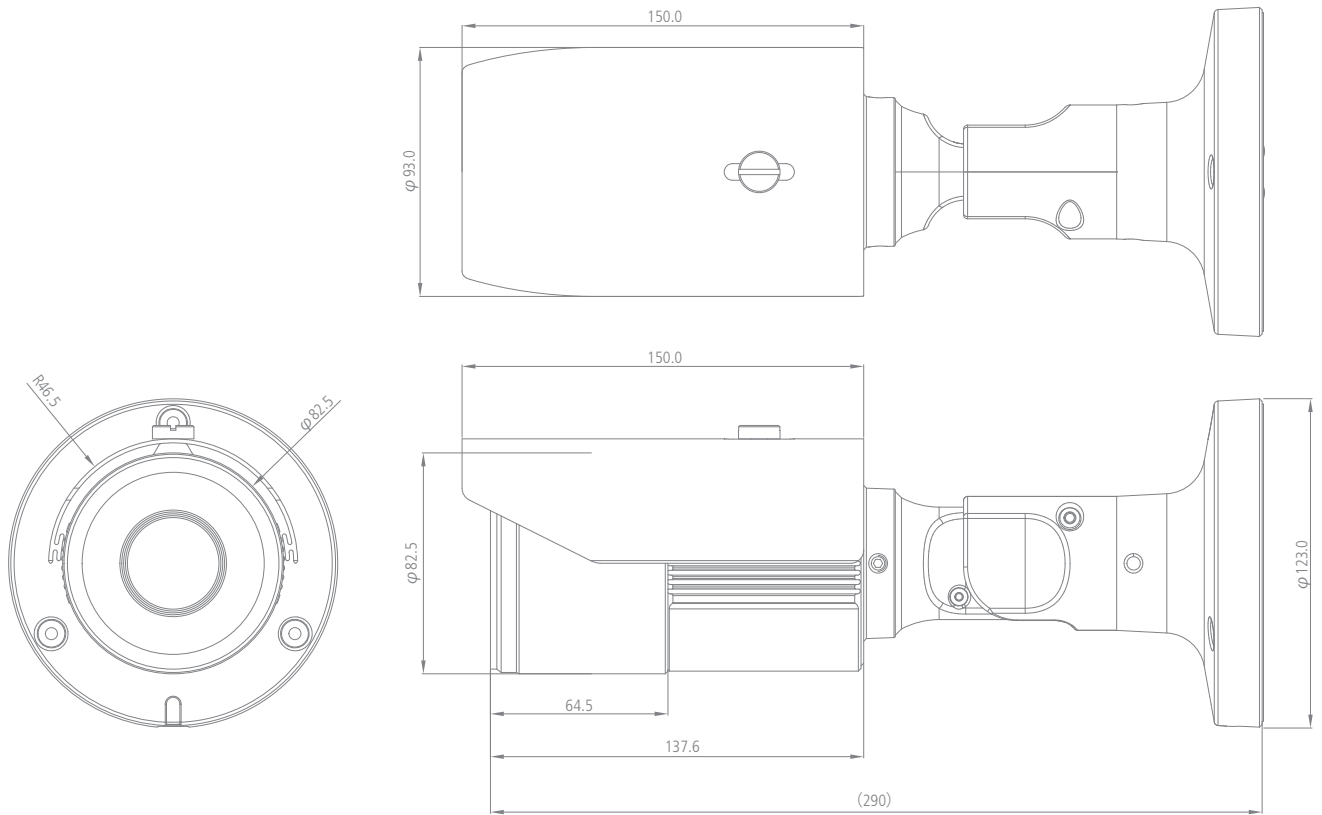
PixelPro Network Camera 3/5 Bullet/Box Series



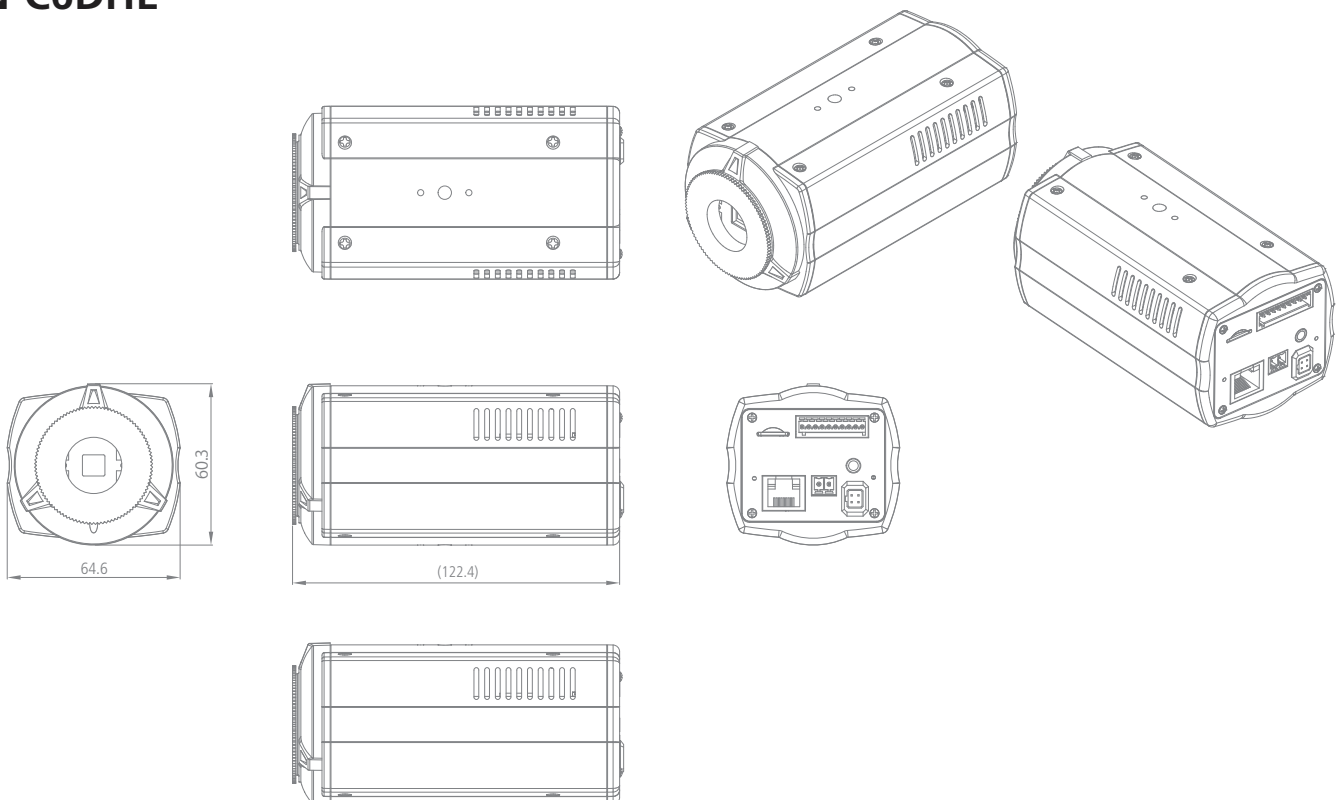
Model Number		ZN-B5DMP58HE	ZN-B6DMP55HE	ZN-C6DHE
Camera	Description	Outdoor Bullet	Outdoor Bullet	Box Camera
	Image Sensor	1/2.8" Sony ExmorR CMOS	1/1.8" Sony ExmorR CMOS	
	Max. Resolution & frame rate	2048 x 1536 30fps 1920 x 1080 60fps	2592 x 1944 30fps 1920 x 1080 60fps	
	Effective Pixels (H x V)	2064 x 1552 (3.20M)	2609 x 1960 (5.11M)	
	Effective Image Size (mm ; H x V, Diag)	5.16 x 3.88, 6.46 mm	6.26 x 4.70, 7.83mm (1/2")	
	Day & Night	Removable IR Cut Filter		
	D->N threshold	SW selectable		
	N->D threshold	SW selectable		
	IR LED Number	42	-	
	IR LED Lighting	Auto / Off	-	
	Adaptive IR	ON / OFF	-	
	Min. illumination	0 lx with IR LED ON	0.06 lx (F1.2 / 30IRE)	
	WDR	True-WDR		
	White Balance	ATW / MANUAL(PRESET)		
	AGC	Yes		
	S/N ratio	48 dB or more		
	BLC(Back Light Compensation)	Yes		
	Defog	Yes		
	e-Shutter Speed (Manual)	1/4~1/2000		
	e-Shutter Speed (Auto)	1/25(30)~1/5000		
	Slow Shutter	Off, x2, x4, x8		
	3D DNR	Yes (Depends on Codec Configuration)		
	Privacy Mask	4 area (8 color)		
Lens	Lens	Motorized with P-iris f=3~10.5mm, F1.4	Motorized with P-iris f=3.6~10mm, F1.5	C/CS Mount
	Iris	P-iris		Manual / DC Auto Iris
	Optical Zoom	3.5x	2.7x	-
	Field of View (H/V/D)	84 / 61 / 94° (wide) 30 / 23 / 37° (tele)	81 / 60 / 92° (wide) 37 / 27 / 44° (tele)	-
Network	Network	10BASE-T, 100BASE-TX, RJ45		
	Image Compression	H.264, MJPEG : Image quality: 100 Steps(Q value)		
	Resolution	2048 x 1536, 1920 x 1080(Full HD), 1280 x 1024(SXGA), 1024x768(XGA), 1280 x 720(720p), 640 x 480(VGA), 640x360(HVGA), 704x480/576(4CIF), 352x240/288(CIF)	2592 x 1944, 2304 x 1296, 2048 x 1536, 1920 x 1080(Full HD), 1280 x 1024(SXGA), 1024x768(XGA), 1280 x 720(720p), 640 x 480(VGA), 640x360(HVGA), 704x480/576(4CIF), 352x240/288(CIF)	2592x1944, 2304x1296, 2048x1536, 1920 x 1080(Full HD), 1280 x 1024(SXGA), 1024x768(XGA), 1280 x 720(720p), 640 x 480(VGA), 640x360(HVGA), 704x480/576(4CIF), 352x240/288(CIF)
	Digital Zoom	2 ~ 10x(Client Software)		
	Protocol	IPv4, HTTP, SMTP, UPnP, DNS, RTSP, DDNS, RTP, TCP, UDP, RTCP, DHCP, ARP, FTP, IGMP, ICMP, NTP		
	Max Connections	Unicast : 10, Multicast: Unlimited		
	Frame Rate	1fps ~ 25fps / 1fps ~ 50fps ;50Hz, 1fps ~ 30fps / 1fps ~ 60fps ;60Hz		
	Web Browser	Internet Explorer 9.0 or above, Firefox, Chrome, Smart Phone (iOS, Android)		
	Security	Password Protection		
	SDK(API)	HTTP based API, ONVIF Profile S		
	VMD (Video Motion Detection)	User set 4 ROI(Region Of Interest), 30 Step Sensitivity		
	ROI	TBD		
	Recording	Snapshot (microSD Card)		
	Alarm Trigger	VMD, External Alarm input		
	Alarm Event	E-mail notification(Snapshot), FTP transfer(Snapshot), External Alarm Out		
	Defective Pixel Correction	Yes (On the fly)		
	Streaming	Dual Stream		
	Tamper Detection	-		
	Multi Language	Yes		
Analog (Installation Only)	Video Signal	NTSC/PAL selectable		
	Monitor Output	Composite Output(BNC), 75 ohm 1Vpp		
	Scanning Frequency	NTSC: (H)15.734kHz, (V)59.94Hz, PAL: (H)15.625 kHz, (V)50 Hz		

DIMENSIONS (Unit:mm)

ZN-B5DMP58HE/ZN-B6DMP55HE



ZN-C6DHE



GANZ PixelPro Network Camera 3/5 Megapixel Bullet/Box Series SPECIFICATION-2 (Power, I/O, Audio and Other)

Model Number		ZN-B5DMP58HE	ZN-B6DMP55HE	ZN-C6DHE
Power	DC	12VDC		
	AC	24VAC		
	PoE	IEEE 802.3af Class3		IEEE 802.3af Class2
	Power Consumption	855mA @ 12VDC, 10.3W 870mA @ 24VAC, 12.9W 250mA @ PoE, 12W	890mA @ 12VDC, 10.8W 900mA @ 24VAC, 13.3W 260mA @ PoE, 12.5W	372mA @ 12VDC, 4.5W 196mA @ 24VAC, 4.7W 94.4mA @ PoE, 4.5W
	Heater	3W ceramic heater		-
I/O	microSD Card, Max Memory Size	SD / SDHC, up to 32GB		
	Analog Video Out (Installation Only)	CVBS Output, Stereo Jack		
	Alarm In	1		
	Alarm Out	1(relay)		
	RS-485	-		YES
Audio	Audio In	1x Line in		
	Audio Out	1x Line out		
	Audio CODEC	G.711 u-law 8kHz		
Others	FAN	1		-
	Ambient Temperature	-40°C ~ 50°C (-40°F~122°F)		0°C ~ 40°C (32°F~104°F)
	Ambient Humidity	less than 90%, Non-condensing		
	Materials	Aluminum Diecasting		
	Weight	1.44kg		316g
	Dimensions(W x H x D)	ø82.5 x 290(L), Bracket:ø123mm ø3.3 x 11.4(L), Bracket:ø4.8 inch		64.6(W) x 60.3(D) x 122.4(L) mm 2.5(W) x 2.4(D) x 4.8(L) inch
	IK Rating	-		
	IP Rating	IP66		-

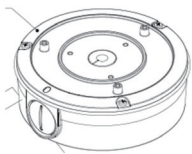
COMPATIBLE WITH:

Check our website or contact customer service for most updated information.



ACCESSORIES

Junction Box Bracket



CBC AMERICAS Corp.
Corporate Headquarters
Tel: 1-919-230-8700

West Coast Office
Tel: 1-310-222-8600

Mexico City Office
Tel: +52 55 5280 4660

ganzsecurity.com

©2016 CBC AMERICAS Corp. All rights reserved.