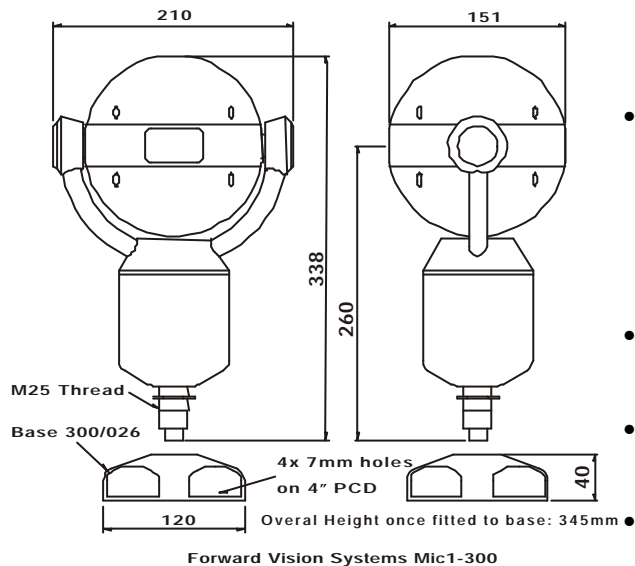


Data Sheet for Mic1-300 / 2.



The **Multipurpose Integrated Camera** Mic1-300 Version 2 offers a high quality 'plug and play' product. It replaces all the conventional components of a CCTV shoe box housing mounted over a Pan and Tilt gear box with telemetry receiver at pole base, giving a durable, remotely controlled, camera at a competitive price. The unit includes the following features:

Mechanical details:



Key New features added to the Mic1-300 this year.

- The introduction of **resolvers** for both Pan and tilt positional measurement. This has the effect of producing extremely accurate preset positions together with removing the life limitation of potentiometers with wipers that wear.
- **Preset angular error for both pan and tilt better than 0.09 Degrees.**
- Capable of continuous preset tours at 5 sec intervals for 12 months.
- A new motor drive algorithm is been developed to improve the manual control of the camera, which now provides ultra smooth control of the camera at very low speeds.

Standard features that continue to be supported by this new product.

- Compact Size; Camera housing = 145mm dia. **Overall Height = 345mm.** Swept Width and depth = 205mm. Weight = 4.5 Kgms.
- High resolution 1/4" CCD DSP colour camera (Sony FCB-EX470P) giving 768x494 pixels
Lens F1.4 f= 4.1 to 73.8mm zoom, Auto focus, 0.2Lux (monochrome) sensitivity at 50 frames per sec, 0.01 Lux (monochrome) at 3 frames/sec, 18x optical, 4x digital zoom.
- Housing: water proof (except for the connector) & vandal resistant.
- Manufactured from Al alloy, alocromed then 2 part epoxy coated for maximum protection. Shafts and fixings are stainless steel.
- Integral pan and tilt motor drive units. Integral telemetry control card.
- Continuous rotation Pan slip ring assembly.
- Max speed = 100 Deg / Sec, Min speed = 0.5 Deg / Sec
- 64 internally stored pre-set positions. 10 camera mode preset configurable via telemetry, for colour and night vision correction.
- Text on Video: Up to 20-characters (controlled by telemetry). On camera clock and date externally synchronisable via telemetry.
- No site set-up required, (E.g. for camera address selection etc.) unit is supplied sealed to prevent internal condensation.
- Distortion free optics, always provide crystal sharp images at all optical zoom settings.
- Optional Integral wiper. Drive for external washer relay and pump.
- Pan and tilt rate sensitivity controlled by camera zoom lens setting.
- Product supports a number of industry standard telemetry protocols. Vicon, VCL, Ernitech, Vertex.
- Tamper Switch input.
- 45 degree angle yoke, allows the camera to look vertically downwards from pole top.
- The unit requires 15Vrms AC Power. Peak current = 1.4 Amps. Nominal current draw = 405mA.
- Colours available are: Jet Black RAL9005, Signal White RAL9003, Silver Grey RAL7001.
- Angle of view = 48 degrees at wide angle, 2.7 degrees at optical telephoto.

Forward Vision CCTV Ltd, Unit 1, Taplins Court, Church Lane, Hartley Wintney, Hants RG27 8XU.
Tele: 08700-113131, Fax: 08700-113132, Web: www.fvcctv.co.uk
Specification may change without notice.
E & OE.