



Illustration:
EZ 550 with additional IR illuminator EIR 100

EZ 550 - 1/3" outdoor long range IR camera with motorised 6~50mm lens

Specifications

Camera

Pick up device: 1/3"Sony super HAD interlaced CCD

Effective pixel: NTSC: 768 (H) x 494 (V); PAL: 752 (H) x 582 (V)

Sensitivity: IR LED OFF: 0.2 Lux / F=1.2,
IR LED ON: 0 Lux

Lens: motorised DC varifocal lens 6~50mm, F=1,6

Video output: BNC socket, composite 1 V p-p / 75 Ohm

Video output resolution: colour mode: 530 TV lines / b/w mode: 560 TV lines

IR Distance: max. 30 ~ 50 m (depending on reflection in scenery)

max. 40 ~ 70 m with additional IR illuminator kit EIR 100

IR wavelength: 850nm

Motion detection: built-in motion detection, 4 zones

RS-485: RS-485 interface half-duplex (1: RS485+, 2: RS485-)

Protocols: EverFocus, Pelco - D

Power supply: EZ 550 / P: AC100V~240V, 50/60 Hz

EZ 550 A / P: 24 V AC

Power consumption: 15W max (IR LED ON), 32 W max. with EIR 100

Power output: DC12V/ 1,5 A for external IR illuminator

Ambient temperature: -40°C ~ +50°C

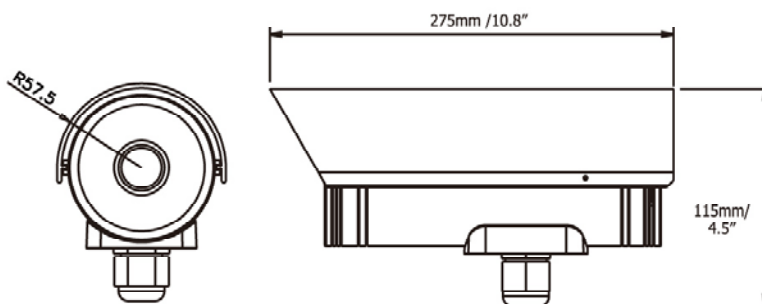
Humidity: 20~85%

Dimensions: 115 (H) x 275 (L) mm

Weight: 1,6 Kg

Features

- motorised DC varifocal lens 6-50 mm
- 42 high-power IR LED with 35° beaming angle
- solid outdoor housing with integrated cable management solution
- camera module with high resolution technology
- setup via OSD with mini joystick
- RS-485 interface for remote setup / control
- motion detection with 4 zones
- optional additional IR illuminator kit EIR 100



EZ550_db_en_rev01