

Video Security



P/T Systems | Mounts for P/T Head

WD-2N

Wall Bracket for Pan/Tilt Heads

VPT-40/41/42, RAL7032

Art-No. 73008



Features

For Wall Mounting
For Pan and Pan/Tilt Heads
Rugged Construction

Ready for Installation
Option: Swivel Head GK-2N

Specifications

Mounting distance from fixing point	345 mm
Load capacity	20 kg
Material	Steel
Colour	RAL 7032
Dimensions (HxWxD)	See drawing
Weight	2.3 kg

Accessories

73042 / CMA-1	Corner Mount Adapter for Wall Brackets WD-2N and VDW-1/WM, RAL7032
73136 / GK-2/N1	Swivel Head for WD-2N1, MK-1N1 and MK-21 RAL7032

Accessories of

73205 / VPT-40/24V	Pan/Tilt Head 24VAC RAL7032
73206 / VPT-40/230V	Pan/Tilt Head 230VAC RAL7032
73207 / VPT-40/24V-POT	Pan/Tilt Head with Potentiometer 24VAC RAL7032
73208 / VPT-40/230V-POT	Pan/Tilt Head with Potentiometer 230VAC, RAL7032
73223 / VPT-40/24VHZ	Pan/Tilt Head with Heater 24VAC RAL7032
73224 / VPT-40/230VHZ	Pan/Tilt Head with Heater 230VAC RAL7032
73219 / VPT-40/230VAP	Pan/Tilt Head with Autopan 230VAC, RAL7032

(Accessories of continued)

73259 / VPT-41RSVT-PO

Pan/Tilt Head with Receiver Board (RS) and Potentiometer, 24VAC, RAL7032

73564 / VPT-42RSVT-PO1

Pan/Tilt Head with Receiver Board RS-485 and Potentiometer, 24VAC, RAL7032

73728 / VPT-42RSP-PO

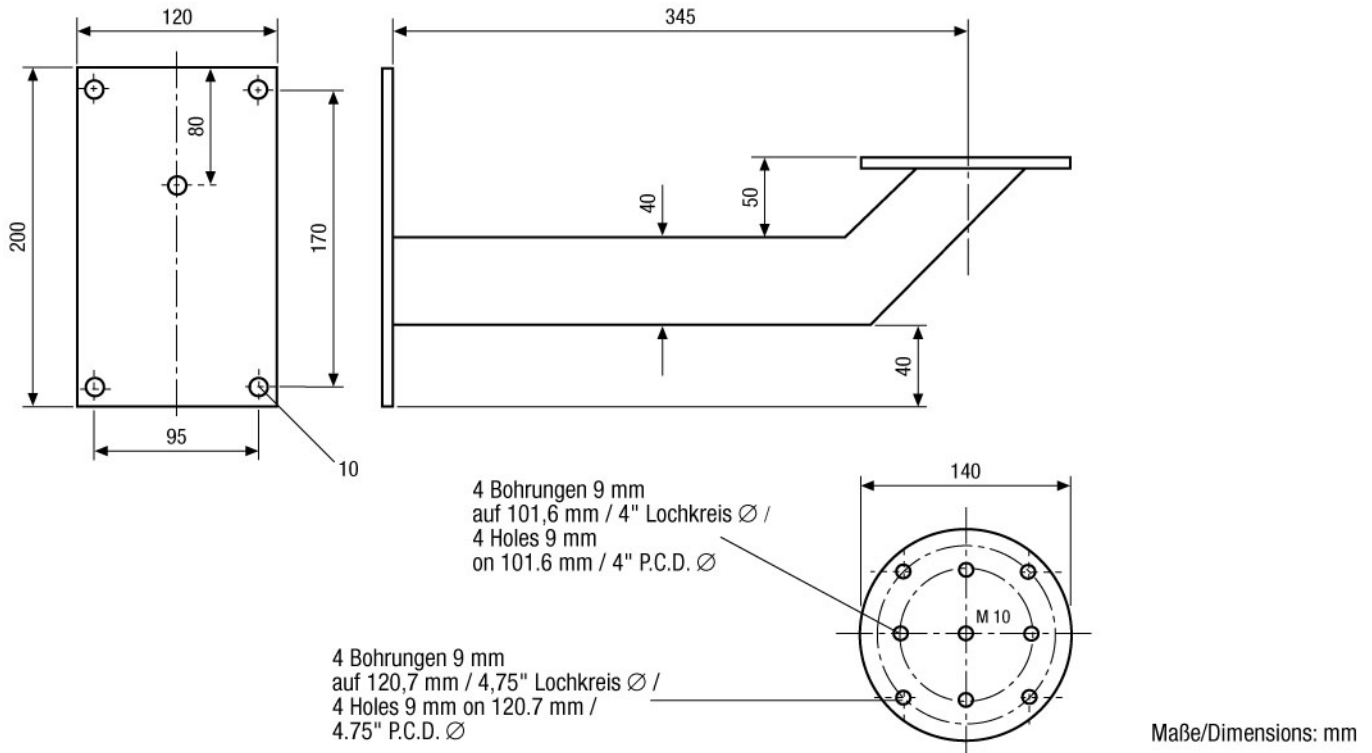
Pan/Tilt Head with Receiver Board RS-485 and Potentiometer, 24VAC, RAL7032

73729 / VPT-41RSP-PO

Pan/Tilt Head with Receiver Board RS-485 and Potentiometer, 24VAC, RAL7032

Product Information

When mounting the wall mount bracket, ensure that only dowels which are approved for this type of construction are used.



VIDEOR TECHNICAL E. Hartig GmbH
 Carl-Zeiss-Straße 8 · 63322 Rödermark · Germany
 Telefon +49 (0) 60 74/8 88-0 · Telefax +49 (0) 60 74/8 88-100
 info@videortechnical.com · www.videortechnical.com