

Video Security

P/T Systems | eneo P/T Heads with Telemetry

VPT-601

Pan/Tilt Head, 360°, 100°/sec. max.,
RS-485, 115/230VAC

Art-No. 75303



The camera housing is not part of delivery

Features

Tragfähigkeit bis 12kg
Speed 100°/sec. max.
Rotation Range 360° (Continuous Rotation)
Backlash <0,2°
64 Presets
Autopan Function

RS-485 Serial Interface (Multiple Protocol)
Supply Voltage 115/230VAC 50/60Hz
Housing Finish RAL7032
Protection Rating IP66
Maintenance-free
Option: Thermostat Controlled Heater

Specifications

Load capacity	12kg, (load assembly in the horizontal and vertical center of gravity required)
Speed range at manual control	0 ~ 100° horizontal, 0 ~ 50° vertical. 0 to 100°/sec.: 0.22sec.
Preset speed	0 ~ 100° horizontal, 0 ~ 50° vertical. 180° positioning needs 2.5sec. (at max. speed)
Rotation range	continuous: 360°
Tilt range	+/-90°
Backlash	<0.2°
Autopan	yes
Pattern	no
Positioned freely	yes
Number of presets	64
Serial interfaces	RS-422, RS-485
Protocols	VT, Pelco D&P, Siemens, Philips, with selectable Baud rate. Other protocols: upon request

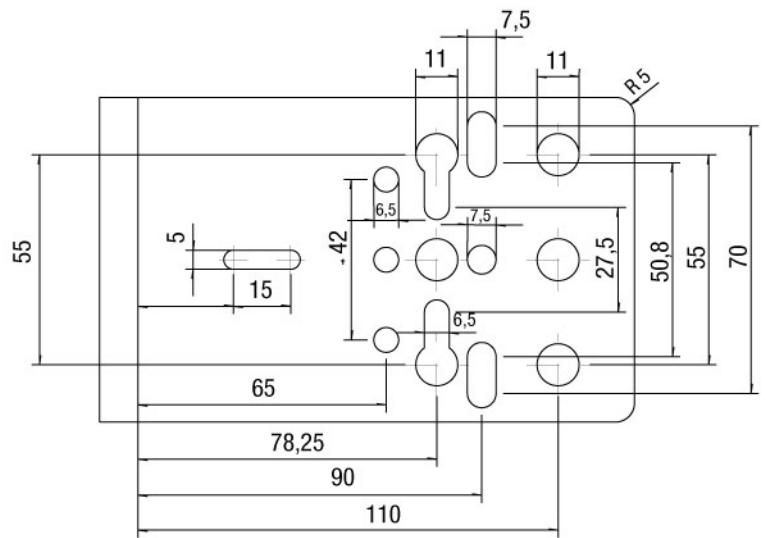
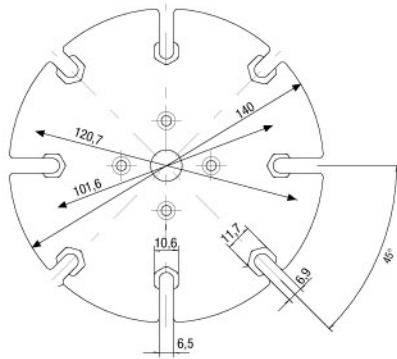
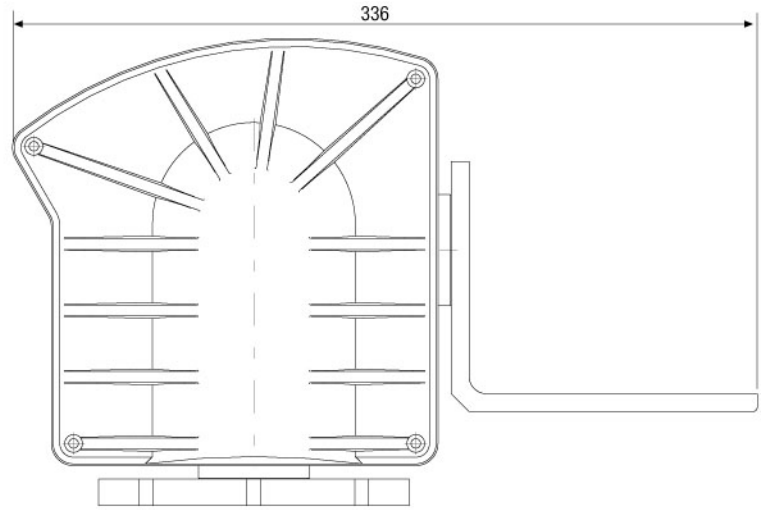
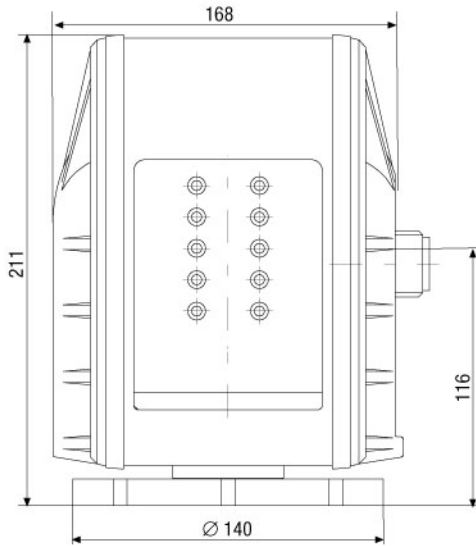
VPT-601

(Specifications continued)

Relay output	Aux 1~3 (open collector). Aux 1+2 control 2 Relais on R&D board. Usable for diagnose functions: Position feedback, endposition condition (active/inactive), Inside temperature, motor and camera supply voltage (42VDC, 12VDC)
Connectors	System cable: 230V, Video (Coax), Control (CAT5)
Plug connections	24pin
Supply voltage for lenses	4 ~ 11.5VDC
Camera voltage supply	12VDC, 24VAC; 1.0A
Supply voltage	24/115/230VAC
Power consumption	120W max. (incl. Camera and Heater)
Temperature range (Operation)	-20°C ~ +60°C
Temperature range with built-in heater	-40°C ~ +60°C
Heater	optional, 24 VAC/24 W
Mounting of illuminator possible	yes
Mounting	Upright or upside down
Protection rating	IP66
Housing material	aluminium
Housing	Aluminium frame with plastic covers
Colour (housing)	RAL7032
Colour	C-0 anodized / RAL7032
Weight	8.0kg
Parts supplied	Screw set, 24pin connector, Allen key (5mm), PC Setup and Control Software on CD ROM
Special features	No potentiometer for positioning feedback. Configuration made by PC Control Software (included). Absolute positioning

Accessories

73099 / WD-2N1	Wall Bracket for Pan/Tilt Heads VPT-40/41/42, RAL7032
73152 / WD-29	Wall Bracket for Pan/Tilt Heads VPT Series, RAL7032
73139 / MK-21	Pole Column Spacer for Pan/Tilt Heads, 200mm Height, RAL7032
77488 / VPT/IRB-4L	L-Bracket for VPT-40/41/42 RAL7032
77489 / VPT/IRB-4T	T-Bracket for VPT-40/41/42 RAL7032
70457 / AK-3	Camera Connection box, 230VAC Input 24VAC-100W, 12VDC-1A Output
70449 / NE-128	Voltage supply unit 230V/24VAC-5A, IP66
75207 / EKR-KB1	Universal Keyboard for Matrix Switchers EKR Series, Pantone Coolgray 1C
74089 / EDC-CR1	Converter RS-232/RS-485, Repeater RS-485
71003 / LINE DRIVER	Converter RS232C/RS485 + DB9/DB25 Gendor Adapter



Maße/Dimensions: mm

VIDEOR TECHNICAL E. Hartig GmbH
 Carl-Zeiss-Straße 8 · 63322 Rödermark · Germany
 Telefon +49 (0) 60 74/8 88-0 · Telefax +49 (0) 60 74/8 88-100
 info@videortechnical.com · www.videortechnical.com

