

Video Security



VKCD-145/VAR39

1/4" Colour Dome Camera, Drop Ceiling Mount, F1.2/3-9mm Lens, 12VDC,330TVL

Art-No. 91979



Features

For Drop Ceiling or Wall Mount
 Clear bubble with Inner Liner
 Resolution of 330 Horizontal Lines
 Sensitivity of 0.94Lux
 Built-in Lens F1.2/3-9mm with DC Iris Control
 Digital Signal Processing (DSP)

Automatic Shutter Control (AES)
 Automatic White Balance (ATW)
 Backlight Compensation (BLC)
 Easy Installation
 Supply Voltage: 12VDC

Specifications

Imager	1/4" Sony Super HAD Interline Transfer CCD
System	CCIR/PAL
Synchronization	Internal
Sensitivity at 50% video signal	0.7Lux at F1.2 (VT measurement result)
Horizontal resolution	330 TV lines
Automatic gain control (AGC)	28dB, ON/OFF switchable
Automatic shutter control (AES)	1/50 to 1/100,000Sec. (Automatic)
Lens	F1,2 ~ F360 / 3 ~ 9mm with galvanometer driven iris
Focus range	0.5m ~ ∞
Horizontal angle of view	66.2° ~ 23.9°
Horizontal turning range	110° (+/-55°)
Vertical tilt range	80° (10° ~ 90°, ceiling as reference)
External connections	Video (BNC), 12VDC (DC socket)
Video output	1Vp-p, CVBS, 75ohms
Supply voltage	12VDC (+20/-10%)
Power consumption	1.8watts max.
Temperature range	-10°C ~ +50°C
Housing	Plastic with clear bubble and black inner liner

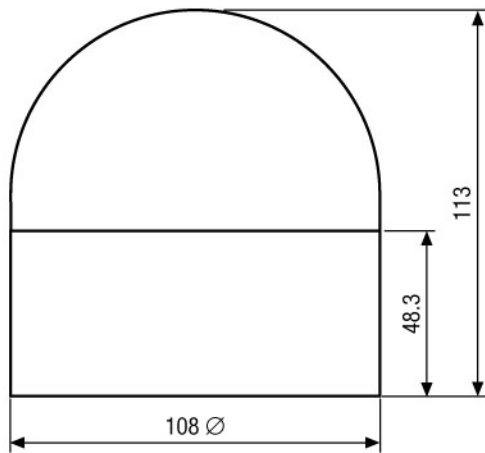
VKCD-145/VAR39

(Specifications continued)

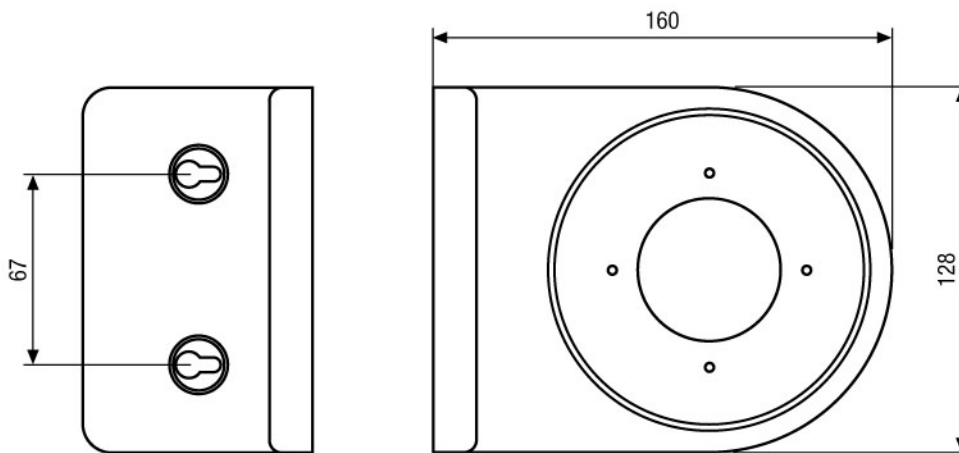
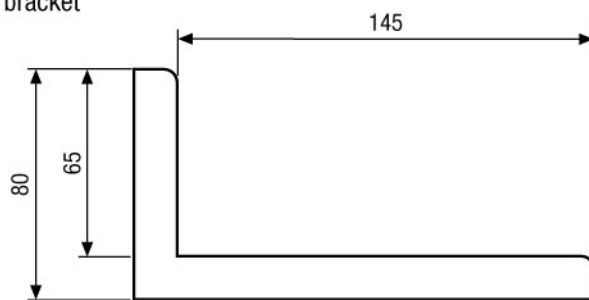
Mounting	For wall and drop ceiling mount
Housing color	Black
Dimensions (HxWxD)	See drawing
Weight	Approx. 310g

Accessories

77779 / VT-PS12DC-UK	Power Supply Unit w. UK Mains plug-in, 100-240VAC/12VDC-1.0A, Regul., open Ends
91883 / VKCD/WMB-2	Wall Mount Bracket, Grey, for VKCD-136, VKCD-145, VKCD-146, VKCD-1310
70447 / VT-PS12DC-5	Plug-in Power Supply Unit 100-240VAC 12VDC (1.0Amp), Regulated, with DC Plug
77772 / VT-PS12DCDT	PSU 12VDC/0,5A, Regulated, Desktop Version, 1.8m Cable each w. open ends
92047 / VKCD/WMB-2SW	Wall Mount Bracket, Black, for VKCD-136, VKCD-145, VKCD-146, VKCD-1310



Wandhalterung / Wall bracket
VKCD-145/136-WM



Maße/Dimensions: mm