

VHM/ZLKCB

Home | Security | Housings | for Boxed Cameras

VHM/ZLKCB

Weatherproof Housing (330), 24V Heater, KV-1,

Internal Pre-wiring, RAL7032

Art-Nr. 79619



Main Features

Camera Weatherproof Housing 330mm w. Screen Heater
Fold-down Housing Body
4 Levels of Camera Height Adjustment
Insulated Camera Mounting
External 30-pin Plug Connector
Cable Connection with Metal Gland M25x1.5mm

Pre-wired for 24VAC Supply via VPT-41/VPT-42
With Screw Terminal Board VHM/KV1
Prepared for easy Camera and Lens Assembly
Viewing Screen with "Clear-Shield" Technology
Housing Surface: RAL7032
Option: P/T Head Connection Cables

Specifications

Series	eneo VHM
Maximum installation length	330
Window screen	Coated with "Clear Shield" Technology. With this technology the glass corrosion, caused by environmental pollution, is avoided and screen cleaning cycles will be extended. The coating is UV light resistant, colour neutral and it causes no F-stop loss.
Clear Shield	yes
Window heater	yes, 24V (12V), 6watts
Thermostat	On: +16°C, Off: +20°C
Blower	no
Wiper	no
Supply voltage	12~24V
Sunshield	yes
Hidden cable management	no

VHM/ZLKCB

(Continuation Specifications)

Cable entry	Metal gland M25x1.5mm (for cable diameter 9~17mm)
Cable connection	30-pin central plug
Integrated wall mount	no
Protection rating	IP66
Housing	Outdoor
Housing material	Aluminium
Housing	Aluminium with plastic covers (ABS)
Colour (housing)	RAL7032
Dimensions (HxWxD)	See drawing
Weight	2.9kg
Parts supplied	Housing 330mm, Central plug with built-in 30-pin female connector, Screw set
Special feature	Pre-wired internally for easy 24VAC camera and zoomlens installation.

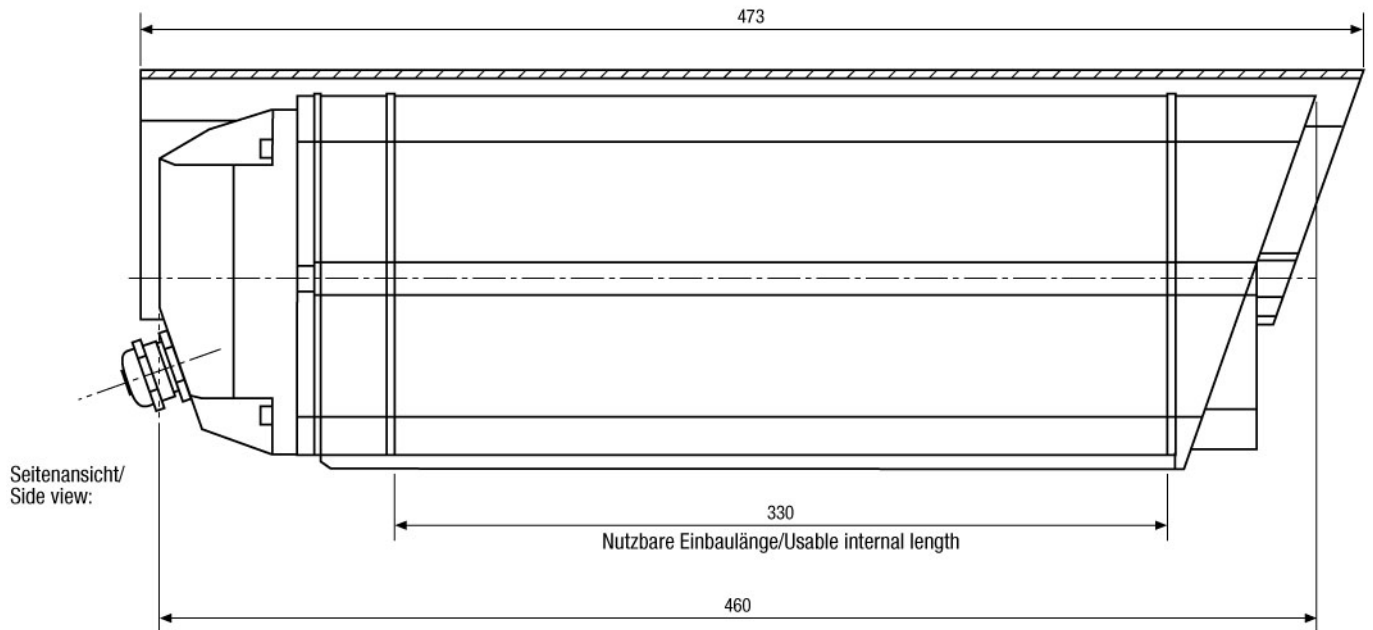
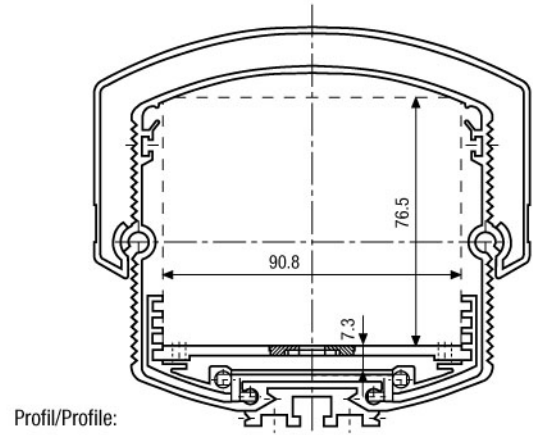
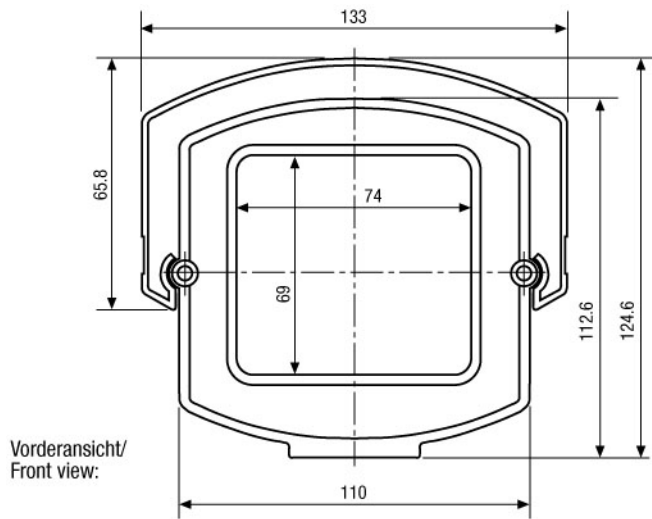
Optional accessories

70457	AK-3	Camera Connection box, 230VAC Input, 24VAC-3.2A, 12VDC-1A Outputs
73178	WD-16/MK-KG	Wall Mount with Swivel Head for VHM Weatherproof Housings, RAL7032
73064	WD-16/MK	Wall Mount with Swivel Head for VHM Weatherproof Housings, RAL7032

VHM/ZLKCB

Home | Security | Housings | for Boxed Cameras

Technical drawing



Maße/Dimensions: mm

VIDEOR E. Hartig GmbH, Carl-Zeiss-Straße 8, 63322 Rödermark, Germany -
www.videor.com

