



VHM/ECLKA-KIT1W

Article-No.: 79686

Weatherproof Housing (330mm),
Heater, Bracket, Cable Cover,
RAL9016/7035, 230V

Mainfeatures

Weatherproof housing incl. standard accessories
Fold-down housing body
Integrated connection board
Window glass with "Clear-Shield" technology
Protection rating: IP66
Wall mount bracket WD-16/MK-W (supplied)

PTC window heater 100-265V included
4 levels of insulated camera height adjustment
3 cable entries M16x1.5mm
Incorporated carrier handle
Hidden cable harness through:
Cable cover device VHM/PC-1 (supplied)





Specifications

Series	eneo VHM
Maximum installation length	330
Space for power supply	NE-112 (12VDC or 24VAC): 85mm; NE-112/2 (12VDC/24VAC): 110mm
Cable entries	3x M16x1.5mm
Window screen	coated with "Clear Shield" technology, with this technology the glass corrosion, caused by environmental pollution, is avoided and screen cleaning cycles will be extended; the coating is UV light resistant, colour neutral and it causes no F-stop loss
Clear Shield	yes
Window heater	yes
Window heater	110~265VAC/9watts (PTC)
Thermostat	On: +16°C, Off: +20°C
Blower	no
Wiper	no
Supply voltage	100~240VAC

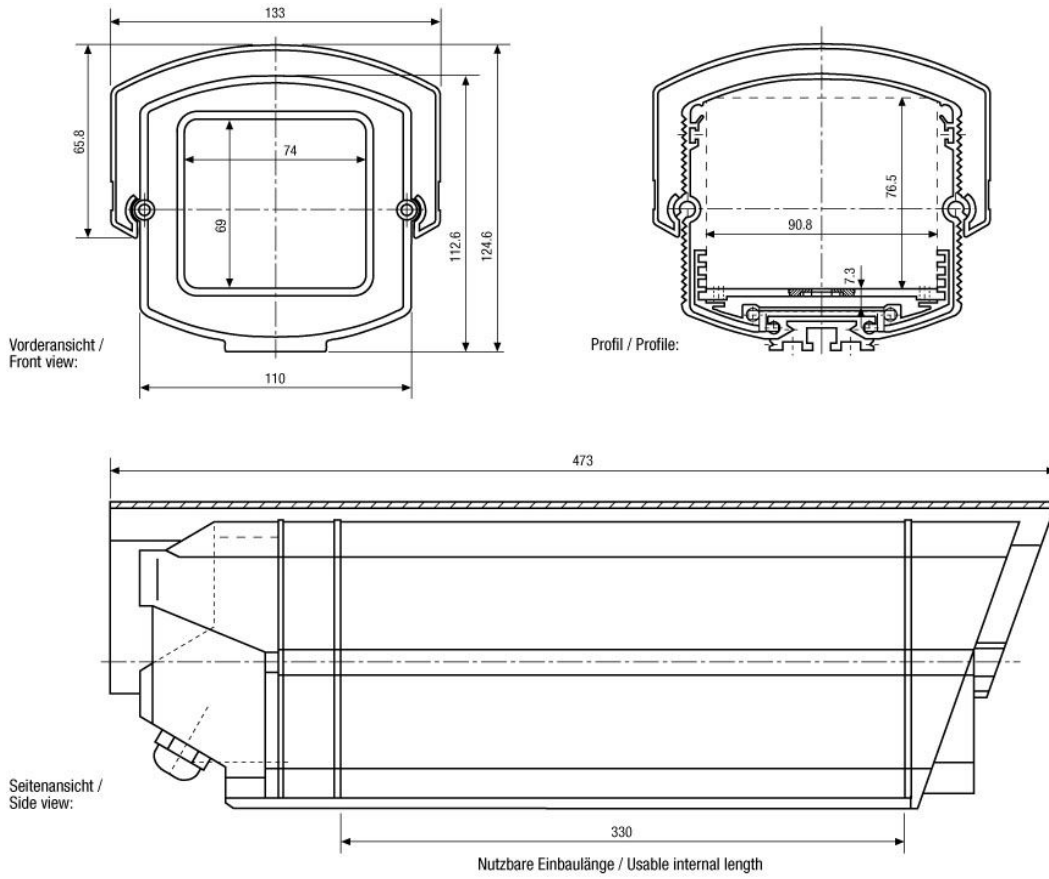
Specifications (continued)

Sunshield	yes
Sunshield	yes
Turning range of the swivel head	360°
Tilt range	approx. 50°
Hidden cable management	yes
Integrated wall mount	no
Protection rating	IP66
Housing	outdoor
Housing material	aluminium
Housing	aluminium with plastic covers (ABS)
Colour (housing)	RAL9016, RAL7035
Temperature range	-30 to +60°C
Dimensions (HxWxD)	see drawing
Weight	4.3kg
Parts supplied	Fixing screw set, Thermostat switch, Screw terminal, Wall mount bracket WD-16/MK, Plug-in shield VHM/PC-1
Certificates	CE

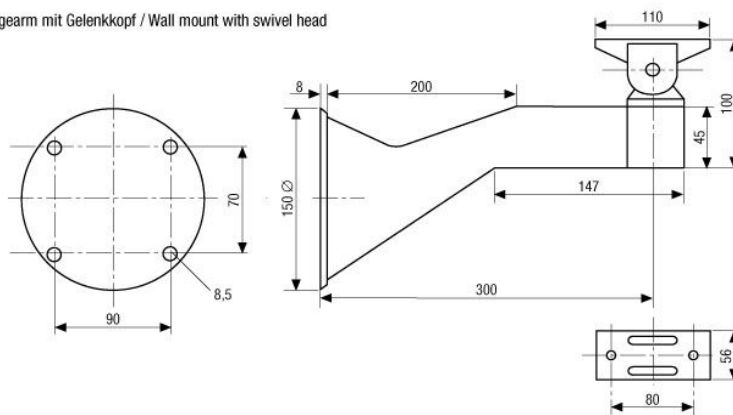
Optional Accessories

Image	Artikel-Nr. / Typ	Description
	NE-112/AC24V	Power Supply Unit 230VAC/24VAC (600mA) for VHM Housing
	NE-112/2	Power Supply Unit 230VAC/12VDC (600mA), Regulated, 24VAC (1000mA) f. VHM Housing
	NE-112	Power Supply Unit 230VAC/12VDC (600mA) for VHM Housing, Regulated
	AK-3	Camera Connection box, 230VAC Input, 24VAC-3.2A, 12VDC-1A Outputs

Technical Drawing



WD-16/MK
Wandmontagearm mit Gelenkkopf / Wall mount with swivel head



Maße/Dimensions: mm



Your partner for eneo products:

