

# Video Security

Network Cameras | eneo Network Cameras NT Series

## NTD-6101/18

1/4" Day&Night Network Dome Camera  
with 18x Zoom Lens, 12VDC, 480TVL

Art-No. 93151



## Features

1/4" Super HAD ExView CCD Sensor  
Zoom Lens: F1.4/4.1-73.8mm / 10x Digital Zoom  
Sensitivity of 0.5Lux at F1.2 (Colour)  
High and Low Speed Shutter Control (AES/MES/DSS)  
On-screen Menu Control / Camera Title Display  
80 Presets

MPEG-4 Compression  
Image Frame Rate: Up to 25 Fr./Sec. (720x576 Px.)  
Viewer for Monitoring, Recording and Configuration  
Pre and Post Event Recording (in Client PC)  
Integrated Web Server: 10Base-T/100Base-TX  
E-mail Notification in Case of an Alarm

## Specifications

System	day&night
Video standard	CCIR/PAL
Sensor size	1/4"
Imager	CCD
Synchronization	Internal
Genlock synchronization	No
Signal-to-noise ratio	50dB
Digital signal processing (DSP)	DSP-3R
Sensitivity (at 50% video signal)	0,5Lux, at F1.2, 0.7Lux at F1.4, 0.05Lux at 1/3sec. shutter speed, 0.01Lux at 1/3sek. shutter speed and IRCF Off
Automatic gain control (AGC)	Automatic (On/Off switchable)
Shutter modes	High and Low Speed shutter
Shutter speed (AES/MES)	Automatic/manual: 1 ~ 1/10,000sec. (PAL)
Integration rate	yes
Low speed shutter (DSS)	Included
White balance	Modes: Manual, Automatic, Indoor, Outdoor, ATW
Backlight compensation	BLC

(Specifications continued)

<b>IR cut filter</b>	yes, Motorized, switchable filter. Automatic function depend on the amount of light. In removed filter position, the colour signal, will be switched OFF
<b>In/outdoor use</b>	Indoor/outdoor camera preferences
<b>Zones</b>	16 each with programmable text labels
<b>Privacy Zone masking</b>	8 maskable zones
<b>Activity detection</b>	yes
<b>Text display</b>	16 character labels
<b>Menu driven set-up</b>	On/Off switchable
<b>Menu languages</b>	English
<b>Picture adjustments</b>	Color, Brightness, Contrast (via Network)
<b>Video outputs (type)</b>	CVBS, VBS
<b>Video outputs</b>	1Vp-p, (C)VBS, 75ohms, BNC
<b>Audio support</b>	yes
<b>Audio</b>	not in conjunction with connection cable NTD-OPX/IPX-CC1, Article no. 74144
<b>Alarm inputs</b>	yes, 2, selectable between NO and NC
<b>Alarm outputs</b>	1
<b>Alarm processing</b>	Built-in Motion Detection, Adjustable sensitivity and dwell time, E-Mail function
<b>Internal storage</b>	no
<b>System requirements</b>	Windows 2000/XP, Intel Pentium IV 2GHz or higher, 512MB RAM or higher, Hard disk 80GB min., depend on recording demand
<b>Compression standard</b>	MPEG4, part 2 (ISO/IEC 14496-2), Profile: SP and ASP
<b>Audio standards</b>	PCM 16/8 Bit (Full duplex)
<b>Resolution max.</b>	720 x 576
<b>Resolution</b>	Network: 720x576 (D1), 640x480, 320x240, 160x120 Px.
<b>Maximum image transmission rate</b>	50HB/Sek.
<b>Frame rate</b>	25 Frps. at 720x576 Px. (PAL)
<b>Ethernet interface</b>	10Base-T, 100Base-TX, RJ-45
<b>Web browser</b>	MS Internet Explorer Vers. 6.0
<b>Network protocols</b>	TCP/IP, DHCP, HTTP, DNS, UDP, RTP, RTSP, SMTP
<b>Bandwidth</b>	Adjustable
<b>Lens type</b>	zoom
<b>Lens</b>	F1.4 ~ F75/4.1 ~ 73.8mm (18x optical, 12x digital zoom)
<b>Lens mount</b>	integrated lens
<b>Application range</b>	day/night
<b>Nominal format size</b>	1/4"
<b>Aspherical technology</b>	yes
<b>Mount</b>	n/a
<b>Focal length</b>	4,1-73,8mm
<b>Digital Zoom</b>	12x
<b>Horizontal angle of view</b>	48-2,8°
<b>Iris control</b>	auto iris, Automatic (with manual override)

(Specifications continued)

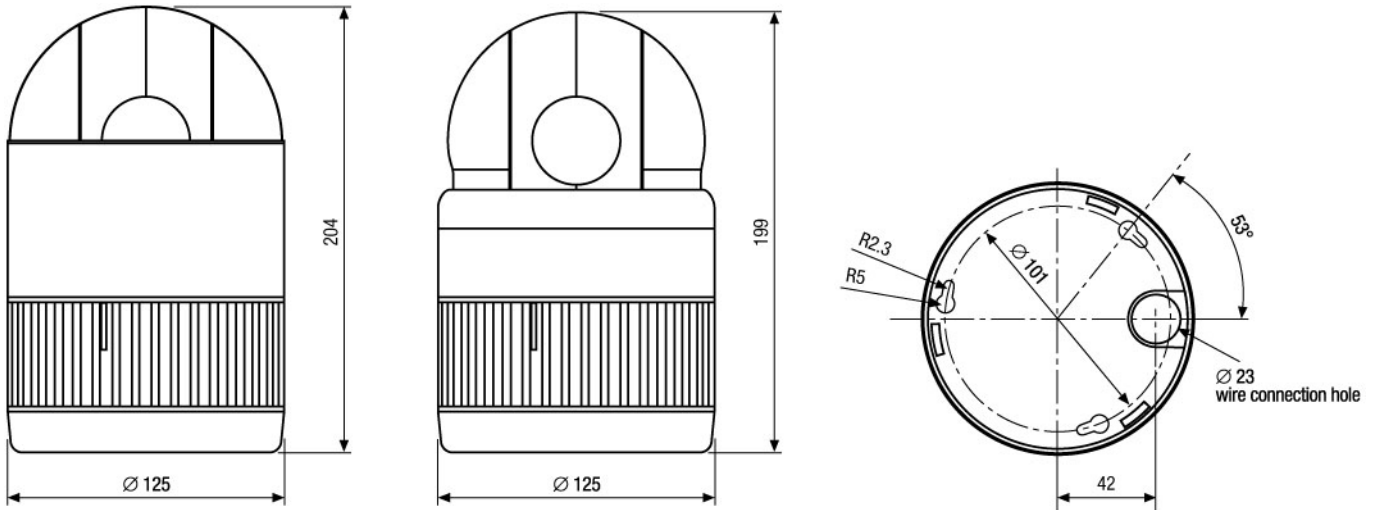
<b>Focus control</b>	Automatic with manual override
<b>Minimum object distance (MOD)</b>	0.3m
<b>Pre-alarm recording</b>	180sec. max.
<b>Post-alarm recording</b>	180sec. max.
<b>Search function</b>	Alarm/Event/Time searching
<b>Serial interfaces</b>	RS-485 Fastrax E Protocol, RS-485
<b>Software upgrade</b>	via Network Interface, incl. Viewer setup
<b>Password protection</b>	yes
<b>PTZ Support</b>	no
<b>Speed range at manual control (pan)</b>	0.5° ~ 90°/sec., Turbo: 380°/sec. (Proportional to the zoom position)
<b>Speed range at manual control (tilt)</b>	0.5° ~ 90°/sec. (Proportional to the zoom position)
<b>Rotation range</b>	continuous: 360°
<b>Vertical tilt range</b>	-10° ~ +90°
<b>Auto flip function</b>	Rotates dome 180° at bottom of tilt travel
<b>Backlash</b>	0.2°
<b>Proportional pan and tilt</b>	Continually decreases pan and tilt speeds in proportion to depth of zoom
<b>Patterns</b>	4 patterns: 1x up to 240sec., or 3x up to 240sec. in total
<b>Preset positioning</b>	80 presets with 16-character labels each. 0.75sec. max. preset recall time
<b>Programmable park position</b>	Included
<b>Tours</b>	Up to 8 User programmable guard tours with vector scan. Consisting of 42 presets and other functions with individual dwell time (3 to 99sec.). Selectable fast or slow vector scan
<b>Autoscan</b>	1x Autopan, 8x Autoscan
<b>Protection rating</b>	IP40
<b>Supply voltage</b>	12VDC
<b>Power over Ethernet</b>	no
<b>Power consumption</b>	12watts max.
<b>19" Rack mountable</b>	no
<b>Temperature range (Operation)</b>	0 ~ +50°C
<b>Housing</b>	Black plastic for indoor drop-ceiling mount up to 0°C
<b>Dimensions (HxWxD)</b>	see drawing
<b>Weight</b>	1.25kg
<b>Parts supplied</b>	Power supply unit 230V/12VDC, RS-485 & Alarm connection cable, Viewer Software, Configuration and client CD-R

## Accessories

<b>74057 / EDC-IDF</b>	Flush Mount Dome Housing, Smoked Bubble 4.9"
<b>74139 / EDC-IDFHCB</b>	Flush Mount Dome Closed Housing, Black Trimring, Clear Bubble 6.8"
<b>74130 / EDC-OPC-2/24V</b>	Pendant Mount Outdoor Dome Housing, Sun Shield, Clear Bubble 6.5", 24VAC

(Accessories continued)

74134 / EDC-IPS-2/24V	Pendant Mount Indoor Dome Housing with Tinted Bubble 6.5", 24VAC
74135 / EDC-IPC-2/24V	Pendant Mount Indoor Dome Housing with Clear Bubble 6.5", 24VAC
74136 / EDC-OPS-2/24V	Pendant Mount Outdoor Dome Housing with Sunshield, Tinted Bubble 6.5", 24VAC
74144 / NTD-OPX/IPX-CC1	Connection cable for NTD-6101/xx Network Domes in In/Outdoor Housing



Maße/Dimensions: mm

VIDEOR TECHNICAL E. Hartig GmbH  
 Carl-Zeiss-Straße 8 · 63322 Rödermark · Germany  
 Telefon +49 (0) 60 74/8 88-0 · Telefax +49 (0) 60 74/8 88-100  
 info@videortechnical.com · www.videortechnical.com

