

MCB-72M2713M0A

SKU: 218307



1/2.8" HD Camera, Day&Night, 1920x1080, Infrared, WDR, 2.7-13,5mm, 12/24V, IP67

Main Features

1/2.8" 2 megapixel SONY STARVIS CMOS sensor
Resolution max. 1920x1080 (Full HD)
Integrated connection box with circuit board
Simple and tidy wiring
Separate outputs for digital and multi-signal
Multisignal: HD-TVI, AHD, CVI and Composite selectable

Digital signal: EX-SDI, HD-SDI selectable
Motorized lens 2.7 ~ 13,5mm
Removable infrared cut filter
ROI (Region of Interest) WDR mode
Integrated motion detector, defog, privacy zones
IP67, built heater

Specifications

| General: | |
|-----------------------|--|
| Dimensions (HxWxD) | 130,5x107,8x301mm |
| Illumination | 5x High Power LED 850nm, Infrared |
| Integrated wall mount | yes |
| Sunshield | yes |
| Text display | supplied |
| Series | eneo Candid Medium, eneo COAXIZE, eneo KX-Series |
| Housing | Outdoor |
| Color (housing) | Pantone Cool Gray 1C |
| Housing material | Aluminium |

MCB-72M2713M0A

Continuation of the specifications

| | |
|------------------------------------|--|
| Heater | yes |
| Mounting | Ceiling mount, Wall mount |
| Supply voltage | 12VDC, 24VAC |
| Power consumption | 10.5W |
| Vandal proof | no |
| Operating temperature | -30°C ~ +50°C |
| Protection rating | IP67 |
| Illumination range | approx. 60m |
| Weight | 1.6kg |
| DORI: | |
| Observe (62 px/m) | 17 - 80 m |
| Recognize (125 px/m) | 8 - 39 m |
| Identify (250 px/m) | 3,9 - 19 m |
| Detect (25px/m) | 45 - 190 m |
| Functions: | |
| Motion detector | yes |
| OSD function control | OSD camera setup |
| Menu languages | German,English,Chinese,Japanese,Korean |
| Mirror function | mirror,V flip |
| Privacy zone masking | Areas-ON/OFF switchable |
| Digital Noise Reduction | yes |
| Analysis functions | Defog |
| Camera: | |
| Imager | Sony STARVIS, Sensor IMX291, CMOS |
| Automatic electronic shutter (ESC) | 1/25 ~ 1/30.000sec. |
| Flickerless function | yes |
| Backlight compensation | BLC,HLC |
| Low speed shutter | yes |
| Manual electronic shutter (MES) | 1/25 ~ 1/30.000sec |
| Signal-to-noise ratio | 50dB |
| Day&Night mode | Automatic,Day,Night |
| White balance | Automatic, Preset, Manual |
| Wide Dynamic Range (WDR) | Real Time WDR 25/30fps,WDR 113dB |
| System | True Day&Night |
| Sensor size | 1/2.8" |
| Day&Night switch | ICR |
| Sensitivity | 0,08 Lux at F1,4, 40 IRE |
| Camera type | Bullet |
| Parts supplied: | |
| Parts supplied | manual,drilling template,bag of screws |
| Lens: | |
| Lens Type | Varifocal (motorized) |

MCB-72M2713M0A

Continuation of the specifications

| | |
|-------------------------------|--|
| Focal Length | 2,7 - 13,5 mm |
| Iris Control | DC |
| Zoom Factor | 4x |
| Digital Zoom | no |
| MOD (Minimum Object Distance) | 0,5 m |
| Aperture range (F) | F1.4 |
| Interfaces / Inputs/ Outputs: | |
| External connectors | voltage input, 1x SDI Signal (BNC), 1x HD/SD Analog Signal (BNC), connection cable approx. 100cm |
| Serial interfaces protocols | UTC (HD-Signal Format) |
| Video outputs | AHD, Composite (CVBS), CVI, EX-SDI, HD-SDI, HD-TVI |
| Alarm inputs | nein |
| Alarm outputs | no |
| Serial interfaces | Coaxitron (HD Protocol) |
| Video: | |
| Synchronization | internal |
| Signal format | AHD @ 2MP, Composite (FBAS), CVI @ 2MP, EX-SDI (270 Mbps), HD-SDI (1.485 Gbps), HD-TVI @ 2MP |
| Frame rate | 25/30fps @ 1920x1080p, 50/60fps @ 1280x720p |
| Other | |
| Remarks | NDAA compliance under Section 889 |
| Video standard | PAL/NTSC |
| Resolution Pixels | 1280x720, 1920x1080, 720x576 |
| Horizontal Angle of View | 97 - 29° |
| Vertical Angle of View | 54 - 17° |
| Manufacturer order number | 218307 |

Optional Accessory

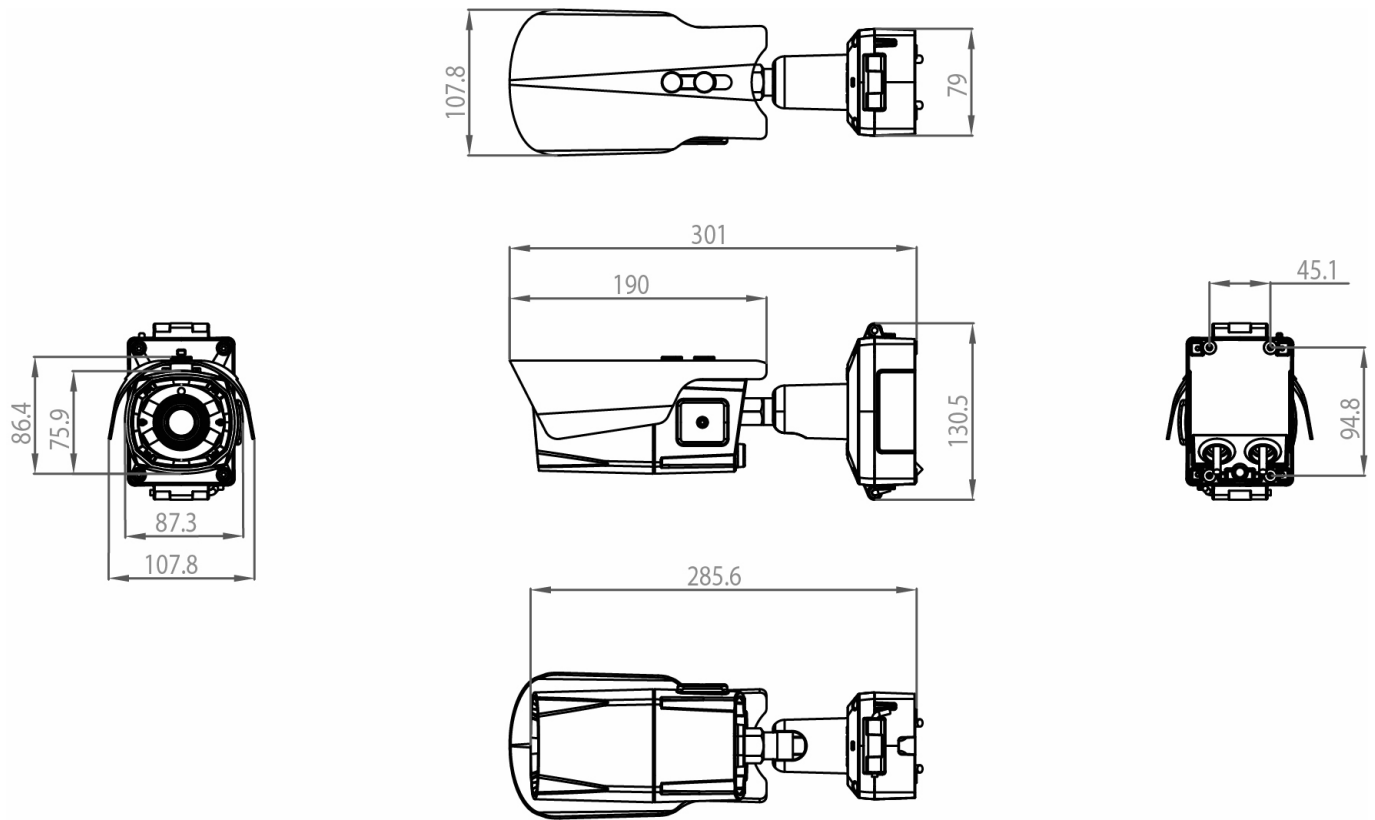
| SKU | Name | Description |
|--------|----------------|--|
| 225085 | MAM-5DC1004M0A | Distributor, 1x BNC Input HD-TVI, CVI, AHD, CVBS, 4x BNC Output |
| 220299 | MAM-5MM1001M0A | Converter, HD-CVI, HD-TVI, AHD, Composite to HDMI, VGA, Composite, Indoor |
| 236125 | MAM-5MM2203M0A | Converter, 4K HD-TVI, HD-CVI, AHD, auf HDMI, Indoor 12VDC |
| 202641 | PM-42A | Pole mount adaptor for eneo Candid, Candid S, Candid M, WB1, AK-5, AK-4 |
| 218653 | PS12DC-11 | Plug-in Power Supply Unit, 100-240VAC/12VDC (1,0A), regulated, with DC Plug |
| 212984 | TVA-1201TRA | UTP Transmitter+Receiver, UTP, BNC, 250m, Indoor, HD TVI CVI, AHD, CVBS, Active, 12V |

MCB-72M2713M0A

Continuation of accessory

| | | |
|--------|-------------|--|
| 212985 | TVA-1201TRP | UTP Transmitter+Receiver, UTP, BNC, 150m, Indoor, HD TVI CVI, AHD, CVBS, Passive |
|--------|-------------|--|

Technical Drawing



Maße / Dimensions: mm



eneo is a registered trademark of
VIDEOR E. Hartig GmbH
Carl-Zeiss-Straße 8

63322 Rödermark, Deutschland

Phone: +49 6074 - 888 - 300
Fax: +49 6074 - 888 - 100
E-Mail: info@eneo-security.com
Web: www.eneo-security.com

Stay informed and subscribe
to the eneo newsletter

