

# MCB-68M2713M0A

SKU: 226888



1/2,8" HD Camera, Day&Night 3840x2160, Infrared, WDR, 2,7-13,5mm, 12/24V, IP67

## Main Features

1/2.8" 8.64 Megapixel SONY STARVIS CMOS-Sensor  
Resolution max. 3840x2160@15/12,5fps  
Motorised varifocal lens 2,7~13,5mm  
Separate outputs for digital and multi-signal  
Multisignal: HD-TVI, AHD selectable, Composite SUB  
Digital signal: EX-SDI, HD-SDI selectable

DOL-WDR by triple scan images at 30/25fps & ROI (Region of Interest) WDR mode  
DIS (Digital Image Stabilization) function  
Integrated connection box with circuit board  
Simple and tidy wiring  
IR Illumination (4 x SMD High Power LED's)

## Specifications

General:	
Dimensions (HxWxD)	130,50x82,15x265,80mm
Illumination	4x High Power LED 850nm, Infrared
Integrated wall mount	yes
Sunshield	yes
Text display	ON/OFF switchable
Series	eneo Candid Small, eneo COAXIZE, eneo KX-Series
Housing	Outdoor
Color (housing)	Pantone Cool Gray 1C
Housing material	Aluminium
Mounting	Ceiling mount, Wall mount

# MCB-68M2713M0A

## Continuation of the specifications

Supply voltage	12VDC, 24VAC
Power consumption	11.5W
Vandal proof	no
Operating temperature	-50°C ~ +50°C
Protection rating	IP67
Illumination range	approx. 40m
Weight	1.25kg
DORI:	
Observe (62 px/m)	8,3 - 19,2 m
Recognize (125 px/m)	16,8 - 39,7 m
Identify (250 px/m)	8,3 - 19,2 m
Detect (25px/m)	84,2 - 198 m
Functions:	
Motion detector	yes
OSD function control	OSD camera setup
Menu languages	English, German, Japanese, Chinese, Korean
Mirror function	mirror, H-flip
Privacy zone masking	Areas-ON/OFF switchable
Digital Noise Reduction	yes
Analysis functions	Defog, Digital image stabilization
Camera:	
Imager	Sony STARVIS, Sensor IMX415, CMOS
Automatic electronic shutter (ESC)	1/25 ~ 1/25.600sec.
Flickerless function	yes
Backlight compensation	BLC, HLC
Low speed shutter	yes
Manual electronic shutter (MES)	1/25 ~ 1/25.600sec.
Signal-to-noise ratio	50dB
Day&Night mode	Automatic, Day, Night, extern (built in Sensor), night-color mode
White balance	Automatic, AUTOext, Preset, Manual
Wide Dynamic Range (WDR)	D-WDR
System	True Day&Night
Sensor size	1/2.8"
Day&Night switch	ICR
Sensitivity	0,06 Lux at F1,6, 40 IRE
Camera type	Bullet
Parts supplied:	
Parts supplied	manual, Video sub-out cable, drilling template, bag of screws
Lens:	
Lens Type	Varifocal (motorized)
Focal Length	2,7 - 13,5 mm

# MCB-68M2713M0A

## Continuation of the specifications

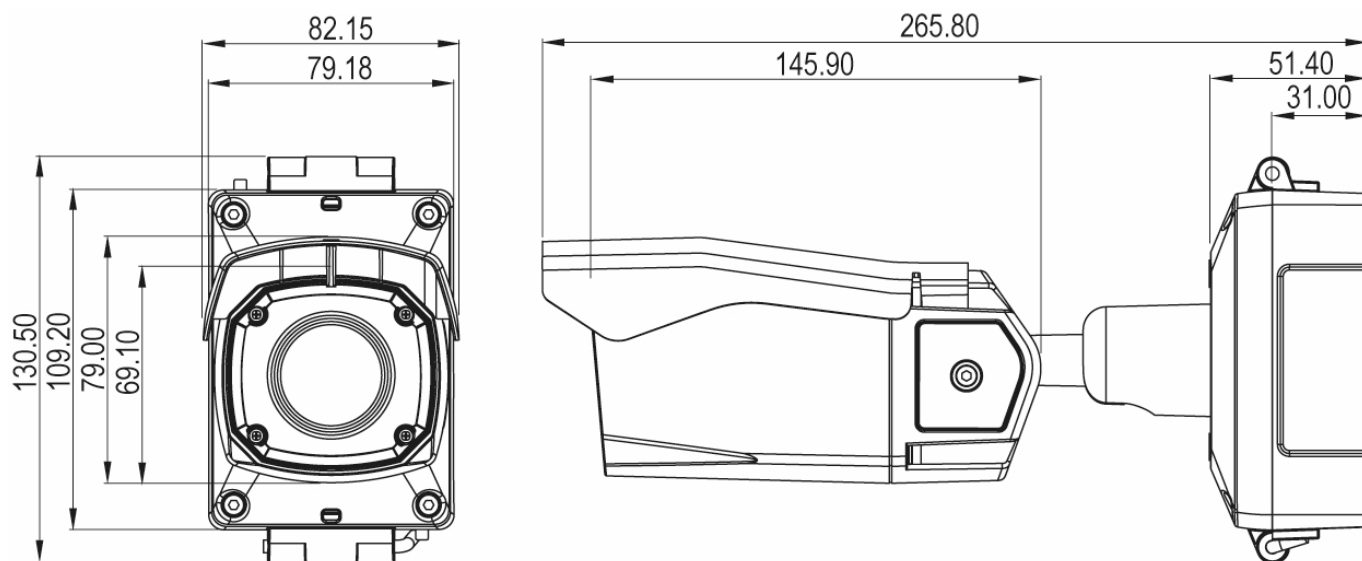
Iris Control	DC
Zoom Factor	5x
Digital Zoom	yes
MOD (Minimum Object Distance)	0,5 m
Aperture range (F)	F1.6
Interfaces / Inputs/ Outputs:	
External connectors	voltage input,video (BNC)
Serial interfaces protocols	UTC (HD-Signal Format)
Video outputs	AHD, Composite (CVBS), composite (CVBS) SUB, CVI, EX-SDI, HD-SDI, HD-TVI
Alarm inputs	nein
Alarm outputs	no
Serial interfaces	Coaxitron (HD Protocol)
Video:	
Synchronization	internal
Signal format	AHD @ 8MP, Composite (FBAS), CVI @ 8MP, EX-SDI @ 8MP, HD-SDI (1.485 Gbps), HD-TVI @ 8MP
Frame rate	12,5/15fps @ 3640x2160p, 25/30fps @ 1920x1080p, 25/30fps @ 2560x1440p
Other	
Remarks	NDAA compliance under Section 889
Special features	Integrated connection box
Video standard	PAL/NTSC
Resolution Pixels	1920x1080, 2560x1440, 3840x2160
Horizontal Angle of View	105 - 45°
Vertical Angle of View	59 - 25°
Manufacturer order number	226888

## Optional Accessory

SKU	Name	Description
225085	MAM-5DC1004M0A	Distributor, 1x BNC Input HD-TVI, CVI, AHD, CVBS, 4x BNC Output
236125	MAM-5MM2203M0A	Converter, 4K HD-TVI, HD-CVI, AHD, auf HDMI, Indoor 12VDC
202641	PM-42A	Pole mount adaptor for eneo Candid, Candid S, Candid M, WB1, AK-5, AK-4
218653	PS12DC-11	Plug-in Power Supply Unit, 100-240VAC/12VDC (1,0A), regulated, with DC Plug

# MCB-68M2713M0A

## Technical Drawing



Maße/Dimensions: mm



eneo is a registered trademark of  
VIDEOR E. Hartig GmbH  
Carl-Zeiss-Straße 8

63322 Rödermark, Deutschland

Phone: +49 6074 - 888 - 300  
Fax: +49 6074 - 888 - 100  
E-Mail: [info@eneo-security.com](mailto:info@eneo-security.com)  
Web: [www.eneo-security.com](http://www.eneo-security.com)

Stay informed and subscribe  
to the eneo newsletter

