

ISM-78F0021W0A

SKU: 227047



1/2.8" Network Module Camera, 3840x2160, Day&Night, WDR, 2.1mm, H.265, PoE, 12VDC

Main Features

1/2.8" Sony STARVIS CMOS Sensor

Excellent light sensitivity

Resolution max. 3840x2160 (4K)

Lens fixed focal length 2.1mm

DOL-WDR (120dB) by triple scan images at 30/25fps

Motion Detection, Privacy Zones, Slow Shutter

Browser independent (IE, Edge, Safari, Firefox, Chrome)

Smart Codec H.265 ROI (Region of Interest)

Supports ONVIF Profile S and Profile T

Operating temperature -20°C ~ +50°C

Dimensions 50x50x64mm

Power supply PoE or 12VDC

Specifications

General:	
Dimensions (HxWxD)	63x50x50mm
Illumination	no
Supply voltage	12VDC, PoE, 12VDC, PoE
Text display	supplied
Series	eneo AN-Series
Camera Type	Board Camera
Housing	without housing
Heater	no
Blower	yes
Mounting	Einbaumodul

ISM-78F0021W0A

Continuation of the specifications

Power consumption	7W
Power over Ethernet	IEEE 802.3af
Operating temperature	-20°C ~ +50°C
ONVIF	ONVIF Profile S, ONVIF Profile T
Weight	112g
DORI:	
Observe (62 px/m)	28,5 m
Recognize (125 px/m)	13,3 m
Identify (250 px/m)	5,2 m
Detect (25px/m)	74,2 m
Functions:	
Alarm processing	E-Mail,HTTP,FTP,Boost,TCP,UDP,Onvif Event Mapping
User interface	Type A (orange / grey)
Motion detector	yes
Digital noise reduction (DNR)	yes
e-PTZ support	yes
Menu languages	English,German,French,Korean
Mirror function	mirror,flip
Multicast compliant	yes
Password protection	administrator & users
Privacy zone masking	Areas-ON/OFF switchable
Web browser	MS internet Explorer: ActiveX ex 9.0,Safari: MJPEG,Mozilla: MJPEG,Google Chrome: MJPEG,Edge: MJPEG
Audio support	no
Internal storage	no
Analysis functions	Motion detection, Tampering Detection (TD)
Remote configuration	Browser
Notes:	
Remarks	NDAA compliance under Section 889
Camera:	
Imager	Sony STARVIS,Sensor IMX415,CMOS, CMOS
Automatic electronic shutter (ESC)	1/25 ~ 1/25.000sec
Flickerless function	yes
Backlight compensation	BLC,HLC
Low speed shutter	1x~10x,yes
Manual electronic shutter (MES)	1/25 ~ 1/25.000sec
Signal-to-noise ratio	50dB
Day&Night mode	Automatic,Day,Night,extern (Sensor)
White balance	Automatic,Outdoor,Light bulb,Fluorescent light,Clear Sky,Shade,Manual
Wide Dynamic Range (WDR)	D-WDR, D-WDR, DOL-WDR 120dB

ISM-78F0021W0A

Continuation of the specifications

Resolution Standard	8 Megapixel
System	True Day&Night
Sensor size	1/2.8"
Day&Night switch	ICR
Sensitivity	0,03 Lux at F2,0, 40 IRE
Camera type	Platine
Parts supplied:	
Parts supplied	manual
Network:	
Network protocols	TCP/IP,UDP,IPv4,IPv6,HTTP,HTTPS,FTP,UPnP,RT P,RTSP,RTCP,DHCP,ARP,Zeroconf,Bonjour,SNMP
Lens:	
Lens Type	fixed focal length
Focal Length	2,1 mm
Digital Zoom	yes
MOD (Minimum Object Distance)	0,5 m
Interfaces / Inputs/ Outputs:	
External connectors	RJ-45,12VDC input (DC plug),connection cable approx.40cm
Alarm inputs	no
Alarm outputs	no
Ethernet interface	100Base-TX, 10Base-T
Serial interfaces	Ethernet
Video:	
Resolution	3840x2160 (16:9),3072x1728 (16:9),2560x1440 (16:9),1920x1080 (16:9),1600x900 (16:9),1280x720 (16:9)
Stream types	Multi Streaming
Video compression	H.264, H.264+ (Smart Stream), H.265, H.265+ (Smart Stream)
Image resolution max.	3840x2160
Image Transmission Rate	30 fps
Other	
Low Speed Shutter	yes
Digital Noise Reduction	yes
Backlight Compensation	BLC, HLC
Motion Detector	yes
Objektiv Typ	fixed focal length
Horizontal Angle of View	109°
Vertical Angle of View	58°
Illumination	no
Manufacturer order number	227047

Optional Accessory

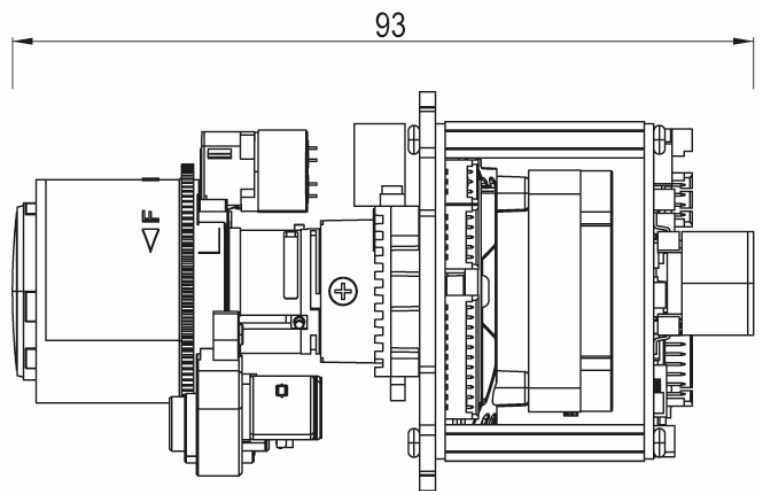
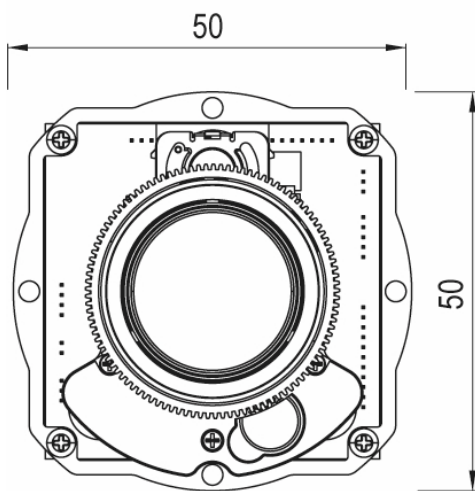
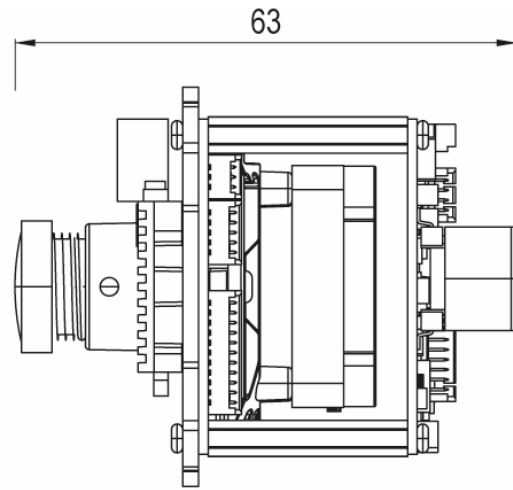
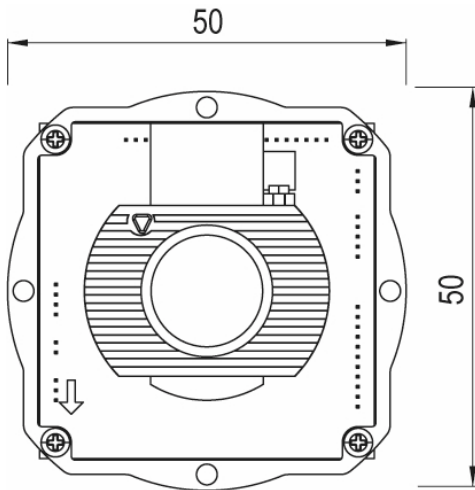
SKU	Name	Description
-----	------	-------------

ISM-78F0021W0A

Continuation of accessory

218218	eneo Site Manager	Management Software for eneo IP products
216472	IAD-5SG1008MUA	Gigabit Switch, Unmanaged, 120W, 8x PoE, 1xSFP, 1x RJ45, 10/100/1000 Mbps, Desktop

Technical Drawing



Maße / Dimensions: mm



eneo is a registered trademark of
VIDEOR E. Hartig GmbH
Carl-Zeiss-Straße 8

63322 Rödermark, Deutschland

Phone: +49 6074 - 888 - 300
Fax: +49 6074 - 888 - 100
E-Mail: info@eneo-security.com
Web: www.eneo-security.com

Stay informed and subscribe
to the eneo newsletter

