

ISM-72M2713W0A

SKU: 234669



1/2.8" Network Module Camera, 1920x1080, Day&Night, WDR, 2.7-13.5mm, H.265, PoE, 12VDC

Main Features

1/2.8" Sony STARVIS CMOS Sensor
Excellent light sensitivity
Resolution max. 1920x1080 (Full HD)
Motorised varifocal lens 2.7~13.5mm
DOL-WDR (120dB) by triple scan images at 30/25fps
Motion Detection, Privacy Zones, Slow Shutter

Browser independent (IE, Edge, Safari, Firefox, Chrome)
Smart Codec H.265 ROI (Region of Interest)
Supports ONVIF Profile S and Profile T
Operating temperature -20°C ~ +50°C
Dimensions 50x50x93mm
Power supply PoE or 12VDC

Specifications

General:	
Dimensions (HxWxD)	93x50x50mm
Supply voltage	PoE, 12VDC, 12VDC, PoE
Text display	supplied
Series	eneo AN-Series
Camera Type	Board Camera
Housing	without housing
Blower	yes
Mounting	Flush mount
Power consumption	4.4W
Power over Ethernet	IEEE 802.3af

ISM-72M2713W0A

Continuation of the specifications

Operating temperature	-20°C ~ +50°C
ONVIF	ONVIF Profile S, ONVIF Profile T
Weight	160g
DORI:	
Observe (62 px/m)	16,6 - 80,5 m
Recognize (125 px/m)	8,2 - 40,1 m
Identify (250 px/m)	3,9 - 20,1 m
Detect (25px/m)	44 - 198 m
Functions:	
Alarm processing	E-Mail,HTTP,FTP,Boost,TCP,UDP,Onvif Event Mapping
User interface	Type A (orange / grey)
Motion detector	yes
Digital noise reduction (DNR)	yes
e-PTZ support	yes
Menu languages	English,German,French,Korean
Mirror function	mirror,flip
Multicast compliant	yes
Password protection	administrator & users
Privacy zone masking	Areas-ON/OFF switchable
Web browser	MS internet Explorer: ActiveX ex 9.0,Safari: MJPEG,Mozilla: MJPEG,Google Chrome: MJPEG,Edge: MJPEG
Audio support	no
Internal storage	no
Analysis functions	Motion detection, Tampering Detection (TD)
Remote configuration	Browser
Notes:	
Remarks	NDAA compliance under Section 889
Camera:	
Imager	Sony STARVIS,Sensor IMX307,CMOS, CMOS
Automatic electronic shutter (ESC)	1/25 ~ 1/25.000sec
Flickerless function	yes
Backlight compensation	BLC,HLC
Low speed shutter	yes
Manual electronic shutter (MES)	1/25 ~ 1/25.000sec
Signal-to-noise ratio	50dB
Day&Night mode	Automatic,Day,Night,extern (Sensor)
White balance	Automatic,Outdoor,Light bulb,Fluorescent light,Clear Sky,Shade,Manual
Wide Dynamic Range (WDR)	D-WDR, D-WDR, DOL-WDR 120dB
Resolution Standard	HD 1080p
System	True Day&Night

ISM-72M2713W0A

Continuation of the specifications

Sensor size	1/2.8"
Day&Night switch	ICR
Sensitivity	0,0008 Lux at F1,6, 40 IRE
Camera type	Platine
Parts supplied:	
Parts supplied	manual, Connection cable set
Network:	
Network protocols	TCP/IP, UDP, IPv4, IPv6, HTTP, HTTPS, FTP, UPnP, RTP, RTSP, RTCP, DHCP, ARP, Zeroconf, Bonjour, SNMP
Lens:	
Iris control	DC
Lens Type	Varifocal (motorized)
Focal Length	2,7 - 13,5 mm
Zoom Factor	4x
Digital Zoom	yes
MOD (Minimum Object Distance)	0,5 m
Interfaces / Inputs/ Outputs:	
Alarm inputs	no
Alarm outputs	no
Ethernet interface	100Base-TX, 10Base-T
Serial interfaces	Ethernet
Video:	
Resolution	1920x1080 (16:9), 1280x720 (16:9)
Image display	VerticalView 90°/270°, 16:9
Stream types	Multi Streaming
Video compression	H.264, H.264+ (Smart Stream), H.265, H.265+ (Smart Stream), M-JPEG
Image resolution max.	1920x1080
Image Transmission Rate	30 fps
Other	
Low Speed Shutter	yes
Digital Noise Reduction	yes
Backlight Compensation	BLC, HLC
Motion Detector	yes
Objektiv Typ	Varifocal (motorized)
Iris Control	DC
Horizontal Angle of View	108 - 32°
Vertical Angle of View	56 - 18°
Manufacturer order number	234669

Optional Accessory

SKU	Name	Description
-----	------	-------------

ISM-72M2713W0A

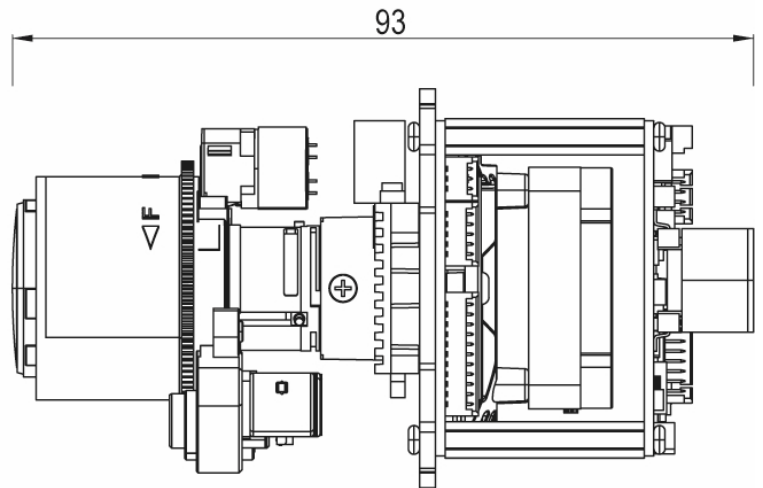
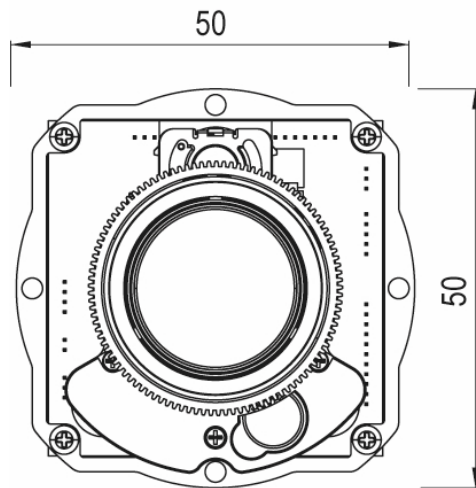
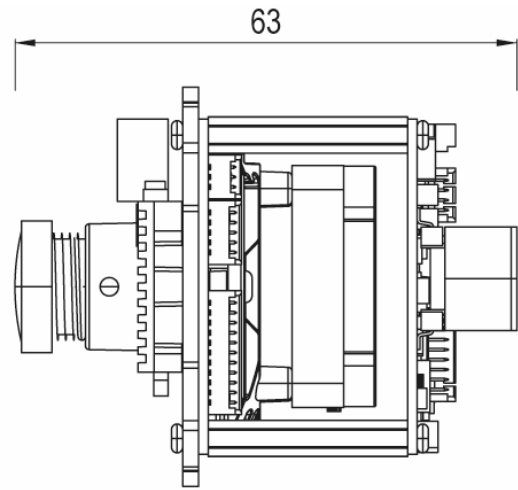
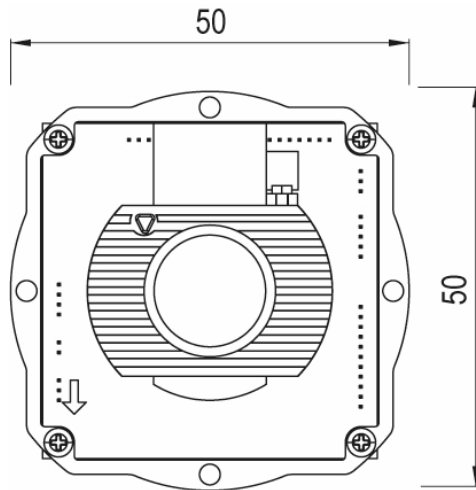
Continuation of accessory

218218

eneo Site Manager

Management Software for eneo IP products

Technical Drawing



Maße / Dimensions: mm



eneo is a registered trademark of
VIDEOR E. Hartig GmbH
Carl-Zeiss-Straße 8

63322 Rödermark, Deutschland

Phone: +49 6074 - 888 - 300
Fax: +49 6074 - 888 - 100
E-Mail: info@eneo-security.com
Web: www.eneo-security.com

Stay informed and subscribe
to the eneo newsletter

