

ISM-72F0021W0A

SKU: 234668



1/2.8" Network Module Camera, 1920x1080, Day&Night, WDR, 2.1mm, H.265, PoE, 12VDC

Main Features

- 1/2.8" Sony STARVIS CMOS Sensor
- Excellent light sensitivity
- Resolution max. 1920x1080 (Full HD)
- Lens fixed focal length 2.1mm
- DOL-WDR (120dB) by triple scan images at 30/25fps
- Motion Detection, Privacy Zones, Slow Shutter

- Browser independent (IE, Edge, Safari, Firefox, Chrome)
- Smart Codec H.265 ROI (Region of Interest)
- Supports ONVIF Profile S and Profile T
- Operating temperature -20°C ~ +50°C
- Dimensions 50x50x64mm
- Power supply PoE or 12VDC

Specifications

| General: | |
|---------------------|-----------------|
| Dimensions (HxWxD) | 63x50x50mm |
| Text display | supplied |
| Series | eneo AN-Series |
| Camera Type | Board Camera |
| Housing | without housing |
| Blower | yes |
| Mounting | Flush mount |
| Supply voltage | 12VDC, PoE |
| Power consumption | 4.5W |
| Power over Ethernet | IEEE 802.3af |

ISM-72F0021W0A

Continuation of the specifications

| | |
|------------------------------------|--|
| Operating temperature | -20°C ~ +50°C |
| ONVIF | ONVIF Profile S, ONVIF Profile T |
| Weight | 112g |
| DORI: | |
| Observe (62 px/m) | 13,8 m |
| Recognize (125 px/m) | 6,5 m |
| Identify (250 px/m) | 3 m |
| Detect (25px/m) | 36,6 m |
| Functions: | |
| Alarm processing | E-Mail,HTTP,FTP,Boost,TCP,UDP,Onvif Event Mapping |
| User interface | Type A (orange / grey) |
| Motion detector | yes |
| e-PTZ support | yes |
| Menu languages | English,German,French,Korean |
| Mirror function | mirror,flip |
| Multicast compliant | yes |
| Password protection | administrator & users |
| Privacy zone masking | Areas-ON/OFF switchable |
| Web browser | MS internet Explorer: ActiveX ex 9.0,Safari: MJPEG,Mozilla: MJPEG,Google Chrome: MJPEG,Edge: MJPEG |
| Digital Noise Reduction | yes |
| Audio support | no |
| Internal storage | no |
| Analysis functions | Motion detection, Tampering Detection (TD) |
| Remote configuration | Browser |
| Notes: | |
| Remarks | NDAA compliance under Section 889,To guarantee you an optimum user experience, we recommend that you only use components of the same brand in a system. If several brands are used in combination, eneo cannot guarantee functionality. If combined use is necessary, we offer a compatibility check for a fee (for more information, see article number #229235 at VIDEOR). |
| Camera: | |
| Imager | Sony STARVIS,Sensor IMX307,CMOS |
| Automatic electronic shutter (ESC) | 1/25 ~ 1/25.000sec |
| Flickerless function | yes |
| Backlight compensation | BLC,HLC |
| Low speed shutter | yes |
| Manual electronic shutter (MES) | 1/25 ~ 1/25.000sec |
| Signal-to-noise ratio | 50dB |

ISM-72F0021W0A

Continuation of the specifications

| | |
|-------------------------------|--|
| Day&Night mode | Automatic,Day,Night,extern (Sensor) |
| White balance | Automatic,Outdoor,Light bulb,Fluorescent light,Clear Sky,Shade,Manual |
| Wide Dynamic Range (WDR) | D-WDR |
| Resolution Standard | HD 1080p |
| System | True Day&Night |
| Sensor size | 1/2.8" |
| Day&Night switch | ICR |
| Sensitivity | 0,003 Lux at F2,0, 40 IRE |
| Camera type | Platine |
| Parts supplied: | |
| Parts supplied | manual,Connection cable set |
| Network: | |
| Network protocols | TCP/IP,UDP,IPv4,IPv6,HTTP,HTTPS,FTP,UPnP,RT P,RTSP,RTCP,DHCP,ARP,Zeroconf,Bonjour,SNMP |
| Lens: | |
| Lens Type | fixed focal length |
| Focal Length | 2,1 mm |
| Iris Control | DC |
| Digital Zoom | yes |
| MOD (Minimum Object Distance) | 0,5 m |
| Interfaces / Inputs/ Outputs: | |
| Alarm inputs | nein |
| Alarm outputs | no |
| Ethernet interface | 100Base-TX, 10Base-T |
| Serial interfaces | Ethernet |
| Video: | |
| Resolution | 1920x1080 (16:9),1280x720 (16:9) |
| Image display | VerticalView 90°/270°,16:9 |
| Stream types | Multi Streaming |
| Video compression | H.264, H.264+ (Smart Stream), H.265, H.265+ (Smart Stream), M-JPEG |
| Image resolution max. | 1920x1080 |
| Image Transmission Rate | 30 fps |
| Other | |
| Horizontal Angle of View | 148,3° |
| Vertical Angle of View | 78,4° |
| Manufacturer order number | 234668 |

Optional Accessory

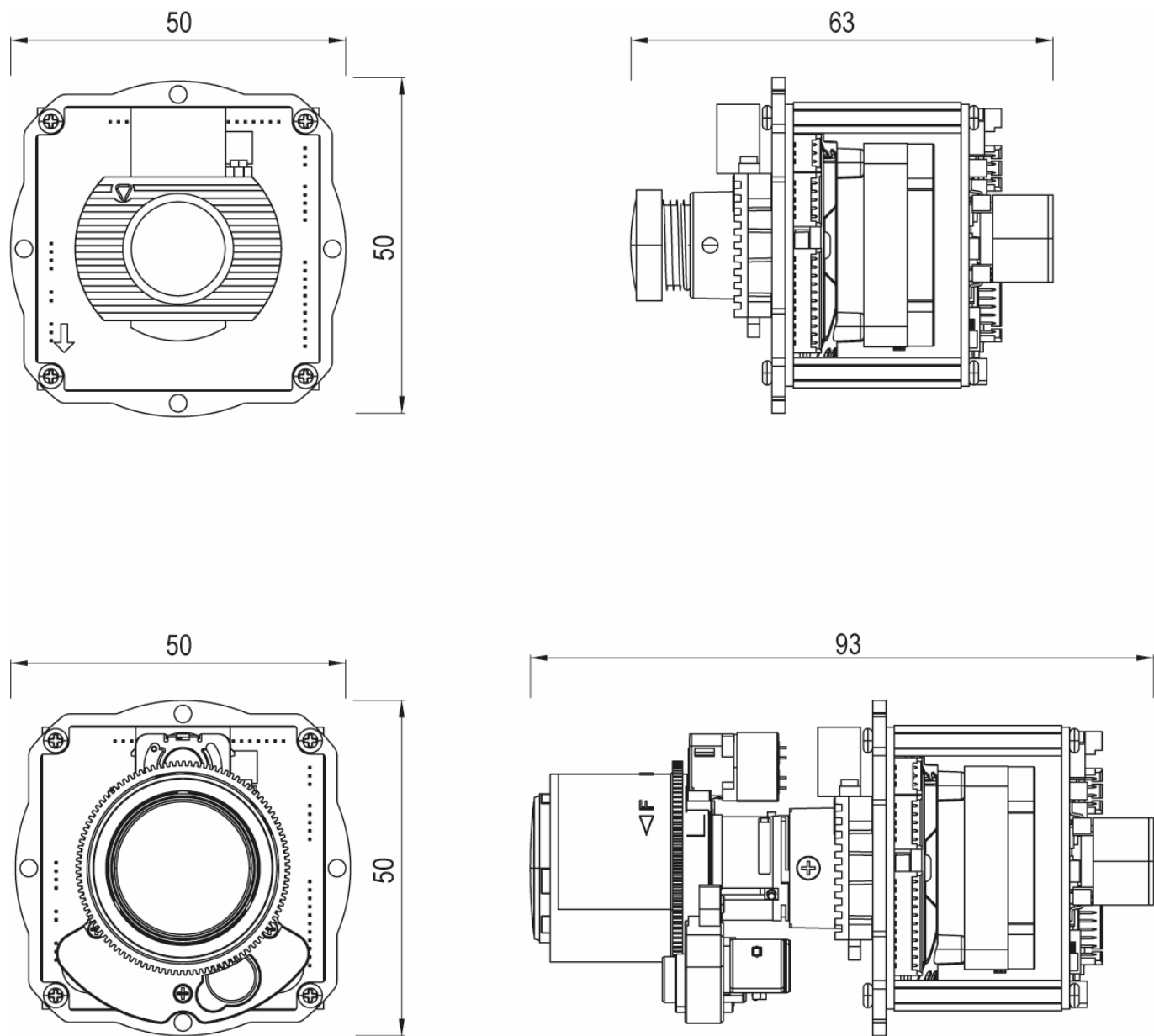
| SKU | Name | Description |
|-----|------|-------------|
|-----|------|-------------|

ISM-72F0021W0A

Continuation of accessory

| | | |
|--------|-------------------|--|
| 218218 | eneo Site Manager | Management Software for eneo IP products |
|--------|-------------------|--|

Technical Drawing



Maße / Dimensions: mm



eneo is a registered trademark of
VIDEOR E. Hartig GmbH
Carl-Zeiss-Straße 8

63322 Rödermark, Deutschland

Phone: +49 6074 - 888 - 300
Fax: +49 6074 - 888 - 100
E-Mail: info@eneo-security.com
Web: www.eneo-security.com

Stay informed and subscribe
to the eneo newsletter

