

# ISM-65F0028W0A

SKU: 232563



1/2,8" Network Board Camera 2592x1944, Day/Night, WDR, 2,8mm, H.265, PoE, 12VDC

## Main Features

1/2.8" Sony STARVIS CMOS Sensor

Excellent light sensitivity

Resolution max. 2592x1944 (5MP)

Lens fixed focal length 2.8mm

WDR (120dB), BLC, 3DNR

Tripple Streaming (H.265, H.264, MJPEG)

Browser independent (IE, Edge, Safari, Firefox, Chrome)

Object classification (person, car, bike)

Supports ONVIF Profile S

Operating temperature -20°C ~+50°C

Dimensions 50x50x59mm

Power supply PoE or 12VDC

## Specifications

General:	
Dimensions (HxWxD)	see drawing
Illumination	no
Supply voltage	12VDC, PoE, 12VDC, PoE
Text display	supplied
Camera Type	Board Camera
Housing	without housing
Blower	no
Mounting	Einbaumodul
Power consumption	4.2W
Power over Ethernet	IEEE 802.3af

# ISM-65F0028W0A

## Continuation of the specifications

Operating temperature	-20°C ~ +50°C
ONVIF	ONVIF Profile S
Weight	260g
DORI:	
Observe (62 px/m)	26,1 m
Recognize (125 px/m)	12,3 m
Identify (250 px/m)	5,7 m
Detect (25px/m)	66,7 m
Functions:	
Alarm processing	alarm out,FTP,E-Mail
Motion detector	yes
Digital noise reduction (DNR)	yes
e-PTZ support	yes
Menu languages	English,German
Mirror function	V flip,H-flip
Multicast compliant	yes
Password protection	administrator & users
Privacy zone masking	Areas-ON/OFF switchable
Web browser	MS Internet Explorer 11,Safari: MJPEG,Mozilla: MJPEG,Google Chrome: Java,Edge: MJPEG
Audio support	yes
Internal storage	no
Analysis functions	Human&Vehicle Detection (PD&VD), Motion detection
Audio	2 Way Audio
Remote configuration	Browser, Remote software
Notes:	
Remarks	NDAA compliance under Section 889
Camera:	
Imager	Sony STARVIS,Sensor IMX335,CMOS, CMOS
Automatic electronic shutter (ESC)	1/4 ~ 1/10.000sec..
Flickerless function	yes
Backlight compensation	BLC
Low speed shutter	no
Manual electronic shutter (MES)	1/4 ~ 1/10.000sec.
Signal-to-noise ratio	50dB
Day&Night mode	Automatic,Day,Night,Time
White balance	ATW,Manual
Wide Dynamic Range (WDR)	WDR 120dB, WDR 120dB
Resolution Standard	5 Megapixel
System	True Day&Night
Sensor size	1/2.8"
Day&Night switch	ICR

# ISM-65F0028W0A

## Continuation of the specifications

Sensitivity	0,003 Lux at F1,6
Camera type	Platine
Parts supplied:	
Parts supplied	manual, Connection cable set
Network:	
Network protocols	IPv4, IPv6, IGMP, ICMP, ARP, TCP, UDP, DHCP, RTP, RTSP, RTCP, DNS, DDNS, NTP, SMTP, FTP, UPnP, HTTP, HTTPS, SSL
Lens:	
Iris control	DC
Lens Type	fixed focal length
Focal Length	2,8 mm
MOD (Minimum Object Distance)	0,5 m
Interfaces / Inputs/ Outputs:	
External connectors	12VDC power input, Alarm in/output, Audio in/output, RJ-45
Video outputs	no
Alarm inputs	1
Alarm outputs	1
Ethernet interface	100Base-TX, 10Base-T
Serial interfaces	Ethernet
Video:	
Resolution	2592x1944 (4:3), 2592x1520 (16:9), 2304x1296 (16:9), 2048x1536 (4:3), 1920x1080 (16:9), 1280x1024 (5:4), 1024x768 (4:3), 1280x720 (16:9), 704x576 (4:3), 704x480 (4:3), 640x480 (4:3), 640x360 (16:9), 352x288 (4:3), 352:240 (4:3)
Image display	VerticalView 90°/270°
Stream types	Multi Streaming
Video compression	H.264, H.265
Image resolution max.	2592x1944
Image Transmission Rate	30 fps
Other	
Low Speed Shutter	no
Digital Noise Reduction	yes
Backlight Compensation	BLC
Motion Detector	yes
Objektiv Typ	fixed focal length
Iris Control	DC
Horizontal Angle of View	105,2°
Vertical Angle of View	75,7°
Illumination	no
Manufacturer order number	232563

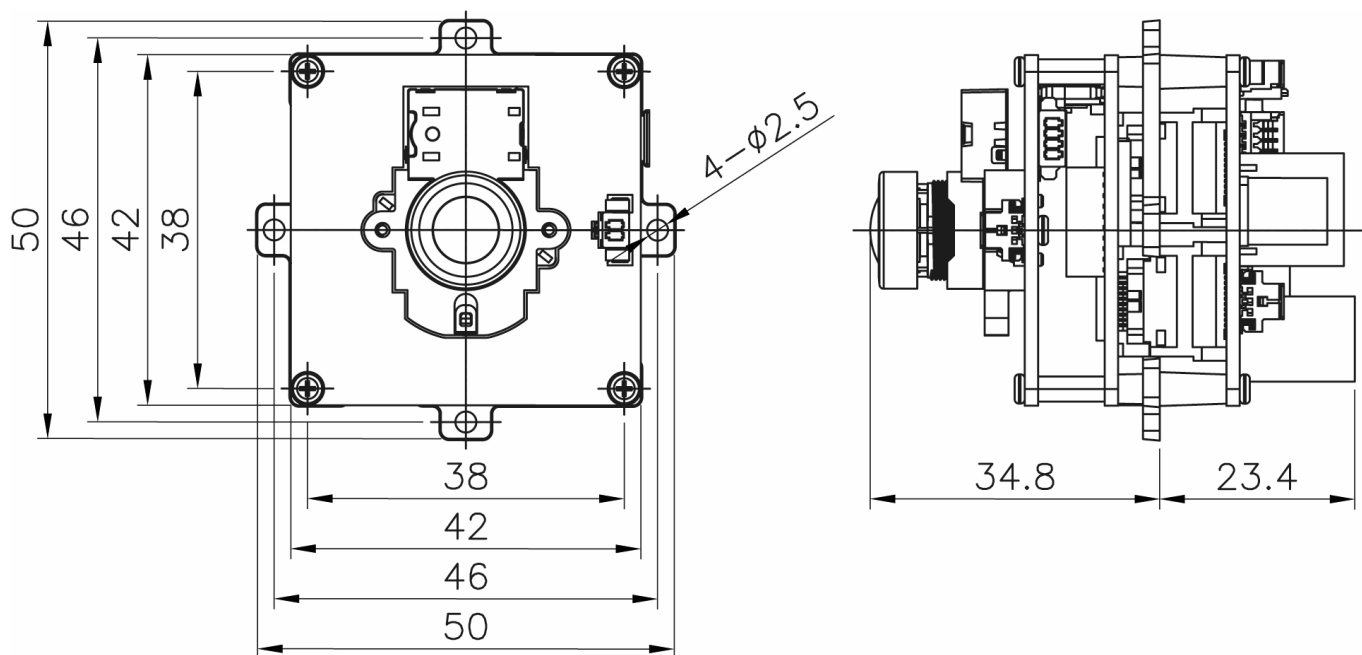
# ISM-65F0028W0A

Continuation of the specifications

## Optional Accessory

SKU	Name	Description
218218	eneo Site Manager	Management Software for eneo IP products

## Technical Drawing



Maße / Dimensions: mm



eneo is a registered trademark of  
VIDEOR E. Hartig GmbH  
Carl-Zeiss-Straße 8

63322 Rödermark, Deutschland

Phone: +49 6074 - 888 - 300  
Fax: +49 6074 - 888 - 100  
E-Mail: [info@eneo-security.com](mailto:info@eneo-security.com)  
Web: [www.eneo-security.com](http://www.eneo-security.com)

Stay informed and subscribe  
to the eneo newsletter

