

# IPD-78M3611M5A

SKU: 220930



1/2,5" Network Dome, Fix, 3840x2160, Day&Night, DOL-WDR 3,6-11mm, Infrared, IP67

## Main Features

1/2.5" Sony STARVIS CMOS sensor  
Resolution max. 3840x2160, 8 Megapixel  
Motorised varifocal lens 3,6~11mm  
DOL-WDR (120dB) by triple scan images at 30/25fps  
VCA video analysis, ONVIF event mapping  
Browser independent (IE, Edge, Safari, Firefox, Chrome)

Smart Codec H.265 ROI (Region of interest)  
Quad Smart Streaming: H.265(+), H.264(+), MJPEG  
Slot for Micro SD Card, HTML5 replay, Audio, Alarm  
Power supply PoE, 12VDC or 24VAC  
For outdoor use IP66, vandal proofed IK10  
Supports ONVIF Profile S and Profile T

## Specifications

General:	
Dimensions (HxWxD)	119x140mm
Illumination	2x High Power LEDs 850nm, Infrared
SDK	upon request
Text display	supplied
Series	eneo Callisto, eneo LN-Series
Housing	Indoor, Outdoor
Color (housing)	Pantone Cool Gray 1C
Color (bubble)	clear
Housing material	Aluminium
Heater	no

# IPD-78M3611M5A

## Continuation of the specifications

Blower	yes
Mounting	Ceiling mount, Wall mount
Supply voltage	12VDC, 24VAC, PoE
Power consumption	10,8W
Power over Ethernet	IEEE 802.3af
Vandal proof	yes
Operating temperature	-50°C ~ +50°C
ONVIF	ONVIF Profile S, ONVIF Profile T
Certifications	IK10
Protection rating	IP67
Illumination range	approx. 40m
Weight	1 kg
DORI:	
Observe (62 px/m)	40,4 - 119 m
Recognize (125 px/m)	20,2 - 59,2 m
Identify (250 px/m)	9,8 - 28,8 m
Detect (25px/m)	104 - 295 m
Functions:	
Alarm processing	recording internal storage (SD card),E-Mail,HTTP,FTP,Boost,TCP,UDP,Onvif Event Mapping,alarm out
User interface	Type A (orange / grey)
Motion detector	yes
e-PTZ support	yes
Menu languages	English,German,French,Korean
Mirror function	mirror,flip
Multicast compliant	yes
Password protection	administrator & users
Privacy zone masking	Areas-ON/OFF switchable
Vertical tilt range	65 °(25 ~ 90°)
Web browser	MS internet Explorer: ActiveX ex 9.0,Safari: MJPEG,Mozilla: MJPEG,Google Chrome: MJPEG,Edge: MJPEG
Digital Noise Reduction	yes
Rotation range	+/-173°
Audio support	yes
Internal storage	microSDHC card, microSDXC card
Analysis functions	Defog, Field detection, Line detection, Motion detection, Object left,removed
Audio	2 Way Audio
Remote configuration	Browser
Camera:	
Imager	Sony STARVIS,Sensor IMX274,CMOS

# IPD-78M3611M5A

## Continuation of the specifications

Automatic electronic shutter (ESC)	1/25 ~ 1/10.000sec.
Flickerless function	yes
Backlight compensation	BLC,HLC
Low speed shutter	yes
Manual electronic shutter (MES)	1/25 ~ 1/10000sec.
Signal-to-noise ratio	50dB
Day&Night mode	Automatic,Day,Night,night-color mode,extern (Sensor)
White balance	ATW-Indoor,ATW-Outdoor,Manual,Fluorescent light,Light bulb,Shade,Clear Sky,Flammes
Wide Dynamic Range (WDR)	D-WDR
Resolution Standard	8 Megapixel
System	True Day&Night
Sensor size	1/2.5"
Day&Night switch	ICR
Sensitivity	0,2 Lux at F1,5, 40 IRE
Camera type	Dome
Parts supplied:	
Parts supplied	manual,bag of screws
Network:	
Network protocols	TCP/IP,UDP,IPv4,IPv6,HTTP,HTTPS,FTP,UPnP,RT P,RTSP,RTCP,DHCP,ARP,Zeroconf,Bonjour
Lens:	
Lens Type	Varifocal (motorized)
Focal Length	3,6 - 11 mm
Iris Control	DC
Zoom Factor	3x
Digital Zoom	yes
MOD (Minimum Object Distance)	0,5 m
Interfaces / Inputs/ Outputs:	
External connectors	micro SD card slot,Alarm in/output,RJ-45,Combi connector,connection cable approx.15cm
Video outputs	no
Alarm inputs	1
Alarm outputs	1
Ethernet interface	100Base-TX, 10Base-T
Serial interfaces	Ethernet
Video:	
Resolution	3840x2160 (16:9),2592x1520 (16:9),1920x1080 (16:9),1600x900 (16:9),1280x720 (16:9),960x540 (16:9),640x360 (16:9),320x180 (16:9)
Stream types	Multi Streaming
Video compression	H.264, H.264+ (Smart Stream), H.265, H.265+ (Smart Stream), M-JPEG

# IPD-78M3611M5A

Continuation of the specifications

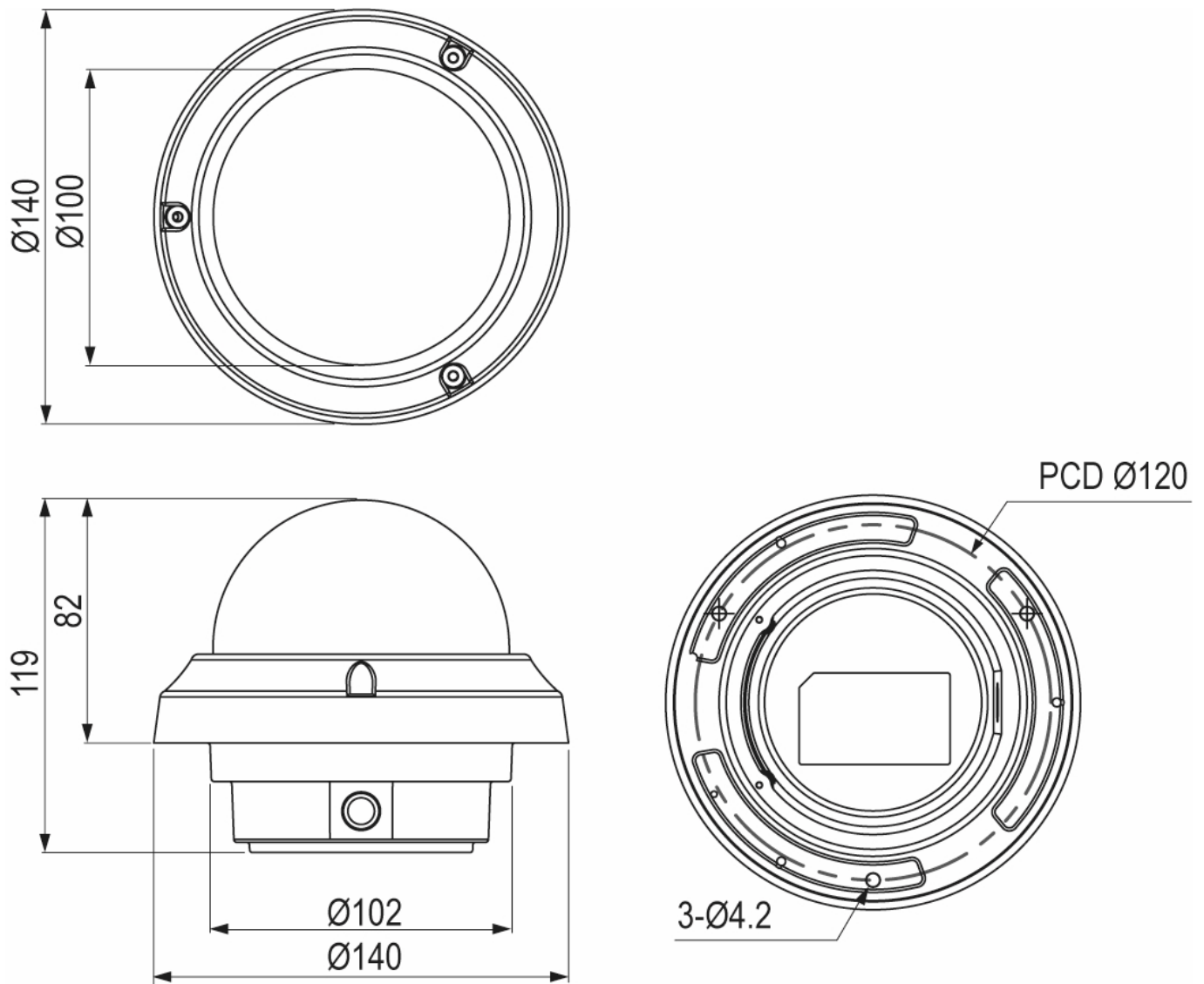
Image resolution max.	3840x2160
Image Transmission Rate	30 fps
Other	
Horizontal Angle of View	84 - 40°
Vertical Angle of View	46 - 21°
Manufacturer order number	220930

## Optional Accessory

SKU	Name	Description
209832	AK-5	Camera Junction Box, for Callisto Dome series, IP66
216923	DOME-S1	Sun Shield for eneo Callisto Dome Series
209880	DOME-WB1+DOME/ Basis1	Wall Bracket & Surface mount base, Callisto Dome line
215644	DOME-WB3	Wall bracket for eneo Dome Cameras MED-62xxxxxM0A and IED-62xxxxxM0A
209831	DOME/BASIS1	Surface mount base , Callisto Dome line
207192	DOME/WEDGE2	Wedge Adapter, Callisto Dome Line
218218	eneo Site Manager	Management Software for eneo IP products
216472	IAD-5SG1008MUA	Gigabit Switch, Unmanaged, 120W, 8x PoE, 1xSFP, 1x RJ45, 10/100/1000 Mbps, Desktop
221334	IAM-4MU1001M0A	EPOC Signalkonverter, BNC auf Zweidraht Übertragung, Zubehör für EPOC Kameras, Transceiver

# IPD-78M3611M5A

## Technical Drawing



Maße / Dimensions: mm



eneo is a registered trademark of  
VIDEOR E. Hartig GmbH  
Carl-Zeiss-Straße 8

63322 Rödermark, Deutschland

Phone: +49 6074 - 888 - 300  
Fax: +49 6074 - 888 - 100  
E-Mail: [info@eneo-security.com](mailto:info@eneo-security.com)  
Web: [www.eneo-security.com](http://www.eneo-security.com)

Stay informed and subscribe  
to the eneo newsletter

