

IPD-68M3611P5A

SKU: 227050



1/2,5" Network Dome, Fix, 3840x2160, Day&Night, DOL-WDR, 3,6-11mm, Infrared, Indoor

Main Features

1/2.5" Sony STARVIS CMOS sensor
Resolution max. 3840x2160, 8 Megapixel
Motorised varifocal lens 3.6~11mm
DOL-WDR (120dB) by triple scan images at 30/25fps
VCA video analysis, ONVIF event mapping
Browser independent (IE, Edge, Safari, Firefox, Chrome)

Smart Codec H.265 ROI (Region of interest)
Quad Smart Streaming: H.265(+), H.264(+), MJPEG
Slot for Micro SD Card, HTML5 replay
Power supply PoE or 12VDC
Wedge adapter included (10° inclination)
Supports ONVIF Profile S and Profile T

Specifications

General:	
Dimensions (HxWxD)	94x116mm
Illumination	2x High Power LEDs 850nm, Infrared
SDK	upon request
Text display	supplied
Series	eneo Callisto Indoor, eneo LN-Series
Housing	Indoor
Color (housing)	white
Color (bubble)	clear
Housing material	Plastic
Heater	no

IPD-68M3611P5A

Continuation of the specifications

Blower	yes
Mounting	Ceiling mount, Wall mount
Supply voltage	12VDC, PoE
Power consumption	8,5W
Power over Ethernet	IEEE 802.3af
Vandal proof	yes
Operating temperature	-10°C ~ +50°C
ONVIF	ONVIF Profile S, ONVIF Profile T
Illumination range	approx. 30m
Weight	300g
DORI:	
Observe (62 px/m)	40,4 - 119 m
Recognize (125 px/m)	20,2 - 59,2 m
Identify (250 px/m)	9,8 - 28,8 m
Detect (25px/m)	104 - 295 m
Functions:	
Alarm processing	recording internal storage (SD card),E-Mail,HTTP,FTP,Boost,TCP,UDP,Onvif Event Mapping
User interface	Type A (orange / grey)
Motion detector	yes
e-PTZ support	yes
Menu languages	English,German,French,Korean
Mirror function	mirror,flip
Multicast compliant	yes
Password protection	administrator & users
Privacy zone masking	Areas-ON/OFF switchable
Vertical tilt range	+/-60°
Web browser	MS internet Explorer: ActiveX ex 9.0,Safari: MJPEG,Mozilla: MJPEG,Google Chrome: MJPEG,Edge: MJPEG
Digital Noise Reduction	yes
Rotation range	+/-165°
Audio support	no
Internal storage	microSDHC card, microSDXC card
Analysis functions	Defog, Field detection, Line detection, Motion detection, Object left,removed
Remote configuration	Browser
Camera:	
Imager	Sony STARVIS,Sensor IMX274,CMOS
Automatic electronic shutter (ESC)	1/25 ~ 1/10.000sec.
Flickerless function	yes
Backlight compensation	BLC,HLC

IPD-68M3611P5A

Continuation of the specifications

Low speed shutter	yes
Manual electronic shutter (MES)	1/25 ~ 1/10000sec.
Signal-to-noise ratio	50dB
Day&Night mode	Automatic,Day,Night,night-color mode,extern (Sensor)
White balance	ATW-Indoor,ATW-Outdoor,Manual,Fluorescent light,Light bulb,Shade,Clear Sky,Flammes
Wide Dynamic Range (WDR)	D-WDR
Resolution Standard	8 Megapixel
System	True Day&Night
Sensor size	1/2.5"
Day&Night switch	ICR
Sensitivity	0,2 Lux at F1,5, 40 IRE
Camera type	Dome
Parts supplied:	
Parts supplied	manual,bag of screws
Network:	
Network protocols	TCP/IP,UDP,IPv4,IPv6,HTTP,HTTPS,FTP,UPnP,RT P,RTSP,RTCP,DHCP,ARP,Zeroconf,Bonjour
Lens:	
Lens Type	Varifocal (motorized)
Focal Length	3,6 - 11 mm
Iris Control	DC
Zoom Factor	3x
Digital Zoom	yes
MOD (Mininum Object Distance)	0,5 m
Interfaces / Inputs/ Outputs:	
External connectors	RJ-45,12VDC input (DC plug),connection cable approx.55cm
Video outputs	no
Alarm inputs	nein
Alarm outputs	no
Ethernet interface	100Base-TX, 10Base-T
Serial interfaces	Ethernet
Video:	
Resolution	3840x2160 (16:9),2592x1520 (16:9),1920x1080 (16:9),1600x900 (16:9),1280x720 (16:9),960x540 (16:9),640x360 (16:9),320x180 (16:9)
Stream types	Multi Streaming
Video compression	H.264, H.264+ (Smart Stream), H.265, H.265+ (Smart Stream), M-JPEG
Image resolution max.	3840x2160
Image Transmission Rate	30 fps

IPD-68M3611P5A

Continuation of the specifications

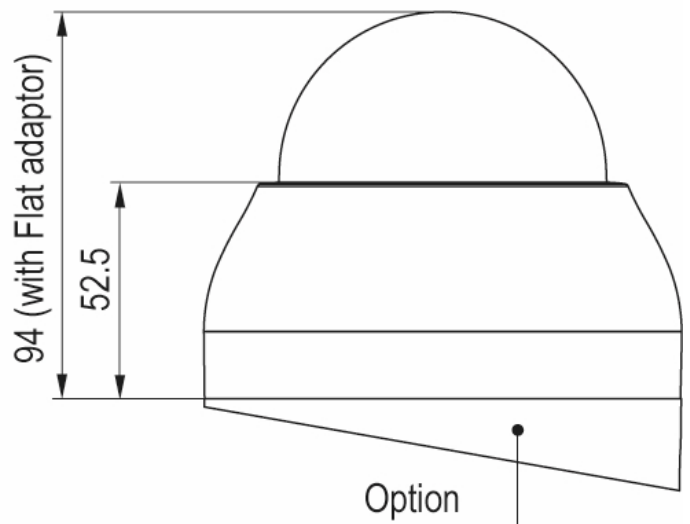
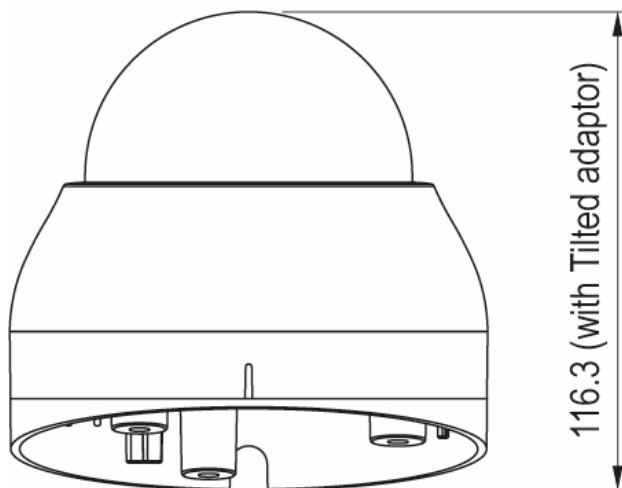
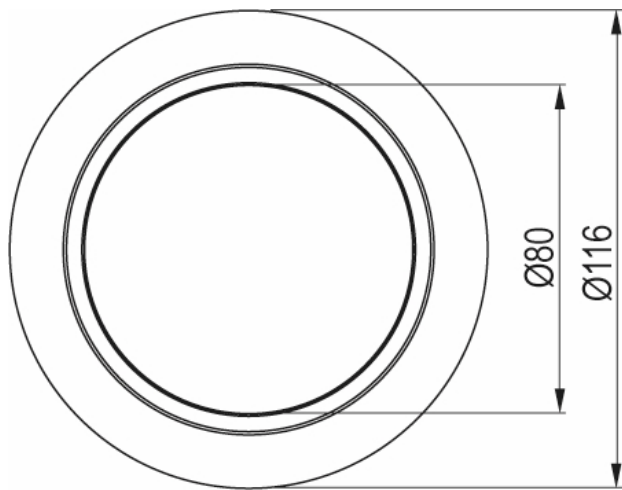
Other	
Horizontal Angle of View	84 - 40°
Vertical Angle of View	46 - 21°
Manufacturer order number	227050

Optional Accessory

SKU	Name	Description
218218	eneo Site Manager	Management Software for eneo IP products
216472	IAD-5SG1008MUA	Gigabit Switch, Unmanaged, 120W, 8x PoE, 1xSFP, 1x RJ45, 10/100/1000 Mbps, Desktop

IPD-68M3611P5A

Technical Drawing



Maße / Dimensions: mm



eneo is a registered trademark of
VIDEOR E. Hartig GmbH
Carl-Zeiss-Straße 8

63322 Rödermark, Deutschland

Phone: +49 6074 - 888 - 300
Fax: +49 6074 - 888 - 100
E-Mail: info@eneo-security.com
Web: www.eneo-security.com

Stay informed and subscribe
to the eneo newsletter

