

INB-55M2713M0A

SKU: 234993



Network Camera Bullet, 2592x1944, Day/Night, WDR, AI 2,7-13,5mm, IR, 12V, PoE, IP67

Main Features

1/2.7" CMOS sensor, 5 MP/30fps

AI analysis functions including object classification

WDR 120dB, 3D-DNR Noise Reduction

Motorized varifocal lens 2.7-13.5mm

Smart Codec H.265/H.264, multi-streaming

Browser independent (IE, Edge, Safari, Firefox, Chrome)

Supports ONVIF Profile S and Profile T

Multilingual menu navigation (OSD)

Local storage via Micro SD card

Supports audio and external alarm input and output

Power supply 12VDC or PoE IEEE 802.3af

IR LED illumination, IP67

Specifications

General:	
Dimensions (HxWxD)	83,88x87,4x242mm
Illumination	4x High Power LED 850nm, Infrared
Integrated wall mount	yes
SDK	upon request
Sunshield	yes
Supply voltage	12VDC, PoE, 12VDC, PoE
Text display	ON/OFF switchable
Series	eneo IN-Series
Camera Type	Face recognition, License plate recognition, People Count, Retail Intelligence

INB-55M2713M0A

Continuation of the specifications

Housing	Outdoor
Color (housing)	Pantone P 179-1, RAL9003
Housing material	Aluminium
Heater	no
Blower	no
Mounting	Ceiling mount, Wall mount
Power consumption	4.5W
Power over Ethernet	IEEE 802.3af
Vandal proof	no
Operating temperature	-35°C ~ +55°C, @ Humidity 90% or less (non-condensing)
ONVIF	ONVIF Profile G, ONVIF Profile S, ONVIF Profile T
Protection rating	IP67
Illumination range	approx. 45m
Weight	680g
EAN/GTIN	4260229840078
DORI:	
Observe (62 px/m)	24,3 - 104,5 m
Recognize (125 px/m)	11,5 - 52,2 m
Identify (250 px/m)	5,2 - 25,6 m
Detect (25px/m)	62,5 - 260,3 m
Functions:	
Alarm processing	recording internal storage (SD card),E-Mail,HTTP,FTP,TCP,UDP,alarm out,Cloud Upload
Motion detector	yes
Digital noise reduction (DNR)	3D-DNR,yes
Menu languages	English,German,French,Italian,Portugese,Spanish,Turkish,Russian,Japanese
Mirror function	V flip,H-flip,H/V flip
Multicast compliant	yes
Password protection	administrator & users
Privacy zone masking	Areas-ON/OFF switchable
Web browser	MS Internet Explorer 10/11,Safari ,Firefox ,Google Chrome ,Edge
Audio support	yes
Internal storage	256GB, microSDHC card, microSDXC card
Analysis functions	Attribute Detection (AD), Cross Counting (CC), Crowd Density Detection (CD), Face Attendance (FA), Face Detection (FD), Face Recognition (FR), Heat Map (HM), Human&Vehicle Detection (PD&VD), License Plate Detection (LPD), License Plate Recognition (LPR), Line Crossing Detection (LCD), Perimeter Intrusion Detection (PID), Queue Length Detection (QD), Rare Sound Detection (RSD), Stationary Object Detection (SOD)

INB-55M2713M0A

Continuation of the specifications

Audio	1/1 Line input and output, 2 Way Audio
Remote configuration	Browser
Camera:	
Imager	OmniVision, OS05A20, CMOS, CMOS
Automatic electronic shutter (ESC)	1/5 ~ 1/20.000sec.
Flickerless function	yes
Backlight compensation	BLC, HLC
Low speed shutter	yes
Manual electronic shutter (MES)	1/5 ~ 1/20.000sec.
Signal-to-noise ratio	39dB
Day&Night mode	Automatic, Day, Night, Image, Time
White balance	Automatic, Manual
Wide Dynamic Range (WDR)	WDR 120dB, DOL-WDR 120dB, WDR 120dB
Resolution Standard	5 Megapixel
System	True Day&Night
Sensor size	1/2.7"
Day&Night switch	ICR
Sensitivity	0,003 Lux at F1,6
Camera type	Bullet
Parts supplied:	
Parts supplied	manual, bag of screws
Network:	
Network protocols	TCP/IP, HTTP, DHCP, DNS, DDNS, RTP, RTSP, SMTP, NTP, UPnP, SNMP, HTTPS, FTP
Lens:	
Iris control	DC
Lens Type	Varifocal (motorized)
Focal Length	2,7 - 13,5 mm
Zoom Factor	4x
Digital Zoom	yes
MOD (Minimum Object Distance)	0,3 m
Interfaces / Inputs/ Outputs:	
External connectors	RJ-45, Alarm in/output, Audio input/output, 12VDC input (DC plug), connection cable approx. 30cm, micro SD card slot 256 GB
Video outputs	no
Alarm inputs	1
Alarm outputs	1
Ethernet interface	100Base-TX, 10Base-T
Serial interfaces	Ethernet
Video:	
Resolution	2592x1944 (4:3), 2592x1520 (16:9), 2304x1296 (16:9), 1920x1080 (16:9), 1280x960 (4:3), 640x480 (4:3), 320x240 (4:3)

INB-55M2713M0A

Continuation of the specifications

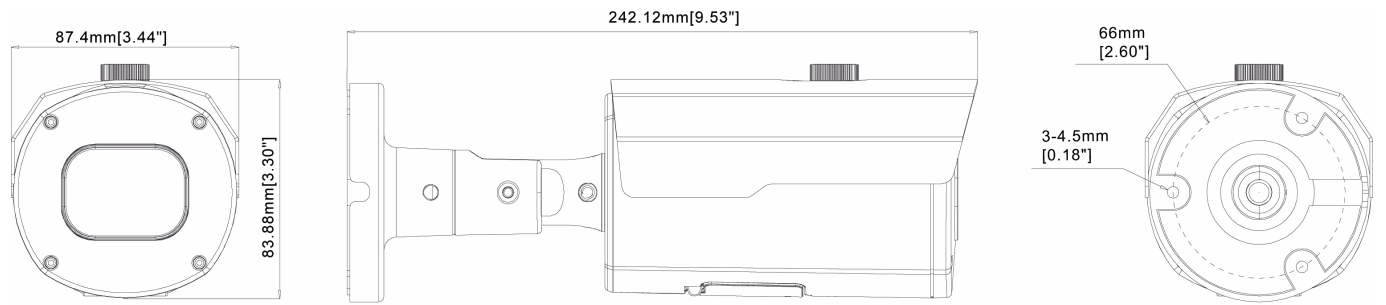
Image display	16:9,4:3,VerticalView
Stream types	Triple-Stream(Main/Sub/Mobile)
Video compression	H.264, H.264+ (Smart Stream), H.265, H.265+ (Smart Stream), M-JPEG
Image resolution max.	2592x1944
Image Transmission Rate	30 fps
Other	
Remarks	NDAA compliance under Section 889,The face detection and license plate recognition functions are only available with an inserted SD card or in conjunction with a recorder from the eneo IN series.
Low Speed Shutter	yes
Digital Noise Reduction	yes
Backlight Compensation	BLC, HLC
Motion Detector	yes
Objektiv Typ	Varifocal (motorized)
Iris Control	DC
Horizontal Angle of View	102 - 31°
Vertical Angle of View	73 - 23°
Illumination	Infrared
Manufacturer order number	234993

Optional Accessory

SKU	Name	Description
233754	AK-20	Camera connection box for Wall and ceiling mounting, IN Series Bullet Cameras
233775	AK-21	Camera connection box for Wall and ceiling mounting, IN Series Bullet Cameras
235339	AK-24	Dual camera connection box for Bullet or Fix Dome IN-Series cameras
236198	eneo INsight Installation Tool	Supports adjustments for cameras with AI features for IN-series
234990	eneo INsight mobile	Mobile App for recorder IN- and MN-series
218218	eneo Site Manager	Management Software for eneo IP products
235257	PM-21	Pole mounting adapter for camera connection box AK-20 and AK-21
235340	WB-24	Wall bracket for Dual camera connection box AK-24

INB-55M2713M0A

Technical Drawing



Maße / Dimensions: mm



eneo is a registered trademark of
VIDEOR E. Hartig GmbH
Carl-Zeiss-Straße 8

63322 Rödermark, Deutschland

Phone: +49 6074 - 888 - 300
Fax: +49 6074 - 888 - 100
E-Mail: info@eneo-security.com
Web: www.eneo-security.com

Stay informed and subscribe
to the eneo newsletter

