

GLD-1401

Home | Security | IP Dome Cameras | Fixed

GLD-1401
1/3" Network Colour Fixed Dome, Surface Mount,
704x576, 480TVL, 12VDC/230VAC

Art-Nr. 91576



Main Features

For Indoor Ceiling Surface Mount
Vandal Resistant
Clear Bubble, 100mm
Integrated Lens: F2.0/3.6mm
MJPEG and MPEG-4 Video Compression
E-Mail and FTP Transmission of Important Events

Image Frame Rate: Up to 25 Frames/Sec. (PAL)
Integrated Activity Detection
Ethernet Interface: 10/100Base-TX
Supports Various Network Environments
Upgrade via FTP, USB Interface and HTTP

Specifications

Series	eneo GL
System	Colour
Video standard	PAL
Sensor size	1/3"
Imager	CCD, Sony Super HAD Interline Transfer CCD (with HQ1 DSP)
Sensitivity (at 50% video signal)	0,4 Lux, at F1.2 (Videor measurement result)
Horizontal resolution	480 TVL
Active picture elements	440,000, 752(H) x 582(V)
Automatic gain control (AGC)	Available
Automatic electronic shutter (ESC)	1/50 ~ 1/100,000sec.
Digital Noise Reduction (DNR)	no
Low Speed Shutter	no
White balance (AWB)	2500 ~9500K

GLD-1401

(Continuation Specifications)

Backlight compensation	no
Wide Dynamic Range (WDR)	no
IR cut filter	standard
Mirror function (h/v)	yes
Privacy Zone	3 areas
Activity detection	yes, 96 zones, 5 levels sensitivity (MJPEG)
External connections	Video (BNC), USB1.1, Network (RJ-45), Alarm In/Out, Reset, Power input
Video outputs	CVBS, 1Vp-p, composite, 75ohms, BNC
Digital signature	M-JPEG watermark
Audio support	no
Alarm inputs	yes
Alarm outputs	1
Alarm handling	Automatic connection setup to a specified IP address (FTP)
Internal storage	no
Compression standard	MJPEG, MPEG4
Resolution max.	704 x 576
Resolution	704x576 (4CIF), 704x288 (2CIF), 352x288 (CIF)
MPEG4 Quality	5 fixed levels and customized Bitrate (from 8kBps ~8MBps)
Transmission rate (Network)	30(25), 24, 15 Fields/sec. (MPEG4 at all resolutions), 2.4MBit/sec. via Network
Image transm. rate max.	25 B./Sek.
Frame rate	25 frames/sec. max. PAL, (recording mode), Picture size: 4 - 64KB (M-JPEG)
Image display	Via Web Browser or Lan-Cam-Viewer Software
USB Interface	Supplied
Ethernet interface	10Base-T, 100Base-TX, RJ-45
Web browser	MS Internet Explorer Vers. 6.0
Network protocols	TCP/IP, DHCP, HTTP, ICMP, FTP, ARP, SMTP, DDNS, DNS, UPnP, PP-PoE
Lens type	fixed focal length
Lens mount	integrated lens
Aspherical technology	no
Focal length	3,6 mm
Aperture range	F2.0
Horizontal angle of view	52°
Iris control	no
MOD (Minimum object distance)	0,5 m
Filter screw size	not available
Access	10 Users simultaneous support

GLD-1401

(Continuation Specifications)

Password protection	yes
PTZ Support	no
Rotation range	360°
Supply voltage	12VDC
Heater	no
Power over Ethernet	no
Power consumption	3.6watts max.
Camera fixing	no
Mounting	surface mount
Temperature range (Operation)	0 ~+50°C
Vandalism resistant	yes
Hidden Cable Management Support	yes
Housing	Indoor
Housing material	Aluminium
Colour (housing)	grey
Colour (bubble)	clear
Protection rating	IP54
Dimensions (HxWxD)	See drawing
Weight	450g
Parts supplied	Lan-Cam-Viewer Software, Power supply 100~240VAC/50Hz - 2A, USB connection cable, Manual
Management Software Support	Aimetis - Symphony, Zelaris IP, NetAvis, GL-Manager, Milestone XProtect Corporate
Certificates	CE

Optional accessories

76053	ZELARIS_IP S04	Server/Client Video Management Software Basic Version, 4 Camera Server license
76003	ZELARIS_IP VC	Client Version for Zelaris_IP Server for one Workstation
76051	ZELARIS_IP V04	Video Management Software for Standalone Systems, Basic Version, 4 Cameras
76058	ZELARIS_IP HL-E	Extension for Control Room Client for further up to 1024 Channels max.
76047	ZELARIS_IP HL-B	Control Room Client Software, Basic Version, Up to max. 1024 Channels
76056	ZELARIS_IP S04E	Software Extension for Zelaris_IP S04 for further 4 Cameras, max. 64 Cameras
76001	ZELARIS V08	Digital Video Network Crosslink, 8 Inputs, not Extentable, USB 2.0 Dongle
76002	ZELARIS V16	Digital Video Network Crosslink, 16 Inputs, not Extentable, USB 2.0 Dongle

GLD-1401

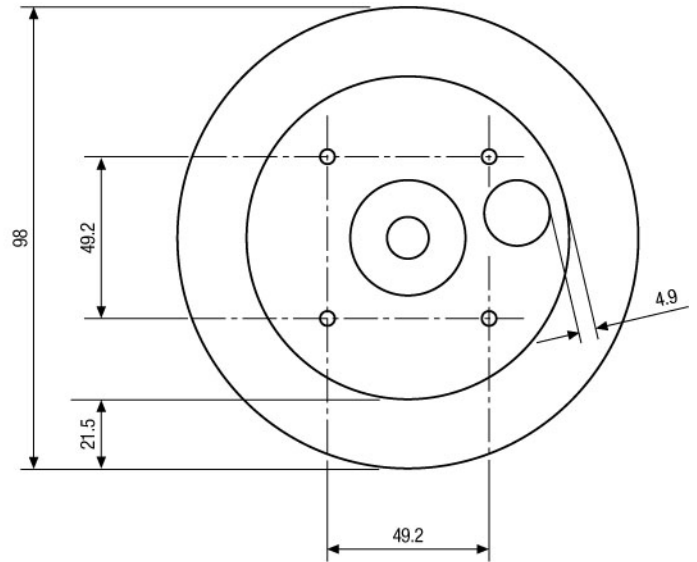
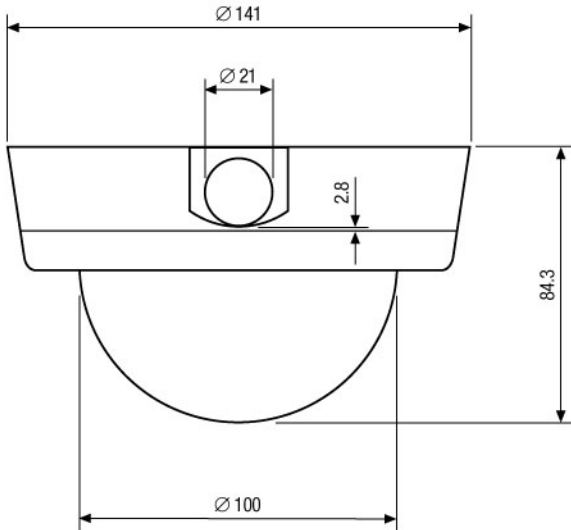
Product information

Viewer Software for the recording of upto 16 cameras GLD-1401/IR. System requirements for the Viewer Software: Standard PC with PIV processor and >1.8GHz system clock. Windows 2000 or Win XP. Network connection: 10/100 Base-Tx. Internet Explorer: 6 or higher. Hard disk 80Gb, depend on recording demands. RAM 512Mb (recommended).

GLD-1401

Home | Security | IP Dome Cameras | Fixed

Technical drawing



Maße/Dimensions: mm