

Video Security



G1214NDDC

F1.4/12mm DC Lens, 1/2" CS Mount

Art-No. 47128



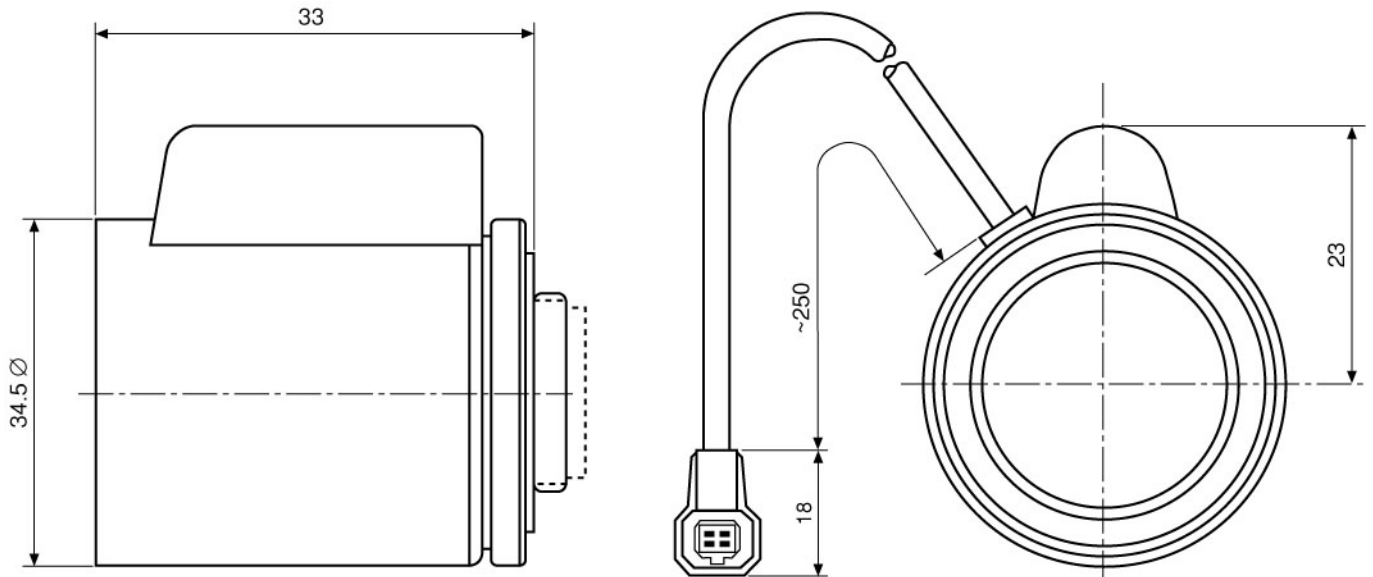
Features

Suitable for 1/2" and 1/3" Colour and B&W Cameras
CS Mount
High Standard of Optical and Mechanical Quality

Without Built-in Auto Iris Amplifier
4-pin Connector for DC Iris Control
Adjustable Slip-ring Mount for Cable Positioning

Specifications

Nominal format size	1/2"
Focal length (f)	12 mm
Aperture range (F)	F1.4-F125
Iris control system	Galvanometer
Horizontal angle of view at nominal format size	30.4°
Minimum object distance (M.O.D.)	0.3 m
Flange focal length	12.5 mm
Screw-in depth	4.5 mm
Filter screw size	M30.5x0.5 mm
Slip-ring mount	340°-360° Variable adjustment range
Cable length	Approx. 25 cm
4-pin plug	Standard
Lens mount	CS
Temperature range	-20°C to +50°C
Dimensions (LxDxH)	33x34.5x23 mm
Weight	35 g



Maße/Dimensions: mm

VIDEOR TECHNICAL E. Hartig GmbH
Carl-Zeiss-Straße 8 · 63322 Rödermark · Germany
Telefon +49 (0) 60 74/8 88-0 · Telefax +49 (0) 60 74/8 88-100
info@videortechnical.com · www.videortechnical.com



VIDEOR TECHNICAL